



## 7 Series Forklifts

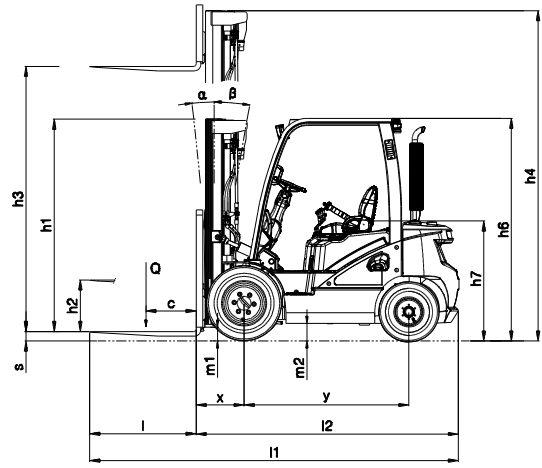
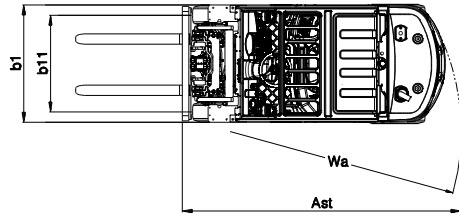
### Pneumatic Diesel 2.0 to 3.5 ton Series

D20S/D25S/D30S/D33S-7, D35C-7 with Yanmar 3.3L  
EPA Interim tier-4, Euro Stage IIIA



*Building your tomorrow today*





### D33S-7

Mast type	Maximum Fork Height	Maximum Lowered Height	Fully Extended Height	Free Lift	Rated Load Capacities													
					D33S-7													
					With Load Backrest	With Load Backrest	Tilt Angle						Load Capacities					
							Single Pneu.		Double Pneu		Single Solid		Single Pneu.		Double Pneu		Single Solid	
FWD	BWD	FWD	BWD	FWD	BWD	FWD	BWD	LC 500mm	LC 24in	LC 500mm	LC 24in	LC 500mm	LC 24in					
	mm	mm	mm	mm	deg	deg	deg	deg	deg	deg	kg	lb	kg	lb	kg	lb		
STD	2,030	1,565	3,290	152	6	10	6	10	6	10	3,250	6,500	3,250	6,500	3,250	6,500		
	2,580	1,840	3,840	152	6	10	6	10	6	10	3,250	6,500	3,250	6,500	3,250	6,500		
	2,950	2,025	4,210	152	6	10	6	10	6	10	3,250	6,500	3,250	6,500	3,250	6,500		
	3,230	2,165	4,490	152	6	10	6	10	6	10	3,250	6,500	3,250	6,500	3,250	6,500		
	3,500	2,415	4,765	152	6	10	6	10	6	10	3,250	6,500	3,250	6,500	3,250	6,500		
	3,800	2,565	5,065	152	6	10	6	10	6	10	3,250	6,500	3,250	6,500	3,250	6,500		
	3,950	2,640	5,215	152	6	10	6	10	6	10	3,175	6,500	3,250	6,500	3,250	6,500		
	4,350	2,840	5,615	152	6	5	6	10	6	10	3,175	6,500	3,250	6,500	3,250	6,500		
4,960	3,140	6,215	152	6	3	6	10	6	8	2,450	5,400	3,125	6,350	3,200	6,500			
FF	2,580	1,840	3,840	640	6	10	6	10	6	10	3,250	6,500	3,250	6,500	3,250	6,500		
	2,950	2,025	4,210	825	6	10	6	10	6	10	3,250	6,500	3,250	6,500	3,250	6,500		
	3,230	2,165	4,490	965	6	10	6	10	6	10	3,250	6,500	3,250	6,500	3,250	6,500		
	3,600	2,415	4,865	1,215	6	10	6	10	6	10	3,250	6,500	3,250	6,500	3,250	6,500		
FFT	3,900	1,890	5,165	690	6	8	6	8	6	8	3,250	6,500	3,250	6,500	3,250	6,500		
	4,290	2,025	5,570	825	6	8	6	8	6	8	3,250	6,500	3,250	6,500	3,250	6,500		
	4,730	2,165	5,990	965	6	3	6	8	6	8	2,900	6,300	3,175	6,450	3,250	6,500		
	5,560	2,515	6,815	1,315	6	3	6	8	6	5	1,750	3,950	2,975	6,050	3,050	6,200		
	6,010	2,665	7,265	1,465	6	3	6	5	6	3	1,350	3,050	2,875	5,850	2,950	6,050		

### D35C-7

Mast type	Maximum Fork Height	Maximum Lowered Height	Fully Extended Height	Free Lift	Rated Load Capacities													
					D35C-7													
					With Load Backrest	With Load Backrest	Tilt Angle						Load Capacities					
							Single Pneu.		Double Pneu		Single Solid		Single Pneu.		Double Pneu		Single Solid	
FWD	BWD	FWD	BWD	FWD	BWD	FWD	BWD	LC 500mm	LC 24in	LC 500mm	LC 24in	LC 500mm	LC 24in					
	mm	mm	mm	mm	deg	deg	deg	deg	deg	deg	kg	lb	kg	lb	kg	lb		
STD	1,800	1,565	3,290	152	6	10	6	10	6	10	3,500	7,000	3,500	7,000	3,500	7,000		
	2,350	1,840	3,610	152	6	10	6	10	6	10	3,500	7,000	3,500	7,000	3,500	7,000		
	2,720	2,025	3,980	152	6	10	6	10	6	10	3,500	7,000	3,500	7,000	3,500	7,000		
	3,000	2,165	4,260	152	6	10	6	10	6	10	3,500	7,000	3,500	7,000	3,500	7,000		
	3,495	2,415	4,760	152	6	10	6	10	6	10	3,500	7,000	3,500	7,000	3,500	7,000		
	3,655	2,565	4,915	152	6	10	6	10	6	10	3,500	7,000	3,500	7,000	3,500	7,000		
	3,805	2,640	5,065	152	6	10	6	10	6	10	3,500	7,000	3,500	7,000	3,500	7,000		
	4,205	2,840	5,465	152	6	8	6	10	6	10	3,425	6,950	3,425	6,950	3,500	7,000		
	4,805	3,140	6,065	152	6	3	6	8	6	8	3,250	6,650	3,275	6,650	3,375	6,850		
FF	2,350	1,840	3,610	640	6	10	6	10	6	10	3,500	7,000	3,500	7,000	3,500	7,000		
	2,720	2,025	3,980	825	6	10	6	10	6	10	3,500	7,000	3,500	7,000	3,500	7,000		
	3,000	2,165	4,260	965	6	10	6	10	6	10	3,500	7,000	3,500	7,000	3,500	7,000		
	3,495	2,415	4,755	1,215	6	10	6	10	6	10	3,500	7,000	3,500	7,000	3,500	7,000		
FFT	3,555	1,890	4,815	690	6	8	6	8	6	8	3,400	7,000	3,400	7,000	3,400	7,000		
	3,960	2,025	5,220	825	6	8	6	8	6	8	3,400	7,000	3,400	7,000	3,400	7,000		
	4,380	2,165	5,640	965	6	5	6	8	6	8	3,375	6,850	3,375	6,850	3,400	7,000		
	4,820	2,335	6,085	1,135	6	3	6	8	6	8	3,250	6,600	3,250	6,650	3,350	6,800		
	5,205	2,515	6,465	1,315	6	3	6	8	6	5	2,600	5,800	3,150	6,450	3,250	6,600		
	5,655	2,665	6,915	1,465	6	3	6	8	6	3	1,975	4,450	3,050	6,200	3,150	6,400		



AUTHORIZED DEALER