



TECHNICAL SPECIFICATIONS

Pneumatic Forklift Trucks

D15S / D18S-5 & D20SC-5

G15S / G18S-5 & G20SC-5

1,500kg to 2,000kg Capacity

PRO5
SERIES



1,500/1,750/2,000 kg Capacities

Engine Powered Forklift Trucks

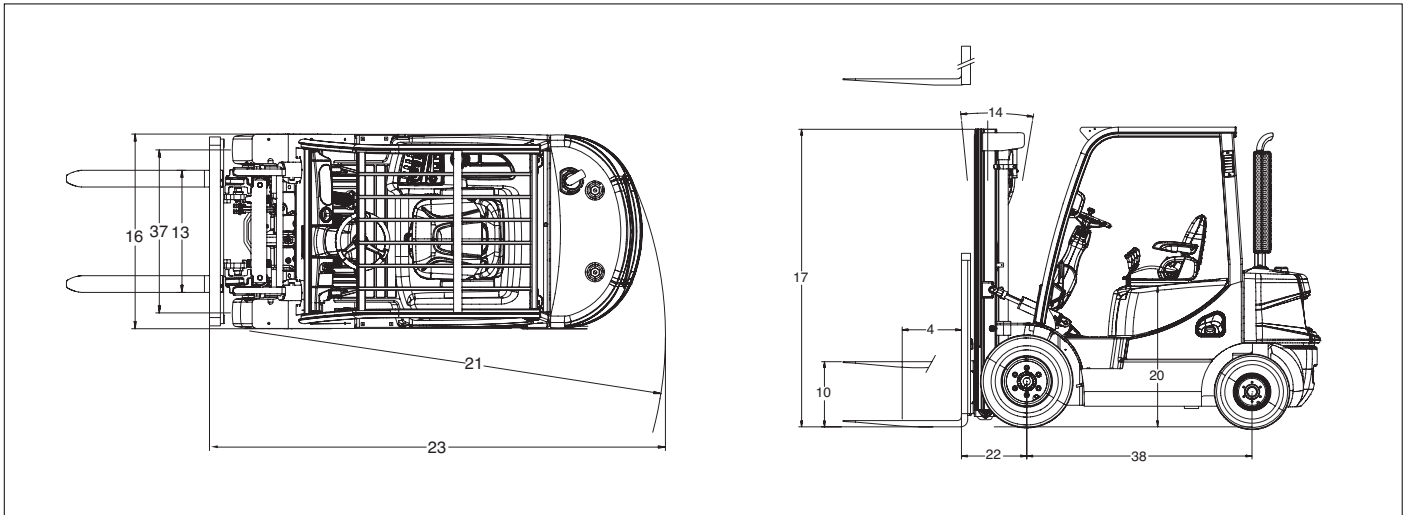
Pneumatic Tire

MAIN VEHICLE SPECIFICATIONS

| | | | | DOOSAN | DOOSAN | DOOSAN | DOOSAN | DOOSAN | DOOSAN | |
|-----------------|---|-------------------------------|--------------------------------|-------------|---------------|---------------|---------------|---------------|---------------|---------------|
| CHARACTERISTICS | 1 | Manufacture | | DOOSAN | DOOSAN | DOOSAN | DOOSAN | DOOSAN | DOOSAN | |
| | 2 | Model | | D15S-5 | D18S-5 | D20SC-5 | G15S-5 | G18S-5 | G20SC-5 | |
| | 3 | Load Capacity | at rated load center | kg | 1,500 | 1,750 | 2,000 | 1,500 | 1,750 | 2,000 |
| | 4 | Load Center | | mm | 500 | 500 | 500 | 500 | 500 | 500 |
| | 5 | Power type | Elec, Diesel, LPG, Gasoline | | Diesel | Diesel | Diesel | LP | LP | LP |
| | 6 | Operator type | | | driver seated | driver seated | driver seated | driver seated | driver seated | driver seated |
| | 7 | Tire type | P:Pnu, E:Solid Soft, C: Cush | | P | P | P | P | P | P |
| DIMENSIONS | 8 | Wheels (x=Driven) | Front/Rear | | X 2 / 2 | X 2 / 2 | X 2 / 2 | X 2 / 2 | X 2 / 2 | X 2 / 2 |
| | 9 | Max. Fork Height | with STD 2-stage mast | mm | 3,300 | 3,300 | 3,300 | 3,300 | 3,300 | 3,300 |
| | 10 | Free Lift | | mm | 135 | 135 | 140 | 135 | 135 | 140 |
| | 12 | Fork Carriage | ISO Class | | II | II | II | II | II | II |
| | 13 | Forks | Length x Width x Thickness | mm | 900x100x35 | 900x100x35 | 900x100x40 | 900x100x35 | 900x100x35 | 900x100x40 |
| | | | Fork Spacing(Min x Max) | mm | 240x905 | 240x905 | 240x905 | 240x905 | 240x905 | 240x905 |
| | 14 | Tilt of Mast | Forward/Backward | deg | 6 / 8 | 6 / 8 | 6 / 8 | 6 / 8 | 6 / 8 | 6 / 8 |
| | 15 | Overall Dimensions | Length to Fork Face | mm | 2,170 | 2,215 | 2,250 | 2,170 | 2,215 | 2,250 |
| | | | Overall Width | mm | 1,070 | 1,070 | 1,070 | 1,070 | 1,070 | 1,070 |
| | | | Mast Lowered Height | mm | 2,185 | 2,185 | 2,185 | 2,185 | 2,185 | 2,185 |
| | | | Mast Extended Height | mm | 4,355 | 4,355 | 4,360 | 4,355 | 4,355 | 4,360 |
| | | | Overhead Guard Height | mm | 2,170 | 2,170 | 2,170 | 2,170 | 2,170 | 2,170 |
| | 19 | Seat Height | | mm | 1,005 | 1,005 | 1,005 | 1,005 | 1,005 | 1,005 |
| 21 | Turning Radius | Minimum outside | mm | 1,977 | 2,022 | 2,050 | 1,977 | 2,022 | 2,050 | |
| 22 | Load Moment Center | | mm | 394 | 394 | 399 | 394 | 394 | 399 | |
| 23 | Aisle 90 degree stacking(add load length & clearance) | | mm | 2,360 | 2,398 | 2,422 | 2,360 | 2,398 | 2,422 | |
| PERFORMANCE | 24 | Travel Speed | Loaded/Unloaded | km/h | 19 / 20 | 19 / 20 | 19 / 20 | 18 / 19 | 18 / 19 | 18 / 19 |
| | 25 | Lifting Speed | Loaded/Unloaded | mm/s | 600 / 630 | 600 / 630 | 600 / 630 | 600 / 650 | 600 / 650 | 600 / 650 |
| | 26 | Lowering Speed | Loaded/Unloaded | mm/s | 500 / 450 | 500 / 450 | 500 / 450 | 500 / 450 | 500 / 450 | 500 / 450 |
| | 28 | Max. drawbar pull | Loaded at 1.0 mph (1.6km/h) | kg | 1,400 | 1,400 | 1,400 | 1,440 | 1,430 | 1,420 |
| | 30 | Max. gradeability | Loaded at 1.0 mph (1.6km/h) | % | 32 | 30 | 29 | 35.5 | 31.0 | 28.5 |
| | WEIGHT | 32 | Total Service Weight, Unloaded | | kg | 2,880 | 3,090 | 3,250 | 2,800 | 3,010 |
| 33 | | Axle Load | Loaded, Front/Rear | kg | 3,800 / 580 | 4,165 / 677 | 4,545 / 705 | 3,775 / 525 | 4,140 / 620 | 4,520 / 650 |
| | | | Unloaded, Front/Rear | kg | 1,340 / 1,560 | 1,290 / 1,840 | 1,260 / 1,990 | 1,320 / 1,485 | 1,270 / 1,740 | 1,235 / 1,935 |
| 35 | | Number of wheels(F/R) | | | 2 / 2 | 2 / 2 | 2 / 2 | 2 / 2 | 2 / 2 | 2 / 2 |
| 36 | Tires | Size, Front | | 6.50x10-12 | 6.50x10-12 | 6.50x10-12 | 6.50x10-12 | 6.50x10-12 | 6.50x10-12 | |
| | | Size, Rear | | 5.00x8-10 | 5.00x8-10 | 5.00x8-10 | 5.00x8-10 | 5.00x8-10 | 5.00x8-10 | |
| 38 | Wheel Base | Distance | mm | 1,400 | 1,400 | 1,400 | 1,400 | 1,400 | 1,400 | |
| 39 | Tread Width | Front/Rear | mm | 890 / 910 | 890 / 910 | 890 / 910 | 890 / 910 | 890 / 910 | 890 / 910 | |
| 40 | Ground Clearance | Loaded at the lowest point | mm | 120 | 120 | 120 | 120 | 120 | 120 | |
| | | Loaded at center of wheelbase | mm | 150 | 150 | 150 | 150 | 150 | 150 | |
| 42 | Brakes | Service | | Foot / Hyd | Foot / Hyd | Foot / Hyd | Foot / Hyd | Foot / Hyd | Foot / Hyd | |
| | | Parking | | Hand / Mech | Hand / Mech | Hand / Mech | Hand / Mech | Hand / Mech | Hand / Mech | |
| 45 | Battery | Volt/Ampere | V/AH | 12 / 60 | 12 / 60 | 12 / 60 | 12 / 45 | 12 / 45 | 12 / 45 | |
| POWER TRAIN | 49 | Engine | Manufacturer/Model | | Kubota/V2403 | Kubota/V2403 | Kubota/V2403 | HMC/G424I(E) | HMC/G424I(E) | HMC/G424I(E) |
| | | | Rated Power(DIN) | HP/rpm | 45.8 / 2,400 | 45.8 / 2,400 | 45.8 / 2,400 | 45.5 / 2,450 | 45.5 / 2,450 | 45.5 / 2,450 |
| | | | | kW/rpm | 34.2 / 2,400 | 34.2 / 2,400 | 34.2 / 2,400 | 33.9 / 2,450 | 33.9 / 2,450 | 33.9 / 2,450 |
| | | | Maximum Torque | kg · m/rpm | 15.9 / 1,600 | 15.9 / 1,600 | 15.9 / 1,600 | 15.1 / 1,600 | 15.1 / 1,600 | 15.1 / 1,600 |
| | 52 | | Cylinders/Displacements | cc | 4 / 2,434 | 4 / 2,434 | 4 / 2,434 | 4 / 2,359 | 4 / 2,359 | 4 / 2,359 |
| 55 | Transmission | Type | | powershift | powershift | powershift | powershift | powershift | powershift | |
| | | Number of Speed (Fwd/Rev) | | 1 / 1 | 1 / 1 | 1 / 1 | 1 / 1 | 1 / 1 | 1 / 1 | |
| 57 | Hydraulic Pressure | System | bar | 176 | 199 | 216 | 176 | 199 | 216 | |
| | | Attachment | bar | 176 | 199 | 216 | 176 | 199 | 216 | |

Note: Specification values quoted in this specification sheet has been rounded. Performance may vary due to operation conditions.
Products and specifications are subject to improvement and change without prior notices.

MAST SPECIFICATIONS and RATED CAPACITIES



D/G15S-5

| Mast type | Maximum Fork Height | Maximum Lowered Height | Fully Extended Height | Free Lift | Rated Load Capacities | | |
|-----------|---------------------|------------------------|-----------------------|-----------|-----------------------|---------|-----------------|
| | | | | | D/G15S-5 | | |
| | | | | | Tilt Angle | | Load Capacities |
| | mm | mm | mm | mm | FWD deg | BWD deg | LC 500mm kg |
| STD | 3000 | 2035 | 4055 | 135 | 6 | 8 | 1500 |
| | 3300 | 2185 | 4355 | 135 | 6 | 8 | 1500 |
| | 3500 | 2285 | 4555 | 135 | 6 | 8 | 1500 |
| | 3700 | 2385 | 4755 | 135 | 6 | 8 | 1500 |
| | 4000 | 2585 | 5055 | 135 | 6 | 8 | 1500 |
| FF | 2700 | 1885 | 3755 | 880 | 6 | 8 | 1500 |
| | 3000 | 2035 | 4055 | 1030 | 6 | 8 | 1500 |
| | 3300 | 2185 | 4355 | 1180 | 6 | 8 | 1500 |
| FFT | 4000 | 1915 | 5055 | 910 | 6 | 8 | 1500 |
| | 4500 | 2080 | 5555 | 1075 | 6 | 8 | 1475 |
| | 4750 | 2165 | 5805 | 1160 | 6 | 8 | 1425 |
| | 5000 | 2280 | 6055 | 1275 | 6 | 5 | 1400 |
| | 5500 | 2515 | 6555 | 1510 | 6 | 5 | 1275 |
| | 6000 | 2680 | 7055 | 1675 | 6 | 5 | 975 |

D/G18S-5

| Mast type | Maximum Fork Height | Maximum Lowered Height | Fully Extended Height | Free Lift | Rated Load Capacities | | |
|-----------|---------------------|------------------------|-----------------------|-----------|-----------------------|---------|-----------------|
| | | | | | D/G18S-5 | | |
| | | | | | Tilt Angle | | Load Capacities |
| | mm | mm | mm | mm | FWD deg | BWD deg | LC 500mm kg |
| STD | 3000 | 2035 | 4055 | 135 | 6 | 8 | 1750 |
| | 3300 | 2185 | 4355 | 135 | 6 | 8 | 1750 |
| | 3500 | 2285 | 4555 | 135 | 6 | 8 | 1750 |
| | 3700 | 2385 | 4755 | 135 | 6 | 8 | 1750 |
| | 4000 | 2585 | 5055 | 135 | 6 | 8 | 1750 |
| FF | 2700 | 1885 | 3755 | 880 | 6 | 8 | 1750 |
| | 3000 | 2035 | 4055 | 1030 | 6 | 8 | 1750 |
| | 3300 | 2185 | 4355 | 1180 | 6 | 8 | 1750 |
| FFT | 4000 | 1915 | 5055 | 910 | 6 | 8 | 1750 |
| | 4500 | 2080 | 5555 | 1075 | 6 | 8 | 1750 |
| | 4750 | 2165 | 5805 | 1160 | 6 | 8 | 1500 |
| | 5000 | 2280 | 6055 | 1275 | 6 | 5 | 1575 |
| | 5500 | 2515 | 6555 | 1510 | 6 | 5 | 1200 |
| | 6000 | 2680 | 7055 | 1675 | 6 | 5 | 900 |

D/G20SC-5

| Mast type | Maximum Fork Height | Maximum Lowered Height | Fully Extended Height | Free Lift | Rated Load Capacities | | |
|-----------|---------------------|------------------------|-----------------------|-----------|-----------------------|---------|-----------------|
| | | | | | D/G20SC-5 | | |
| | | | | | Tilt Angle | | Load Capacities |
| | mm | mm | mm | mm | FWD deg | BWD deg | LC 500mm kg |
| STD | 3000 | 2035 | 4060 | 140 | 6 | 8 | 2000 |
| | 3300 | 2185 | 4360 | 140 | 6 | 8 | 2000 |
| | 3500 | 2285 | 4560 | 140 | 6 | 8 | 2000 |
| | 3700 | 2385 | 4760 | 140 | 6 | 8 | 2000 |
| | 4000 | 2585 | 5060 | 140 | 6 | 8 | 2000 |
| FF | 2700 | 1885 | 3760 | 880 | 6 | 8 | 2000 |
| | 3000 | 2035 | 4060 | 1030 | 6 | 8 | 2000 |
| | 3300 | 2185 | 4360 | 1180 | 6 | 8 | 2000 |
| FFT | 4000 | 1915 | 5060 | 910 | 6 | 8 | 2000 |
| | 4500 | 2080 | 5560 | 1075 | 6 | 8 | 1700 |
| | 4750 | 2165 | 5810 | 1160 | 6 | 5 | 1750 |
| | 5000 | 2280 | 6060 | 1275 | 6 | 5 | 1525 |
| | 5500 | 2515 | 6560 | 1510 | 6 | 5 | 1150 |
| | 6000 | 2680 | 7060 | 1675 | 6 | 5 | 850 |



PRO5 SERIES



G15S / G18S-5 & G20SC-5
1,500kg 1,750kg 2,000kg
LP, Pneumatic Tire



D15S / D18S-5 & D20SC-5
1,500kg 1,750kg 2,000kg
Diesel, Pneumatic Tire

PSC0911B2 (June.2011)



Head Office : 7-11, Hwasu-Dong, Dong-Gu, Incheon, Korea.
Seoul Office : 22nd floor, Doosan Tower Bldg, Euljiro 6-Ga
Jung-Gu, Seoul, Korea.
Tel : 82-2-3398-8632 Fax : 82-2-3398-8619

AUTHORIZED DEALER

Product and specifications are subject to improvement and change without notice.