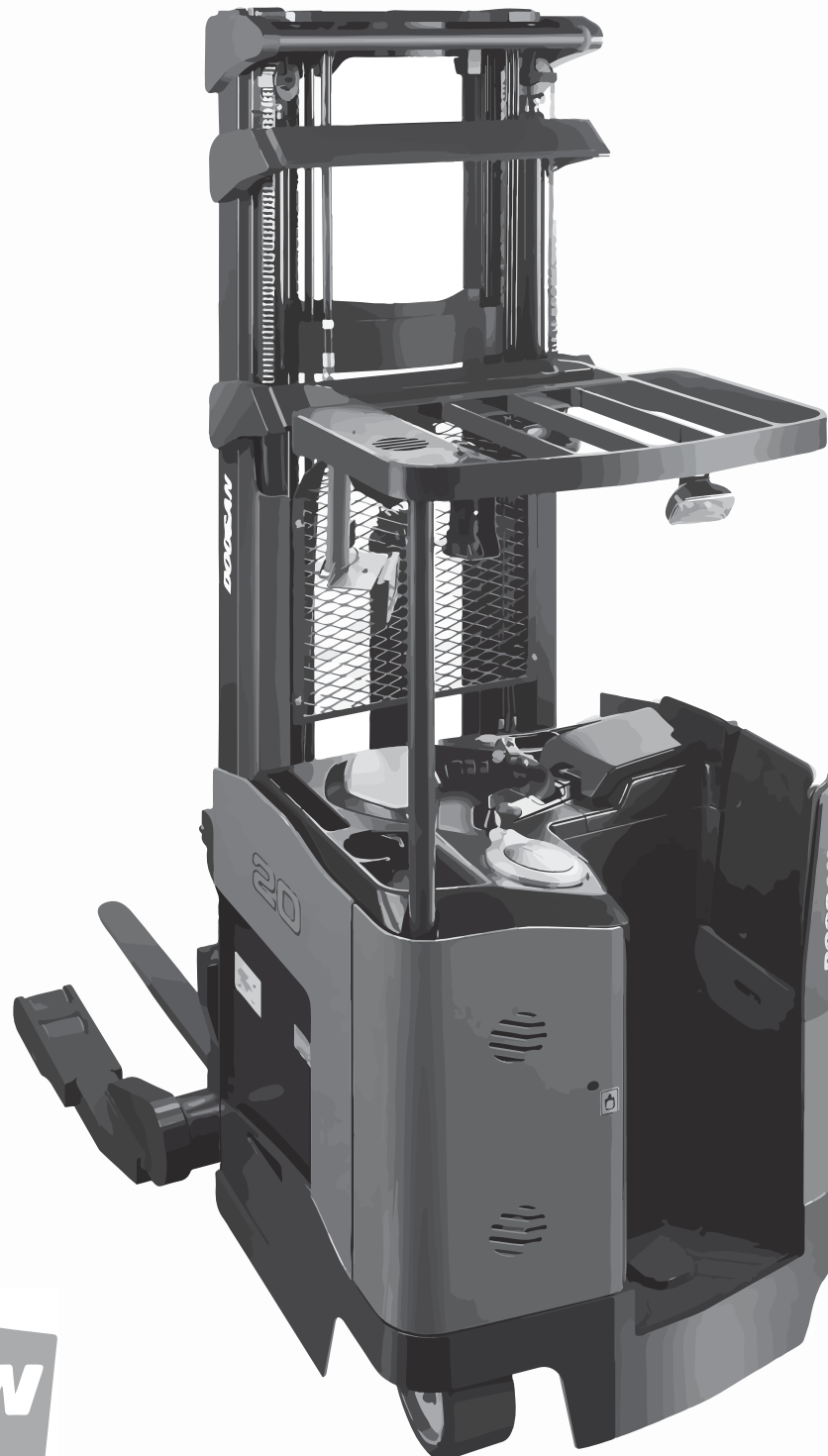


Electric Pantograph Reach Truck

3,500lbs - 4,000lbs Capacity

BR18/20SP-7

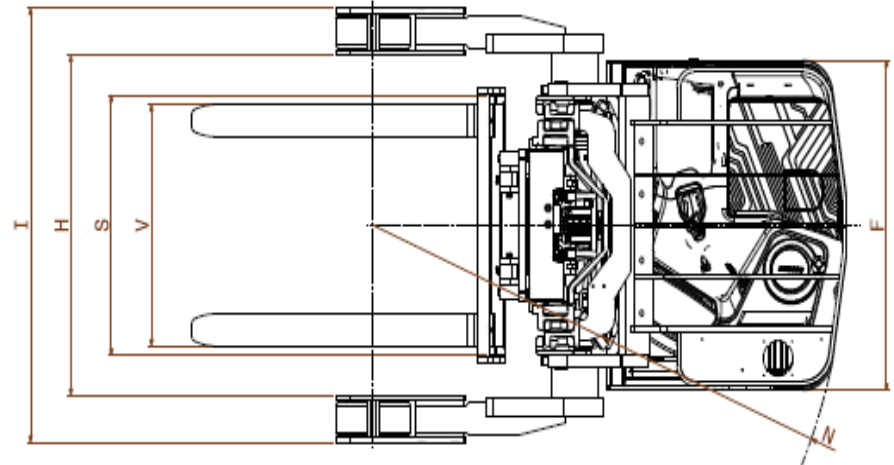
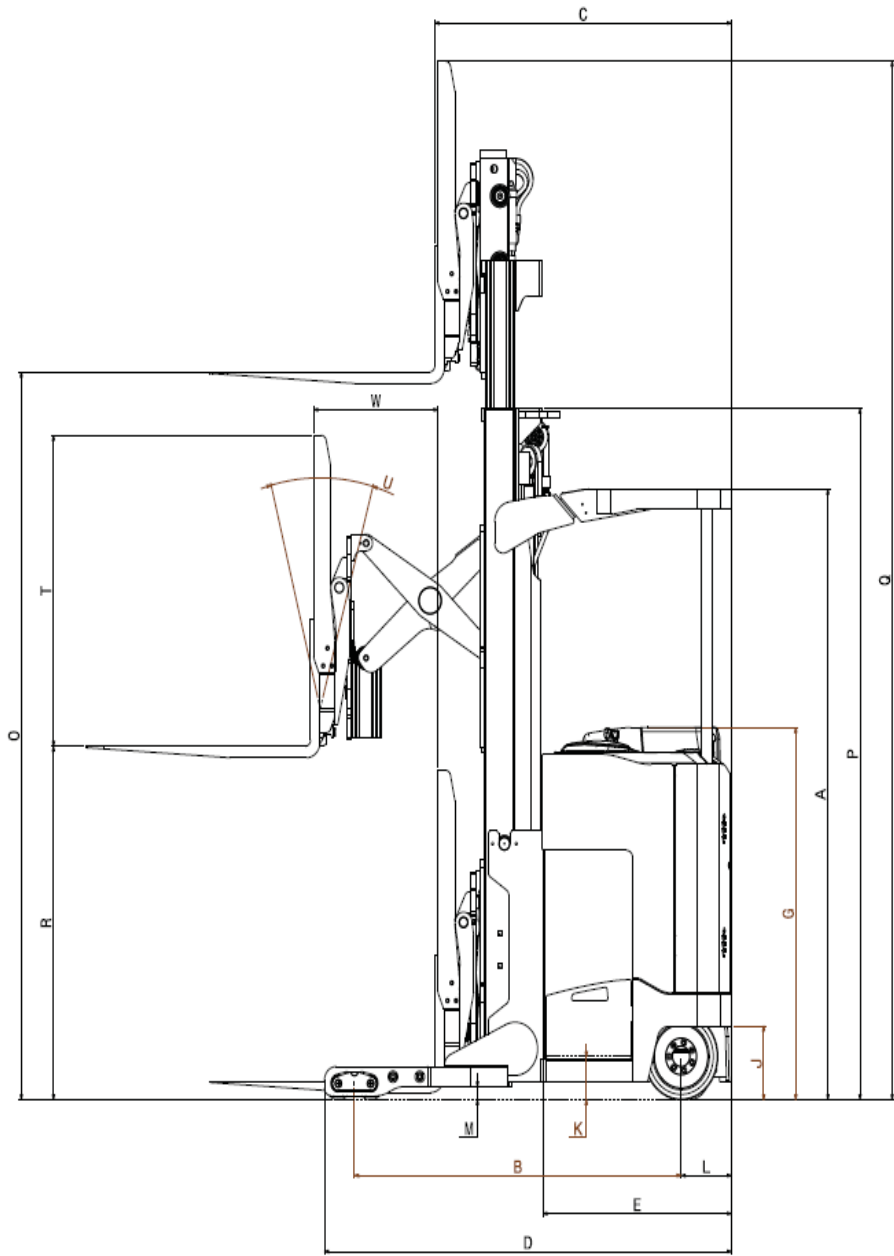


BR18/20SP-7 SPECIFICATION SHEET

REV : 2014.10.13

	Manufacturer		DOOSAN				
	Model		BR18SP-7		BR20SP-7		
General	Capacity		lb(kg)	3500 (1600)	3500 (1600)	4000 (1800)	4000 (1800)
	Battery Compartment		in	14.4	16.4	16.4	20.9
	Load Center		in(mm)	24 (600)			
	System Voltage		V	36			
	Operator Type			Rider Reach			
	Tire Type: Load/Caster/Drive			Poly / Poly / Poly (Vulkollan)			
Wheel, Load/Caster (Drive x)			4 / 2 (1x)				
Weight	Total Weight (34" Base Leg, FFT 240", /w LBR,Fork)			7255 (3291)	7592 (3444)	7592 (3444)	8283 (3757)
	Weight W/out Battery at 240" MFH Mast (34" Base Leg)		lb(kg)	5655 (2565)	5692 (2582)	5692 (2582)	5783 (2623)
	With Load,Front at 240"		lb(kg)	6336 (2874)	6891 (3126)	6891 (3126)	7542 (3421)
	With Load,Rear at 240"		lb(kg)	4447 (2017)	4229 (1918)	4229 (1918)	4268 (1936)
	W/out Load,Front at 240"		lb(kg)	2610 (1184)	2812 (1275)	2812 (1275)	3151 (1429)
	W/out Load,Rear at 240"		lb(kg)	4645 (2107)	4781 (2169)	4781 (2169)	5132 (2328)
	14.4" Battery Min		lb(kg)	1600 (730)			
	16.4" Battery Min		lb(kg)	1900 (860)			
	18.4" Battery Min		lb(kg)	-			
20.9" Battery Min		lb(kg)	2500 (1130)				
Dimensions - Chassis	Guard Height (From Ground)	A	in(mm)	95 (2410) (91" at 198" Mast)*			
	Wheel Base	B	in(mm)	58 (1475)	60 (1525)	60 (1525)	64.5 (1640)
	Head Length (Length to Fork Face + Side Shift)	C	in(mm)	52.5 (1335)	54.5 (1385)	54.5 (1385)	59 (1500)
	Truck Length	D	in(mm)	72.8 (1850)	74.8 (1900)	74.8 (1900)	79.3 (2015)
	Power Unit Length	E	in(mm)	32.7(830)	34.7(880)	34.7(880)	39.2 (995)
	Power Unit Width	F	in(mm)	40.5 (1030)			
	Power Unit Height	G	in(mm)	57.8 (1468)			
	Base Leg Opening (Inside)	H	in	34, 36, 38, 40, 42, 44			
	Base Leg Width (Outside)	I	in	Inside Plus 11.4"			
	Base Leg Width		in(mm)	5.7 (146)			
	Step Height	J	in(mm)	11.4 (290)			
	Battery Roller Height	K	in(mm)	6.7 (170)			
	Drive Axle to End of CWT	L	in(mm)	9.25 (235)			
	Underclearance (Center of Wheelbase)	M	in(mm)	2 (50)			
	Outside Turning Radius	N	in(mm)	67.4 (1713)	69.4 (1763)	69.4 (1763)	73.9 (1878)
	Right Angle Stack Aisle (48"x40" in pallet) Add 2" for sideshift		in(mm)	See the RASA Sheet			
	Operator Compartment			-			
	Height		in(mm)	81.3 (2065)			
	Length		in(mm)	17.7 (450)			
	Width		in(mm)	17.9 (454)			
Track (Tread) / Rear		in(mm)	28.5 (725)				
Dimensions - Front End	Maximum Fork Height	O	in(mm)	See the Mast Chart			
	Mast Lowered Height	P	in(mm)	See the Mast Chart			
	Mast Extended Height (With STD LBR)	Q	in(mm)	See the Mast Chart			
	Free Lift (With STD LBR)	R	in(mm)	See the Mast Chart			
	Carriage Width	S	in(mm)	See the Mast Chart			
	LBR Height	T	in(mm)	See the Mast Chart			
	Tilt Angle Forward/Backward	U	deg	3 / 4			
	Fork Size (H x W x L)		in(mm)	1.75 (45) x 4 (100) x 42 (1050)			
	Fork Adjustment (Min / Max)	V	in(mm)	9 (240) / 29.5 (750)			
Reach Stroke	W	in(mm)	22.8 (580)				
Battery Compartment	Battery Size A - 14.4"		in(mm)	14.4 (366) x 38.75 (985) x 32 (810)			
	Battery Size B - 16.4"		in(mm)	16.4 (416) x 38.75 (985) x 32 (810)			
	Battery Size C - 18.4"		in(mm)	-			
	Battery Size D - 20.9"		in(mm)	20.9 (531) x 38.75 (985) x 32 (810)			
Ref. Battery Size	Battery Size A - 14.4"		in(mm)	13.37 (340) x 38.33 (974) x 30.56 (776)			
	Battery Size B - 16.4"		in(mm)	15.62 (397) x 38.33 (974) x 30.56 (776)			
	Battery Size C - 18.4"		in(mm)	-			
	Battery Size D - 20.9"		in(mm)	20.21 (513) x 38.33 (974) x 30.56 (776)			
Tire Size	Tire Size - Drive (Dia. x Width)		in(mm)	13.5 x 5.5 (344 x 140)			
	Tire Size - Caster (Dia. x Width)		in(mm)	7 x 2.44 (175 x 62)			
	Tire Size - Load Wheels (Dia. x Width)		in(mm)	5 x 4 (125 x 100)			
Performance	Travel Speed Tractor First (Empty/Rated Load)		mph (km)	7.5 (12)			
	Travel Speed Forks First (Empty/Rated Load)		mph (km)	7.5 (12)			
	Lift Speed Loaded		fpm (mm/s)	69 (350)			65 (330)
	Lift Speed Empty		fpm (mm/s)	120 (600)			
	Lower Speed Loaded		fpm (mm/s)	110 (550)			
	Lower Speed Empty		fpm (mm/s)	110 (550)			
	Reach Speed (In/Out), Empty		sec	Adjustable			
	Gradeability - Loaded - Maximum		%	10			
Gradeability - Empty - Maximum		%	10				

*OHG Height Lower For 198" Mast



BR18/20SP-7 SPECIFICATION SHEET

REV : 2014.10.13

Mast Chart BRSP-7

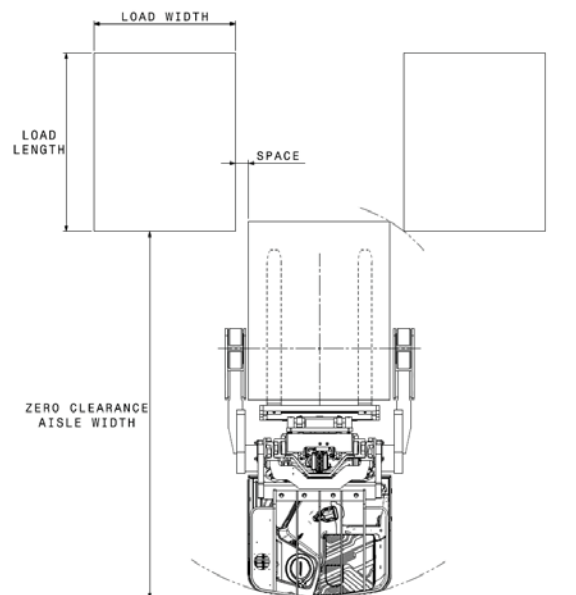
BR18SP-7									
Mast Type	Max. Fork Height	Overall Height			Free Lift W/ STD LBR	Fork H x W x L (STD)	Carriage Width (STD)	Tilt Range	
		Lowered	W/STD LBR	Extend W/ STD LBR				FWD	BWD
		<i>in(mm)</i>	<i>in(mm)</i>	<i>in(mm)</i>	<i>in(mm)</i>	<i>in(mm)</i>	<i>in</i>	<i>in(mm)</i>	deg.
FFT	198 (5030)	90.8 (2305)	48 (1220)	246.9 (6270)	43.3 (1100)	1.75 x 4 x 42 (45 x 100 x 1050)	32 (813)	3	4
	210 (5330)	94.7 (2405)	48 (1220)	258.7 (6570)	47.2 (1200)	1.75 x 4 x 42 (45 x 100 x 1050)	32 (813)	3	4
	240 (6100)	105.9 (2690)	48 (1220)	288.8 (7335)	58.4 (1485)	1.75 x 4 x 42 (45 x 100 x 1050)	32 (813)	3	4
	258 (6550)	111.9 (2840)	48 (1220)	306.5 (7785)	64.3 (1635)	1.75 x 4 x 42 (45 x 100 x 1050)	32 (813)	3	4
	270 (6890)	116.4 (2955)	48 (1220)	319.9 (8125)	68.9 (1750)	1.75 x 4 x 42 (45 x 100 x 1050)	32 (813)	3	4
	289 (7340)	125.2 (3180)	48 (1220)	337.8 (8580)	77.7 (1975)	1.75 x 4 x 42 (45 x 100 x 1050)	32 (813)	3	4

BR20SP-7									
Mast Type	Max. Fork Height	Overall Height			Free Lift W/ STD LBR	Fork H x W x L	Carriage Width (STD)	Tilt Range	
		Lowered	STD LBR	Extend W/ STD LBR				FWD	BWD
		<i>in(mm)</i>	<i>in(mm)</i>	<i>in(mm)</i>	<i>in(mm)</i>	<i>in(mm)</i>	<i>in</i>	<i>in(mm)</i>	deg.
FFT	198 (5030)	90.8 (2305)	48 (1220)	246.9 (6270)	43.3 (1100)	1.75 x 4 x 42 (45 x 100 x 1050)	32 (813)	3	4
	210 (5330)	94.7 (2405)	48 (1220)	258.7 (6570)	47.2 (1200)	1.75 x 4 x 42 (45 x 100 x 1050)	32 (813)	3	4
	240 (6100)	105.9 (2690)	48 (1220)	288.8 (7335)	58.4 (1485)	1.75 x 4 x 42 (45 x 100 x 1050)	32 (813)	3	4
	258 (6550)	111.9 (2840)	48 (1220)	306.5 (7785)	64.3 (1635)	1.75 x 4 x 42 (45 x 100 x 1050)	32 (813)	3	4
	270 (6890)	116.4 (2955)	48 (1220)	319.9 (8125)	68.9 (1750)	1.75 x 4 x 42 (45 x 100 x 1050)	32 (813)	3	4
	289 (7340)	125.2 (3180)	48 (1220)	337.8 (8580)	77.7 (1975)	1.75 x 4 x 42 (45 x 100 x 1050)	32 (813)	3	4
	300 (7610)	128.8 (3270)	48 (1220)	348.5 (8850)	81.3 (2065)	1.75 x 4 x 42 (45 x 100 x 1050)	32 (813)	3	4
	318 (8075)	138.0 (3505)	48 (1220)	367.0 (9320)	90.5 (2300)	1.75 x 4 x 42 (45 x 100 x 1050)	32 (813)	3	4

Truck With 16.4" Battery & 42" OD & 4" Space					
Pallet length	Pallet width				
	in (mm)	36 (914)	40 (1016)	44 (1118)	48 (1219)
	36 (914)	86.5 (2198)	86.1 (2187)	85.6 (2174)	85.1 (2162)
	40 (1016)	91.3 (2319)	90.9 (2310)	90.6 (2301)	90.2 (2291)
	44 (1118)	95.8 (2434)	95.5 (2426)	95.2 (2419)	94.9 (2411)
	48 (1219)	100.2 (2545)	99.9 (2538)	99.7 (2532)	99.4 (2525)

NOTE :

- Aisle width values shown are based on a 16.4 in. battery compartment and a 42 in. base leg outside dimension (34 in. inside dimension).
- Subtract 2 in. (50mm) for 14.4 in. battery compartment
- Add 4.5 in. (115mm) for 20.9 in. battery compartment
- Add a minimum of 6 in. (150mm) to 12 in. (305mm) for easy maneuvering



Doosan Industrial Vehicle America Corp.
 2905 Shawnee Industrial Way
 Suwanee, GA 30024
 T: 770-831-2200 F: 770-831-2250
www.doosanlift.com