
TECHNICAL DATA SHEET

MT-X 1033 MINING

Manitou Telescopic



MT-X 1033 MINING

Lifting	
Max. capacity	3 300 kg
Max. lifting height	9,98 m
Max. outreach	7,15 m
Break-out force with bucket	5330 daN
Boom movements speeds (unladen)	
Lifting / Lowering	6,7 / 5,4 secs
Extension / Retraction	13,6 / 8,7 secs
Crowd / Dump	2,7 / 2,3 secs
Engine	
Type	PERKINS 1104D-44 TA
Cubic capacity	4400 cm ³
Power	101 HP/74.5 kW
Max. torque	410 Nm - 1400 rpm
Injection	direct
Cooling	water
Hydraulics	
Pump	gear type with flow divider 100 l/min - 250 bar
Electrical	
Battery	12 V - 110 Ah - 750 A EN
Alternator	12 V - 85 A - Denso Ai115
Starter	12 V - 3.2 kW AZE
Transmission	
Gear box	TURNER
Type	mechanical with Torque Converter
Forward/Reverse Selector	electro-hydraulic
Torque Converter	SACHS
Number of gears	(forward/reverse) 4/4
Front & Rear axles / Differential	DANA / Limited slip front rigid - rear oscillating
Drive Wheels	permanent 4 wheel drive
Tyres	400/80-24
optional	NOKIAN 12.00-20 Armor Gard Mine
Max. travel speed (may vary according to applicable regulations)	27 kph
Steering mode	4 wheel steer - 3 steering modes
Uphill/downhill safe operating grade	up to 1:4 (25%)
Laden drawbar pull	9100 daN
Towable mass on trailer	
with no braking	1500 kg
with independent braking	3000 kg
with assisted braking (hydraulic or pneumatic)	6000 kg

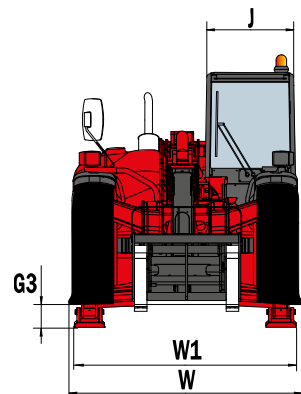
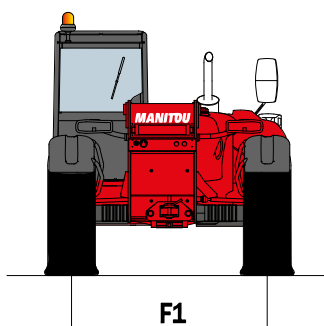
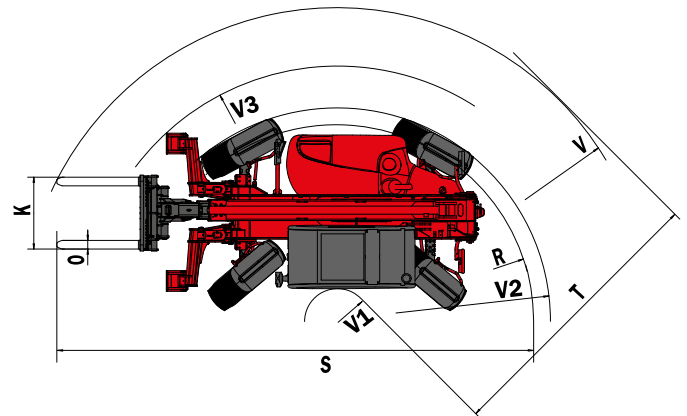
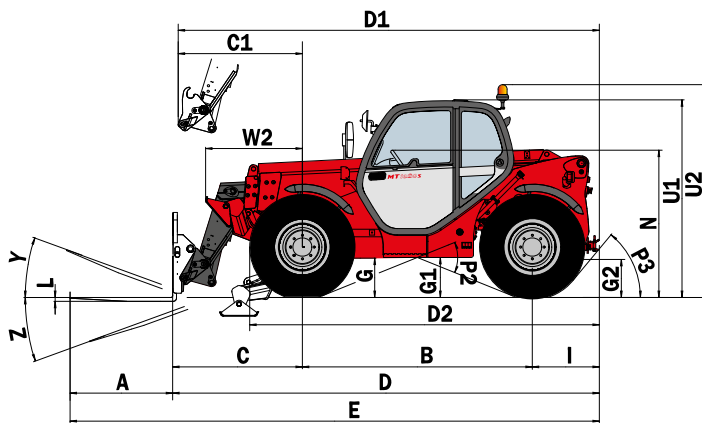
Braking & Steering	
Type	mining Fail-Safe Braking System
Service brake	Hydraulic power brake
Type	dual acting master cylinder with independent lines to multi-disk brakes in oil bath on front & rear axles
Control	foot-operated for front & rear axles
Parking/Emergency brake	Hydraulic power brake
Type	spring applied hydraulic release (SAHR) on front & rear axles
Control	electro-hydraulic. Cabin manual hydraulic lever. automatic application on engine shut-down
Slope holding performance	25%
Operator test & warning	daily service & park brake test switch procedure warning: Low brake pressure, residual service brake pressure, loss of cabin driver presence
Standards/Guidelines	based on ISO 3450:2011
Emergency steering	based on ISO 5010:1992
Control systems & Warning	
Stability	longitudinal stability limiter with movement cut out
Critical functions monitoring & engine shut down	Manitou Guardian Angel mining system - level 1 engine-steering-hydraulic-speed-tip over
Pre-Start Warning Horn	5s
General protections - Fire prevention & control	
Cabin	ROPS ISO:3471 - FOPS ISO: 3449 Level 1 and 2
Body	boom cylinder rod, lights & cabin guards - metallic self cleaning engine pre-filter
Electricals	
Fuse board & main harness	Ultimate Fuse Board protection system
Wiring and other electrical components	Ultimate Wiring protection system (standard in Australia MDG15, option other country)
Exhaust in accordance with EPA CTM 022 1995, EPA CTM 030 1997, UNI EN 126719:2013, UNI EN 13284-1:2003, including variable engine rpm cycles to simulate real working environment.	MANITOU Safe Exhaust System - purifier & diluter reduce exposure to toxic gas: -85% (volume) -50% (mass) -60% (temperature)
Exhaust protection	Exhaust lines & muffler insulation blanket (standard in Australia MDG15, option other country)
Fire prevention & control	
Extinguisher(s)	2x 9 kg Powder
Prevention	Engine Compartment Fire Prevention System (standard in Australia MDG15, option other country)

MT-X 1033 MINING

Ergonomics, access, visibility	
Cabin movements controls	Load Place System (LPS) dual levers with proportional hydraulic functions
LED Lights & Cameras	360° Visibility Safety System
Work lights	LED 3200 lux (2x front 2x rear 2x boom)
Cameras	blind spots on right hand side and rear
Other	fwd/rev directionnal lights, rear light on when rev
Markings, Signs, Labelling	warning & danger, controls & pre-op, reflective hi-visibility, access & maintenance point
Isolation points & miscellaneous	
Emergency stops	cabin x1 - External x2
Isolation	dual pole battery + starter isolators, fuel isolation valve, jump start receptacle, all inside engine bay
Miscellaneous	radiator safety cap belts & pulleys safety guards wheel chocks x2 boom cylinder lock loose wheel nut indicators
Capacities	
Hydraulic oil	128 l
Fuel	120 l
Noise and vibration	
Noise at driving position (LpA)	76 dB
Environmental noise (LwA)	104 dB
Vibration to whole hand/arm	<2.5 m/s ²
Vibration on driver's body	1.015 m/s ²
Weight (Access version)	7970 kg Unladen (with forks)
Weight (not Access version)	7525 kg Unladen (with forks)

A (mm)	1200
B (mm)	2690
C (mm)	1513
C1 (mm)	1602
D (mm)	4930
D1 (mm)	5081
D2 (mm)	4050
E (mm)	6192
F (mm)	1846
F1 (mm)	1846
G (mm)	455
G1 (mm)	440
G2 (mm)	440
G3 (mm)	220
I (mm)	789
J (mm)	865
K (mm)	1040
L (mm)	45
N (mm)	1690
O (mm)	123
P2 (°)	44
P3 (°)	53
R (mm)	3545
S (mm)	7810
T (mm)	3640
U1 (mm)	2300
U2 (mm)	2550
V (mm)	4950
V1 (mm)	1310
V2 (mm)	3800
V3 (mm)	4200
W (mm)	2250
W1 (mm)	2210
W2 (mm)	1132
Y (°)	11,9
Z (°)	113,7

A (mm)	
B (mm)	
C (mm)	
C1 (mm)	
D (mm)	
D1 (mm)	
D2 (mm)	
E (mm)	
F (mm)	
F1 (mm)	
G (mm)	
G1 (mm)	
G2 (mm)	
G3 (mm)	
I (mm)	
J (mm)	
K (mm)	
L (mm)	
N (mm)	
O (mm)	
P2 (°)	
P3 (°)	
R (mm)	
S (mm)	
T (mm)	
U1 (mm)	
U2 (mm)	
V (mm)	
V1 (mm)	
V2 (mm)	
V3 (mm)	
W (mm)	
W1 (mm)	
W2 (mm)	
Y (°)	
Z (°)	

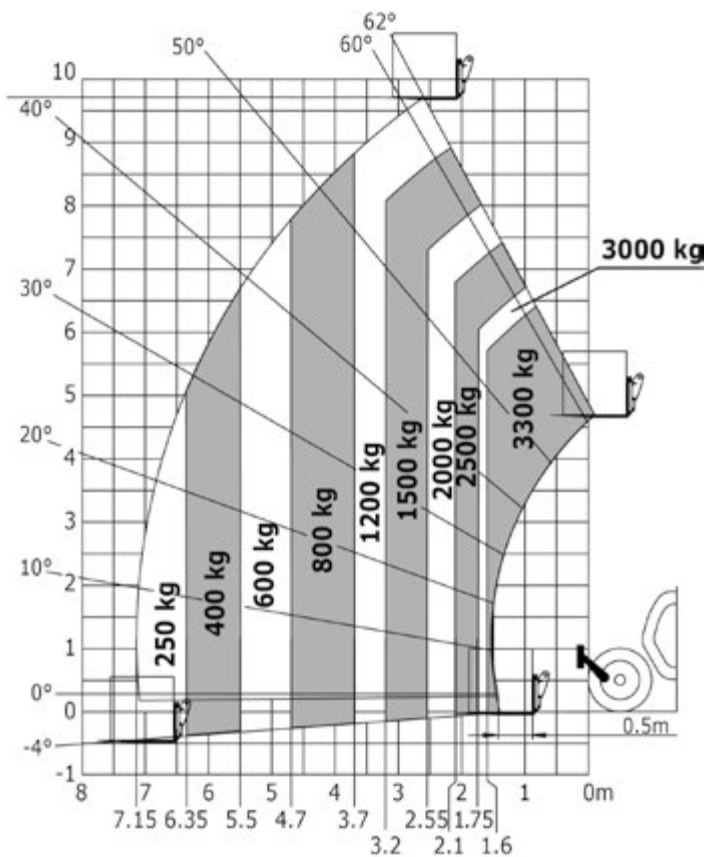


MT-X 1033 MINING

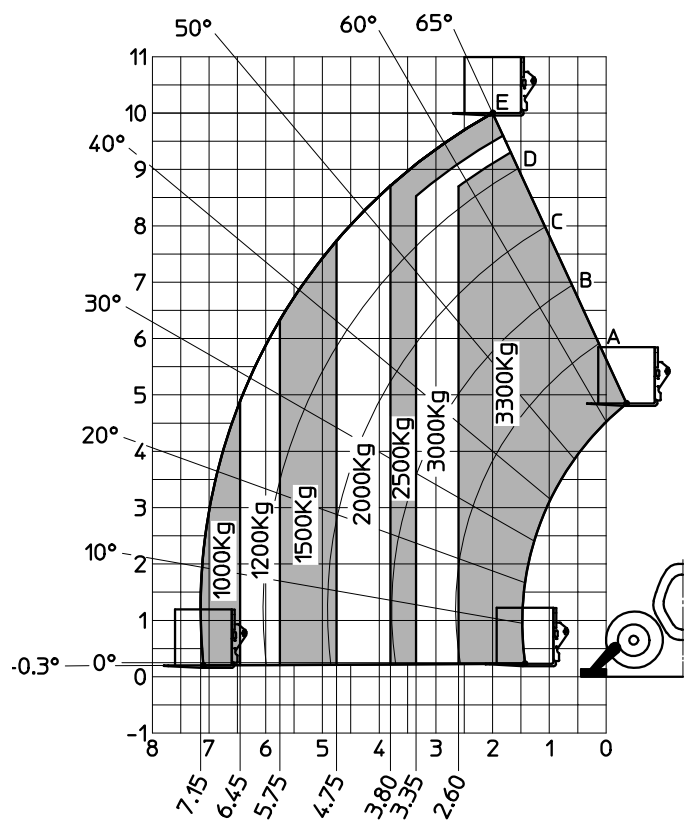
OPTIONAL EQUIPMENT
Fail safe braking and steering
Emergency steering (in option for non access version)
Control systems & warnings
Stability control: RCL Rated Capacity Limiter (3B6)
External overload light tower indicator for RCL (Green, Yellow, Red)
Guardian angel mining system - Level 2
Bi-axial spirit level indicator (standard in Australia, option for other countries)
Tyre pressure & temperature monitoring
General protection
Hydraulic hose sleeve burst protection sleeving (external hoses exposed to personnel)
Cabin guard: roof
Guard: A/C condensor
Elevated breathers
Side bumper - Protector bar (standard in Australia, option for other countries)
Steel mudguards
Ultimate wiring protection system (standard in Australia, option for other countries)
Tyre: Nokian 12.00-20 Armor Gard Mine

Fire prevention & control
Engine Compartment Fire Prevention System (standard in Australia, option for other countries)
Exhaust line / Muffler Insulation Blanket (standard in Australia MDG15, option other country)
Fire suppression system - Manual & automatic activation
Cabin extinguisher
Ergonomics access visibility
Seat Tractor-Back shape + Autoretracting Seat Belt 75mm wide
Air conditioning
Isolation points & miscellaneous
Battery, Starter isolation points + Jump Start Receptacle In External Weatherproof Enclosure
Fast fill dry break point - Fuel
Fast fill dry break point - Hydraulic oil
Central Greasing System
Auxiliary hydraulic-Electric quick multi-coupling plate system
Easy Connect System - Attachment hydraulic hoses
Hydraulic locking of attachment on T.S.
Predisposition
Platform predisposition
Tyre handler predisposition

**Machine on tyres with forks
(Norm EN1459-B)**

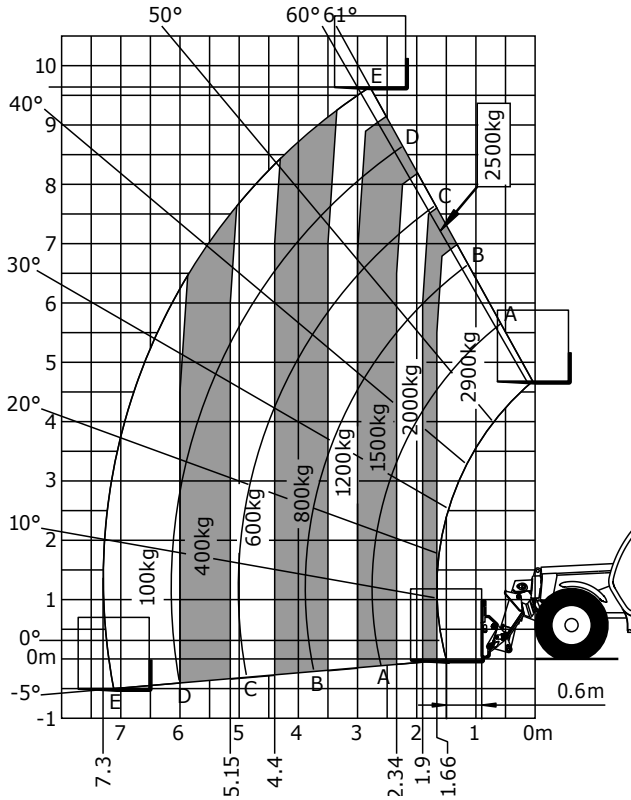


**Machine on Stabilizer with forks
(Norm EN1459-B)**

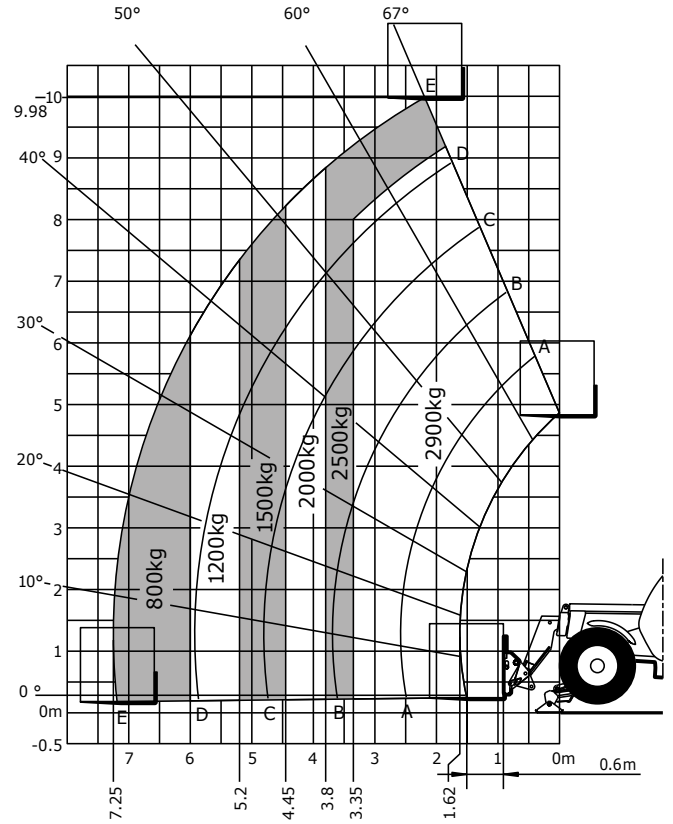


MT-X 1033 MINING

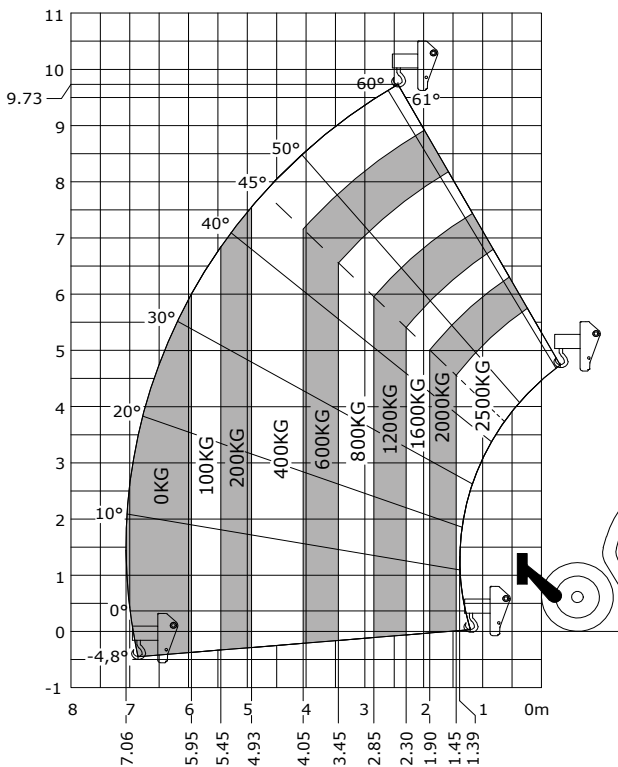
**Machine on tyres with forks
(Norm AS1418.19 Australia)**



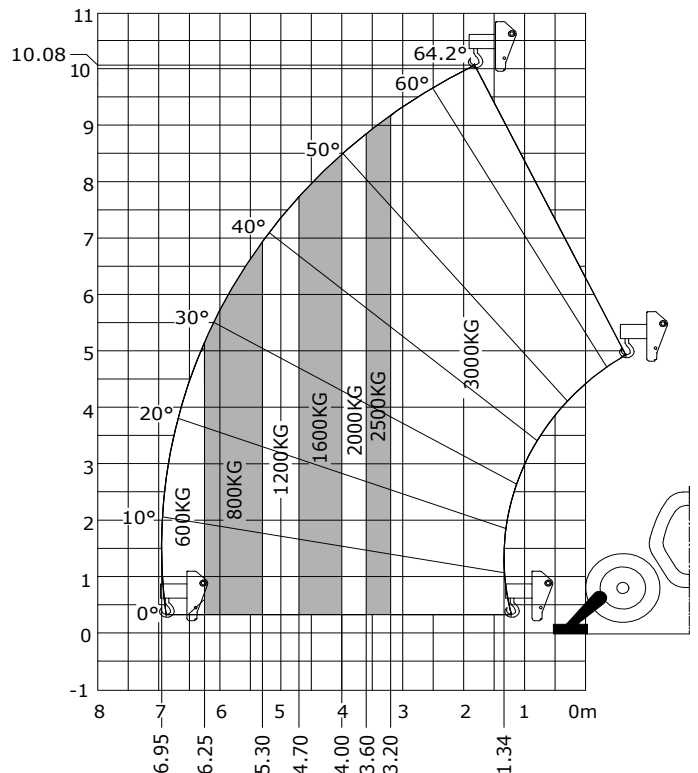
**Machine on Stabilizer with forks
(Norm AS1418.19 Australia)**



**Machine on tyres with PC 30/40/50
(Norm EN1459-B)**

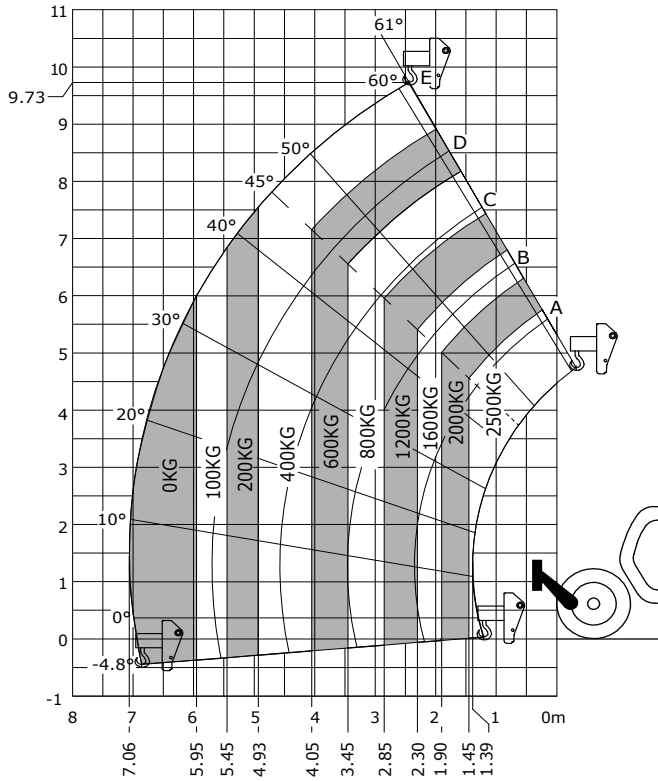


**Machine on Stabilizer with PC 30/40/50
(Norm EN1459-B)**

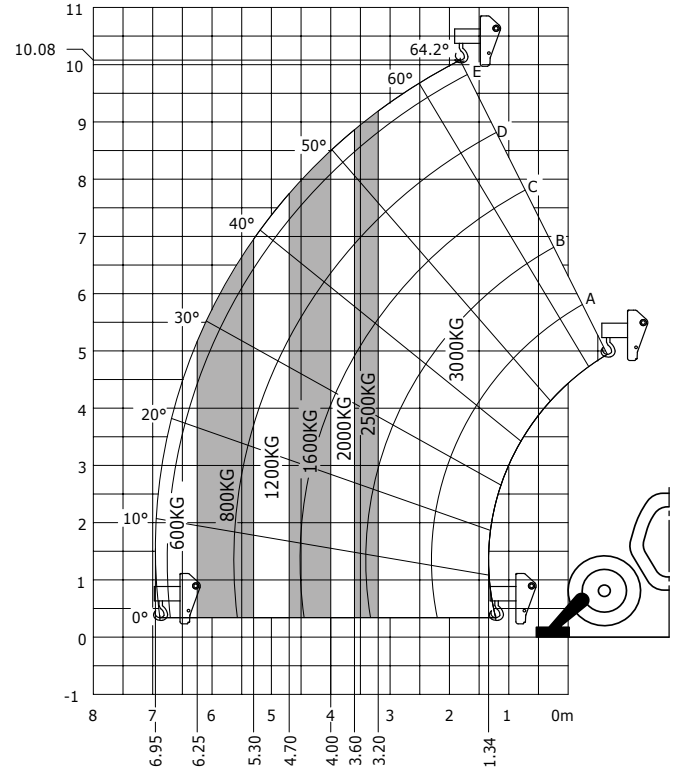


MT-X 1033 MINING

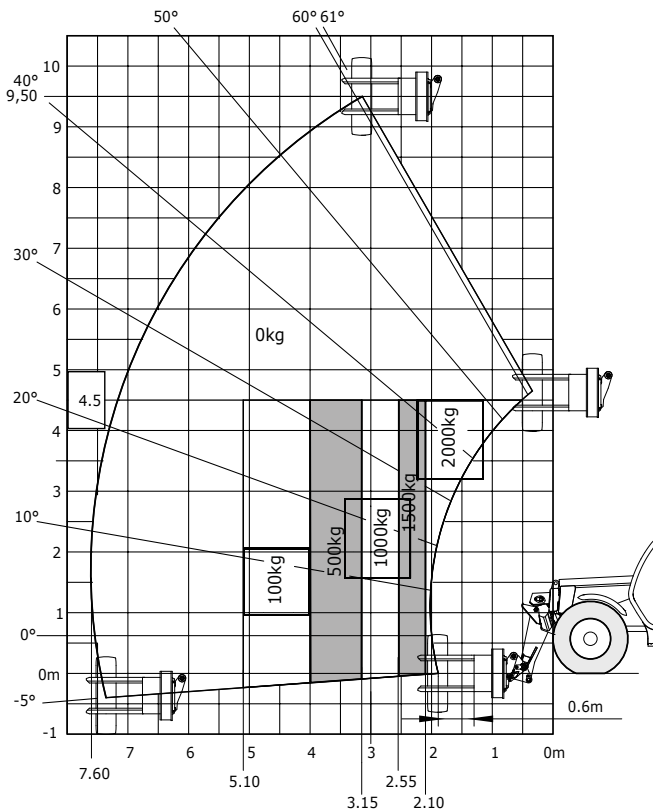
**Machine on tyres with PC 30/40/50
(Norm AS1418.19 Australia)**



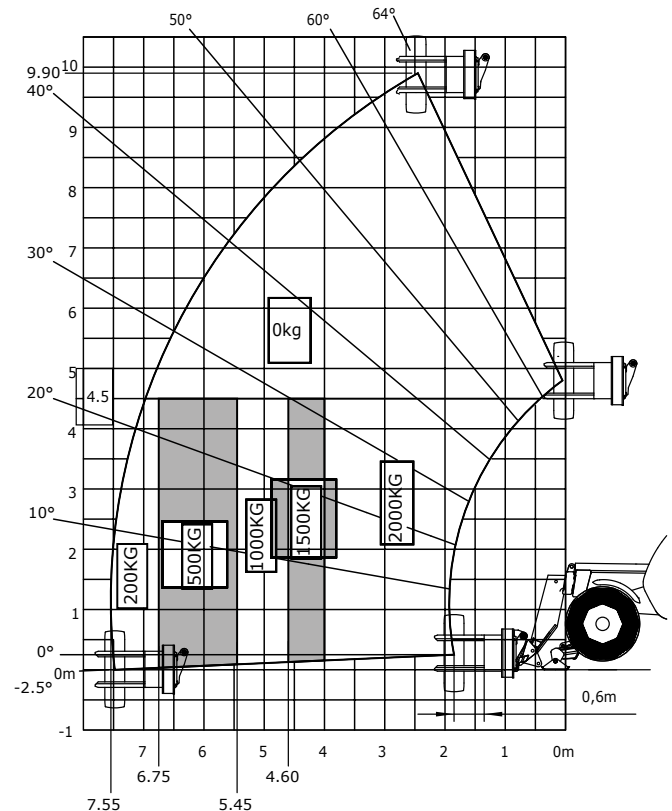
**Machine on Stabilizer with PC 30/40/50
(Norm AS1418.19 Australia)**



**Machine on tyres with TH33S/2000
(Norm EN1459-B)**

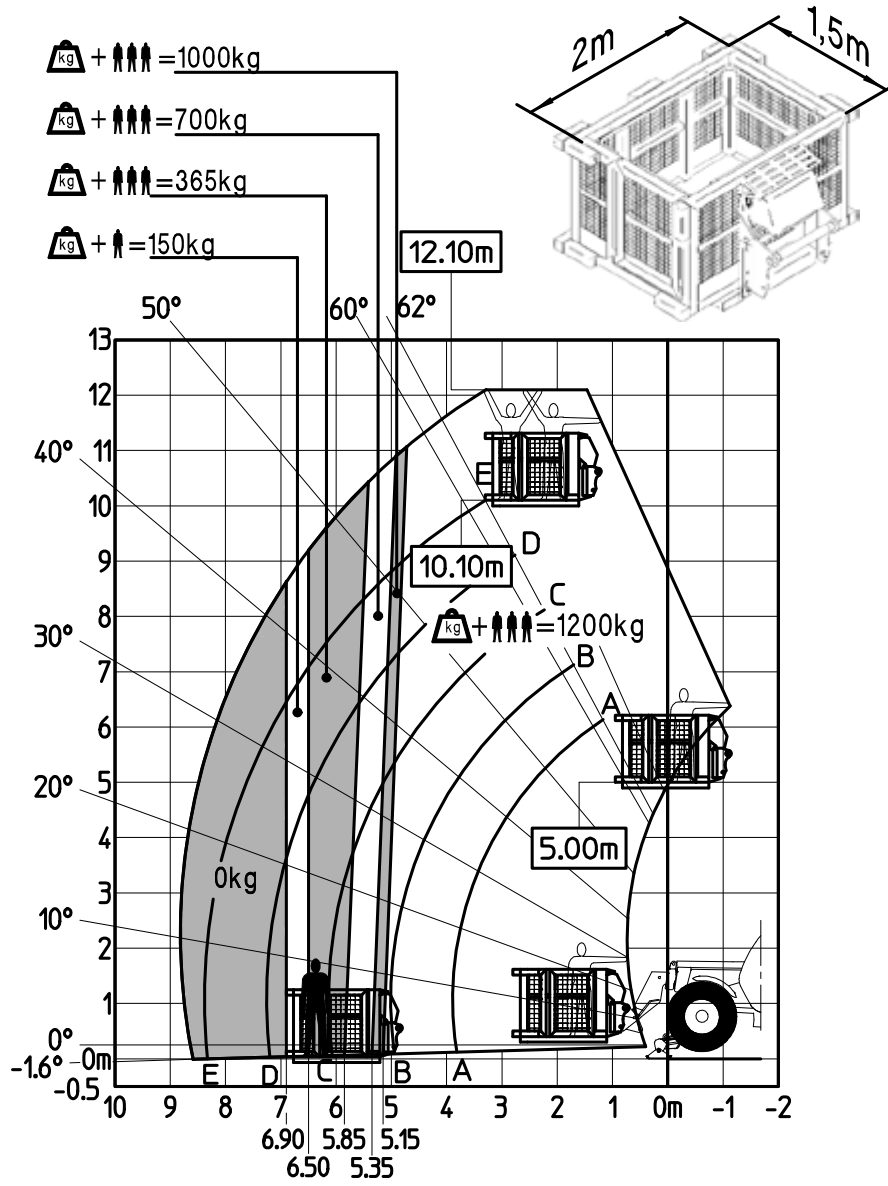


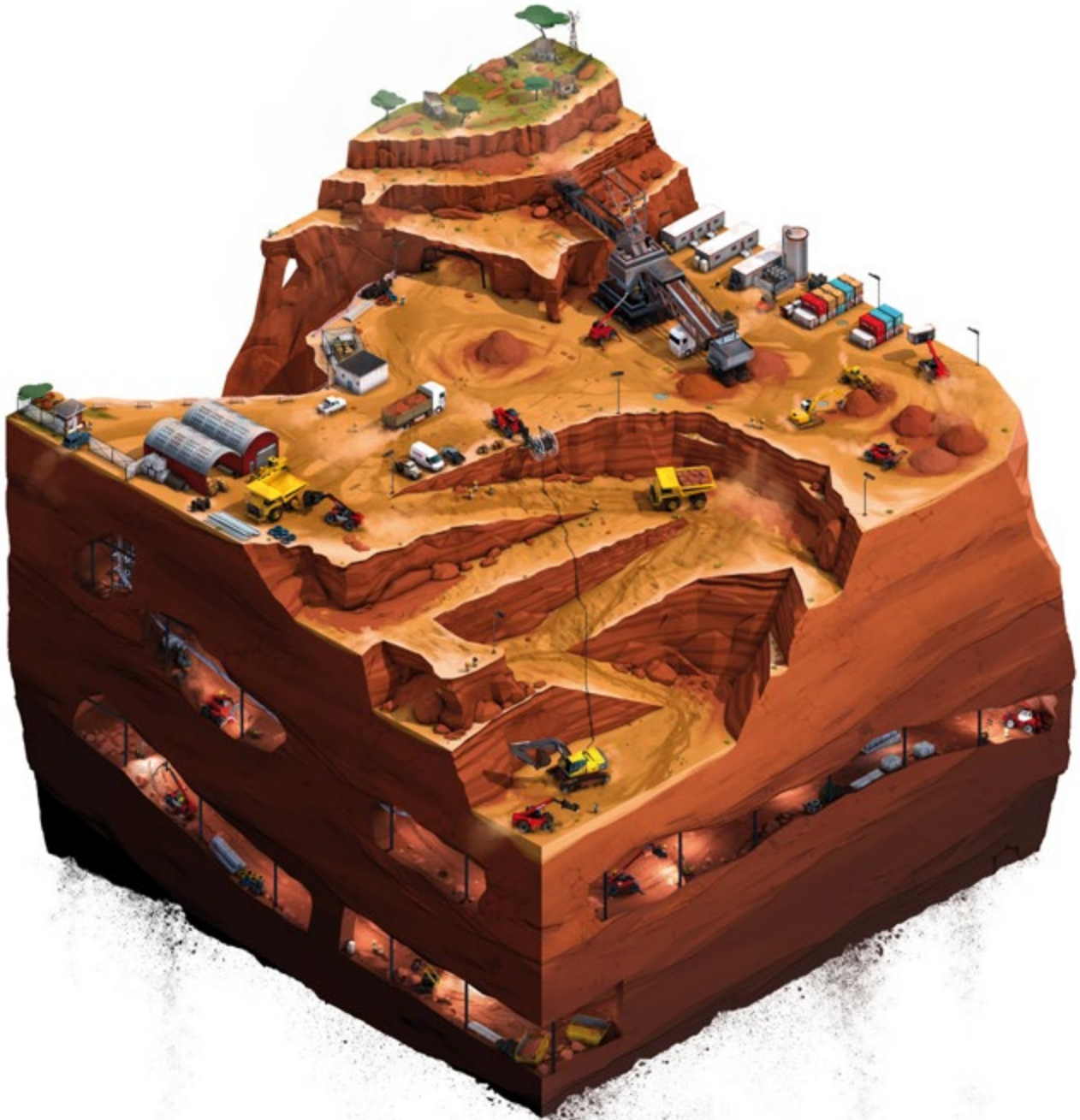
**Machine on Stabilizer with TH33S/2000
(Norm EN1459-B)**



MT-X 1033 MINING

Machine with Mining Platform (Access version)





 **MANITOU**
HANDLING YOUR WORLD

Head office

B.P. 10249 - 430 rue de l'Aubinière - 44158 Ancenis Cedex - France

Tel.: 00 33 (0)2 40 09 10 11 - Fax: 00 33 (0)2 40 09 10 97

mining@manitou-group.com

This brochure describes versions and configuration options for Manitou products which may be fitted with different equipment. The equipment described in this brochure may be standard, optional or not available depending on version. Manitou reserves the right to change the specifications shown and described at any time and without prior warning. The manufacturer is not liable for the specifications given. For more information, contact your Manitou dealer. Non-contractual document. Product descriptions may differ from actual products. List of specifications is not comprehensive. The logos and visual identity of the company are the property of Manitou and may not be used without authorisation. All rights reserved. The photos and diagrams contained in this brochure are provided for information only.
MANITOU BF SA - Limited company with board of directors - Share capital: 39,547,824 euros - 857 802 508 RCS Nantes