



# SCC6500A

## Crawler Crane 650 Tons Lifting Capacity

Quality Changes the World



**Max. lifting moment: 8600t·m**  
**Max. boom length: 108m**  
**Max. luffing jib combination: 96m+96m**

The parameters and diagrams in the brochure is only for reference, which is subject to further update in real machine.



## Crawler Crane Series SCC6500A

P03

Main  
Characteristics

- Product Specification
- Safety Devices

P10

Technical  
Parameters

- Main Performance Parameters
- Outline Dimension
- Transportation Dimensions
- Transport Plan
- Self-Assembly and Disassembly plan
- Assembly Schematics

P27

Cofigurations

- H condition
- HDB condition
- HJ condition
- HJDB condition
- HJDB\_4 condition
- HJDB\_5 condition
- HJDB\_7 condition
- FJ condition
- FJDB condition
- HJFJ\_1 condition
- HJFJ condition
- HJFJDB condition
- HJFJDB\_4 condition
- HJFJDB\_5 condition
- HJFJDB\_7 condition
- LJ condition
- LJDB condition



**SCC6500A**  
**SANY CRAWLER CRANE**  
**650 TONS LIFTING CAPACITY**

QUALITY CHANGES THE WORLD

## Main Characteristics

- Page 04 Product Specification
- Page 08 Safety Devices



## Product Specification



### Engine

- Model: Cummins QSX15-C600 Diesel engine;
- Type: 4-stroke, water-cooled, vertical in-line 6 cylinders, direct injection, turbo-charger, intercooler, complied with European Off-highway Tier III Emission Standard and Chinese Off-highway Tier III Emission Standard.
- Displacement: 15L;
- Rated power: 447kW/1800rpm;
- Max. Torque: 2542N·m/1400rpm;
- Starter: 24V-8.25kW;
- Radiator: fin type aluminum plate core;
- Air cleaner: Dry type system with main filter element, safety element and resistance indicator;
- Throttle: Grip type hand throttle, electrically-controlled;
- Fuel filter: Replaceable paper element;
- Batteries: Two 12V×180Ah capacity batteries, connected in series;
- Fuel tank capacity: 1000L

### Electrical Control System

- Self-developed SYIC-II integrated control system is adopted with higher integration, precise operation and reliable quality;
- Control system consists of power system, engine system, main control system, LMI system, auxiliary system and safety monitoring system. CAN BUS is used for data communication between controller, monitor and the engine.
- Monitor: the working parameters and status are shown on the monitor, such as the engine speed, fuel volume, engine oil pressure, servo pressure, wind speed, engine working hours, LMI data, ground bearing pressure, control handle function, alarm information, failure self-diagnosis;
- Remote Monitoring System: newly developed APP can collect equipment status at any time anywhere. Online functions such as smart maintenance reminder, failure alarm, construction data feeding, one-click service request, equipment health management are available, which makes the information more transparent and instant;
- Remote Control System: all main mechanisms and assisting cylinders can be controlled through remote control box as an optional feature. The monitor can show data of engine and LMI to ensure smarter, easier and safer operation.

### Hydraulic System

- Main pumps: five 125CC close piston pumps of variable displacement are adopted to provide oil supply for main actuators of main machine.
- Gear pump: two dual-gear pumps for boosting oil for close-circuit system, oil radiator, A/C control circuit;
- Control: closed main pump adopts electrical proportional bi-directional control; winch motor adopts limitless adjustable piston motor of variable displacement. The operating components are two one-way electrical control handle, one dual-travel electrically controlled pedal to control various actuators proportionally.
- Way of cooling: air-cooled heat exchanger, fan core and multi-stage cooling.
- Filter: large flow, high precision filter, with bypass valve and transmitter, which can remind the user to replace the filter element in time.
- Max. pressure of system:
- Main/aux. load hoist, boom/jib hoist, superlift luffing and travel system: 33MPa
- Superlift counterweight, self-assembly cylinder: 31.5MPa
- Swing system: 30MPa
- Servo system: 4MPa
- Hydraulic Tank Capacity: 1045L

### Load Hoisting Mechanism

- A variable hydraulic motor drives the planetary gear reducer to control the lifting and lowering of main hoists I and II. Meanwhile, the infinitely variable displacement ensures the excellent acceleration of hoisting power of main hoist I and II.
- Lifting capacity below 325t needs only one hoist, while two hoists must be applied simultaneously when the capacity exceeds 325t. Synchronization function of main hoists I and II is available;
- The maximum parts of line is 48. Multi-layer winding for drum with fold-line grooves can avoid rope disorder. Reducer is featured with low noise, high efficiency, long service life, and convenient oil change.

|                                                           |                                        |            |
|-----------------------------------------------------------|----------------------------------------|------------|
| Main Hoisting Mechanism W1-1<br>Main Hoisting Mechanism 1 | Drum diameter                          | 630mm      |
|                                                           | Rope speed on the outermost work layer | 0~130m/min |
|                                                           | Wire rope diameter                     | 28mm       |
|                                                           | Wire rope length of main hoist         | 1000m      |
| Main Hoisting Mechanism 2                                 | Rated single line pull                 | 17.1t      |
|                                                           |                                        |            |
| Auxiliary Hoisting Mechanism W2                           | Drum diameter                          | 630mm      |
|                                                           | Rope speed on the outermost work layer | 0~120m/min |
|                                                           | Wire rope diameter                     | 28mm       |
|                                                           | Wire rope length of auxiliary hoist    | 665m       |
|                                                           | Rated single line pull                 | 17.1t      |





## Product Specification

### Luffing Mechanism

- Including: luffing mechanisms of the boom, jib and superlift;
- Drums with fold-line grooves are adopted for all luffing devices. Hydraulic motor drives the planetary gear reducer with excellent infinitely variable displacement to realize multi-functions.

|                                 |                                        |            |
|---------------------------------|----------------------------------------|------------|
| Main and Auxiliary Mechanism W3 | Drum diameter                          | 630mm      |
|                                 | Rope speed on the outermost work layer | 0~112m/min |
|                                 | Steel rope diameter                    | 28mm       |
|                                 | Steel rope length of main luffing      | 680m       |
| Auxiliary Luffing W4            | Drum diameter                          | 630mm      |
|                                 | Rope speed on the outermost work layer | 0~120m/min |
|                                 | Steel rope diameter                    | 28mm       |
|                                 | Steel rope length of auxiliary luffing | 960m       |
| Superlift Luffing W5            | Drum diameter                          | 630mm      |
|                                 | Rope speed on the outermost work layer | 0~125m/min |
|                                 | Steel rope diameter                    | 28mm       |
|                                 | Steel rope length of superlift luffing | 1020m      |

### Swing Mechanism

- Swing brake adopts wet, spring loaded, normally-closed brake, and braking through spring force;
- Swing system adopts closed system with free slipping function. It is featured in steady starting and control, and excellent inching function.
- Swing drive: external engaged swing drive with 360° swing range, and the max. swing speed is 1.0r/min. The max. drive pressure can reach 33MPa.
- Swing lock: cylinder lock can ensure the upperworks locked securely after work or during transport;
- Swing ring: three-row roller bearing

### Cab and Control

- Novel operator's cab with fashionable profile, nice interior and large window glass, which can tilt up by 20° to provide panorama view. There are low and high-beam lights, back-view mirror, heater and A/C, radio and other functions. The layout of seat, handles, control buttons are designed with ergonomic principles to make operation more comfortable.
- Cab layout: Integrated 10.4-inch touch screen, two monitors, standard vibration handle, and man-machine interaction interface are more improved.
- Armrest box: on the left and right armrest box are control handles, electrical switches, emergent stop and ignition switch. The armrest box can be adjusted along with the seat.
- Seat: multi-way and multi-level floating adjustable seat with unload switch.
- A/C: cool and heat air; optimized air channels and vents.
- Multiple cameras can present on the monitor at the same time to realize backing video, real-time monitoring of hook working, travel area, winch and wire rope reeving conditions.

### Counterweight

- The counterweight includes: center counterweight, rear counterweight, superlift counterweight.

| Name                         | Quantity | Length (m) | Width (m) | Height (m) | Unit Weight (t) |
|------------------------------|----------|------------|-----------|------------|-----------------|
| Center counterweight         | 6        | 2.49       | 2.35      | 0.534      | 10              |
| Center counterweight Tray    | 2        | 2.78       | 2.91      | 1.2        | 4.4             |
| Rear Counterweight           | 20       | 2.49       | 2.35      | 0.555      | 10              |
| Rear Counterweight Tray      | 2        | 2.8        | 2.93      | 2.02       | 6.2             |
| Superlift counterweight      | 30       | 2.49       | 2.35      | 0.534      | 10              |
| Superlift Counterweight Tray | 1        | 10.18      | 2.5       | 1.55       | 10.7            |

### Upperworks

- High-strength steel weld framework, with no torsion or deformation. The parts are laid out in the way that is easier for maintenance and service.

## Product Specification



### Carbody

- The hydraulic cylinder drives power pin to be connected with track frame to facilitate the assembly and disassembly. Frame structures are welded by high-strength steel. Larger chassis design greatly improves the stability of the crane. The self-assembled center counterweight is 60t, with 30t at both front and the rear.

### Crawler Assembly

- Track frame: each track frame is equipped with an independent travel driving device. A hydraulic travel motor drives the planetary gear reducer and realizes independent traveling through the transmission of driving wheel. The travel system is configured with high and low speeds: sufficient traction is provided in low speed to realize 100% pick and carry, while faster job-site transfer is possible in high travel speed. Infinite variable speed can be realized in travel driving system.
- Track shoe: it is manufactured by advanced casting techniques and materials with high strength and good wear resistance. After assembled on the machine, the tension can be adjusted by a hydraulic jack with shims used to secure the crawler position.

### Boom

- The boom is a spatial lattice structure with equal section areas for inserts and tapered section areas for both ends. With pipes welded together, and boom tip and root strengthened with steel plates, it can better transfer the load;
- The length of the boom ranges from that (24m) of the base boom to the maximum length (108m, with superlift mast) and it can be increased progressively by 6m;
- Composition: boom base 10.5m×1, transitional insert 12m×1, connecting tip (boom top) 1.5m×1, insert section 6m×2, and insert section 12m×6;
- The extension jib shall be installed on the boom top.

### Fixed Jib

- The fixed jib is a spatial lattice structure with equal section areas for inserts and tapered section areas for both ends. With pipes welded together, and boom tip and root strengthened with steel plates, it can better transfer the load;
- The length of fixed jib is 12m;
- Composition: jib base 6m×1, and jib top 6m×1.

### Luffing Jib

- The luffing jib is a spatial lattice structure with equal section areas for inserts and tapered section areas for both ends. With pipes welded together, and boom tip and root strengthened with steel plates, it can better transfer the load;
- The length of the luffing jib ranges from 24m to 96m;
- Composition: jib base 10.5m×1, tapered section boom 6m×1, jib insert 6m×2, jib insert 12m×5, and jib top 7.5m×1;
- The extension jib shall be installed on the luffing jib top.



## Product Specification

### Superlift Device

- The superlift mast is a spatial lattice structure with equal section areas for inserts and tapered section areas for both ends. With pipes welded together, and boom tip and root strengthened with steel plates, it can better transfer the load;
- The superlift mast is 36m or 39.5m;
- Composition: mast base 12m×1, insert section 12m×1, 3.5m×1 and 12m×1.

### Hook

- 6 kinds of hooks are available, and specific parameters are as follows:

| Name of Hook  | Max. Lifting Capacity (t) | Quantity | Pulleys | Unit Weight (t) |
|---------------|---------------------------|----------|---------|-----------------|
| 650t hook     | 650                       | 1        | 2×13    | 20.2            |
| 350t hook     | 350                       | 1        | 2×7     | 10.5            |
| 180t hook     | 180                       | 1        | 2×3     | 6.3             |
| 100t hook     | 100                       | 1        | 3       | 3.2             |
| 50t hook      | 50                        | 1        | 1       | 1.4             |
| 18t ball hook | 18                        | 1        | /       | 1               |

Note: the 650t hook can be decomposed to 325t hook.

### Additional attachments:

- Side outriggers for erection aid;
- Lowerworks jack cylinders;
- Crawler self-assembly cylinder (on the boom hoist mast);
- Portable power pack;
- Quick connector between upperworks and lowerworks.

### Operating Weight

- The operating weight is about 515t, including the Upperworks, lowerworks, rear counterweight of basic machine, center counterweight, 24m basic boom and 650t hook.

### Ground Pressure

- The average ground pressure of machine with basic boom is 0.15MPa.

### Gradeability

- The gradeability of machine with basic boom is 15%.

## Safety Devices



### Load Moment Limiter

- The proprietary load moment limiter independently -developed by Sany is adopted, which forms a network with other controllers through CAN bus line, so as to realize safe and reliable control. The load moment limiter can automatically detect the hoisting weight of the crane and the angle of the boom, and display the rated load capacity, actual load, working radius, and the allowable height of the hook.
- The load moment limiter system consists of a large-screen color display, a host computer, angle sensors, tension sensors, pressure sensors and other components.

### Over-hoist Protection of the Main and Auxiliary Hooks

- It is used to prevent the over-hoist of the hook. When the lifting hook is raised to a certain height, the limit switch will start working, and hook will be automatically cut off from moving up by the control system. Meanwhile, the display and the buzzer will give alarms. At this moment, only hook lowering is allowed to prevent over-hoist action.

### Over-release Protection Device of the Main and Auxiliary Hook

- It is used to prevent the wire rope over-release. When the wire rope is released to the last three wraps, the limit switch will start working, and the releasing of rope will be automatically stopped by the control system. Meanwhile, the display and the buzzer will give alarms. At this moment, only rope retraction is allowed to prevent over release action.

### Boom Angle Limit

- When the elevation angle of the boom exceeds 85° or jib angle exceeds 75° , corresponding limit switch will be triggered, and the control system will automatically cut off the boom hoisting. Meanwhile, the display and the buzzer will give alarm. At this moment, boom/jib luffing winch won't hoist but it can still lower down.
- When the lowering angle of the boom and the jib is respectively less than 30° and 15°, the lowering of the boom will be automatically stopped by the control system. Meanwhile, the display and the buzzer will give an alarm. At this moment, the lowering of relative boom will be limited, and such protection function will be automatically controlled by the moment limiter.
- When the boom down angle is less than 30° or jib down angle is less than 15°, the control system will automatically cut off the boom/jib from further lowering. Meanwhile, the display and the buzzer will give alarms. At this moment, boom/jib luffing winch won't be able to lower. This protection is automatically controlled by Load Moment Limiter.

### Back-stop Device

- The boom and the superlift mast are respectively equipped with a pair of back-stop cylinders. The high pressure of the cylinder shall be overcome when the boom tilts backwards, and high pressure oil will be supplemented automatically when the boom swings forwards to increase the tension and prevent the boom vibration and shaking back.
- The jib rear mast is equipped with a pair of back-stop cylinders, while the jib front mast is equipped with a pair of pneumatic cylinders to prevent the mast from the backward inclination and tension of the jib luffing wire rope.

### Brake of Hoisting Mechanism

- All hoisting brakes are spring loaded normally closed disc brakes, which are featured with large braking force, maintenance-free, safe and reliable use, and long service life.

### Closed Circuit Monitoring System

- It can be used to monitor the winding conditions of wire ropes of each hoisting mechanism, the conditions of superlift weight, and conditions around the equipment.

### Fault Auto-Diagnosis System

- Faults can be conveniently eliminated based on the fault code.



## Safety Devices

### Black Box

- It is able to record the operation data and machine movement, and analyze the remaining running conditions and service life of machine based on the actual performance.

### Pharos

- It is mounted on the top of the boom/jib and alerts in air during night.

### Anemometer

- It is mounted on the top of the boom/jib to monitor the wind speed in real time and display relative data on the monitor.

### Electronic Level Indicator

- It displays the tilting angle of the crane on the monitor in real time and protects the safe operation of the crane.

### Lightning Protection Device

- It includes the lightning protection device and the surge protection device, which can effectively protect the electric system elements and workers from lightning.

### Boom Angle Indicator

- It is a pendulum-type angle indicator fixed on one side of the boom base.

### Hook Latch

- The lifting hook is installed with a baffle plate to prevent wire rope from falling off.

### Swing and Traveling Alarm

- During swing and traveling, the alarm horn will be blown per certain frequency to alert the personnel around the crane. The horn can be shut off through the display.

### Function Lock

- The operation will be locked by pulling up the function locking lever on the right side of the seat inside the driver's cab or when the operator left the seat, after which no operating handles will be working so that improper operation caused by the body collision when getting on and off the crane can be avoided.

### Regulation of Engine Power Ultimate Load and Stalling Protection

- The controller can monitor the engine power so as to prevent stalling.

### Remote Monitoring System

- It monitors and analyzes the operation data so as to realize remote diagnosis of faults and timely solution.

### Proactive Safety Control Technology

- Swing speed can be automatically reduced based on boom length to make it safer;
- Flexible safety protection reduces the speed when the mechanism approaches to the safety limit position, which ensures reliability;
- Real-time monitor of hydraulic oil temperature allows limits on the action speed based on oil temperature, which protect the hydraulic components effectively;
- The protection can be set on man-machine interface as customer needs.



**SCC6500A**  
**SANY CRAWLER CRANE**  
**650 TONS LIFTING CAPACITY**

QUALITY CHANGES THE WORLD

## Technical Parameters

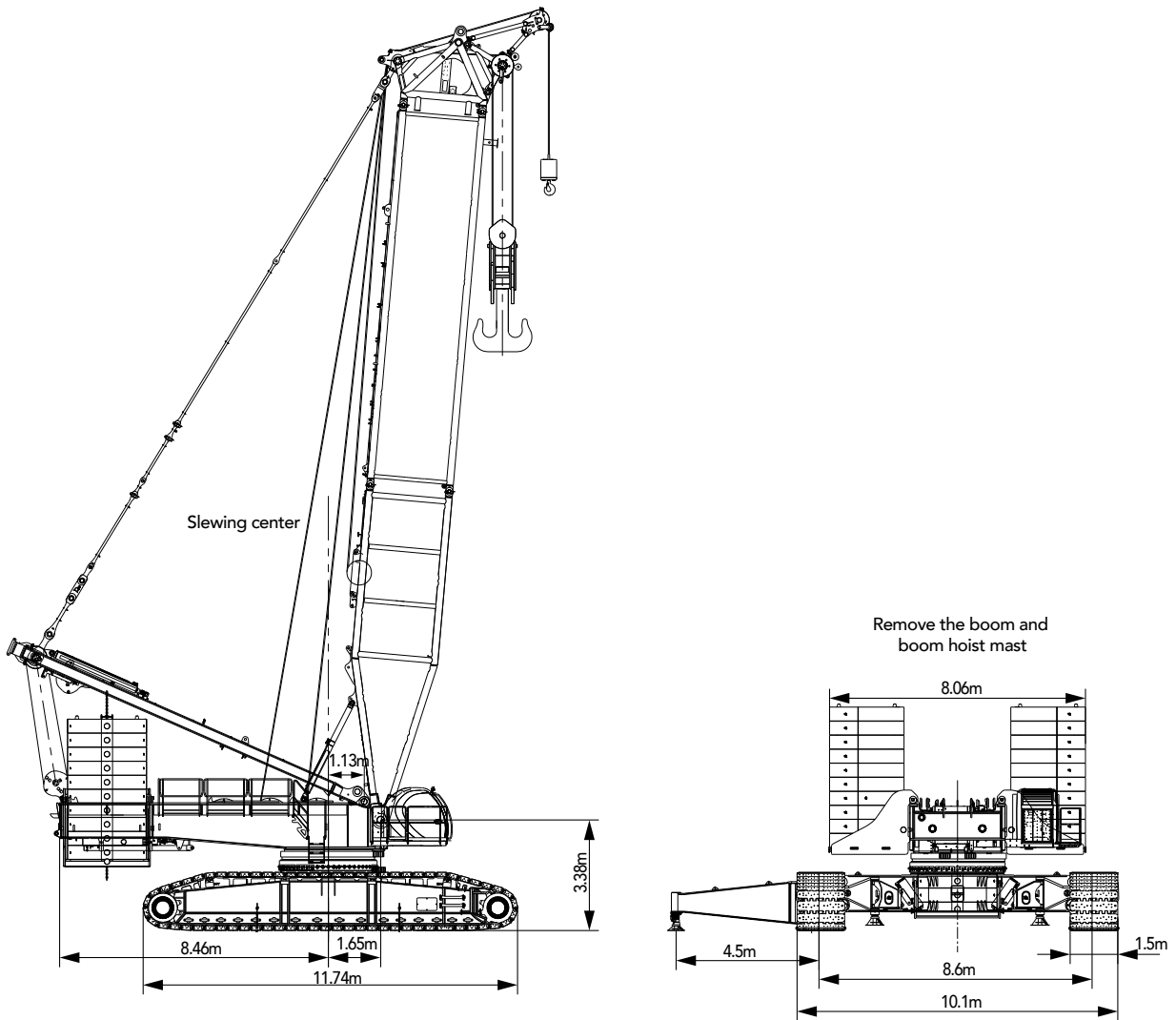
- Page 11 Major Performance & Specifications
- Page 12 Outline Dimension
- Page 14 Transport Dimension
- Page 22 Transport Plan
- Page 26 Self-Assembly and Disassembly plan
- Page 27 Assembly Schematics

> 10

## Main Performance Parameters

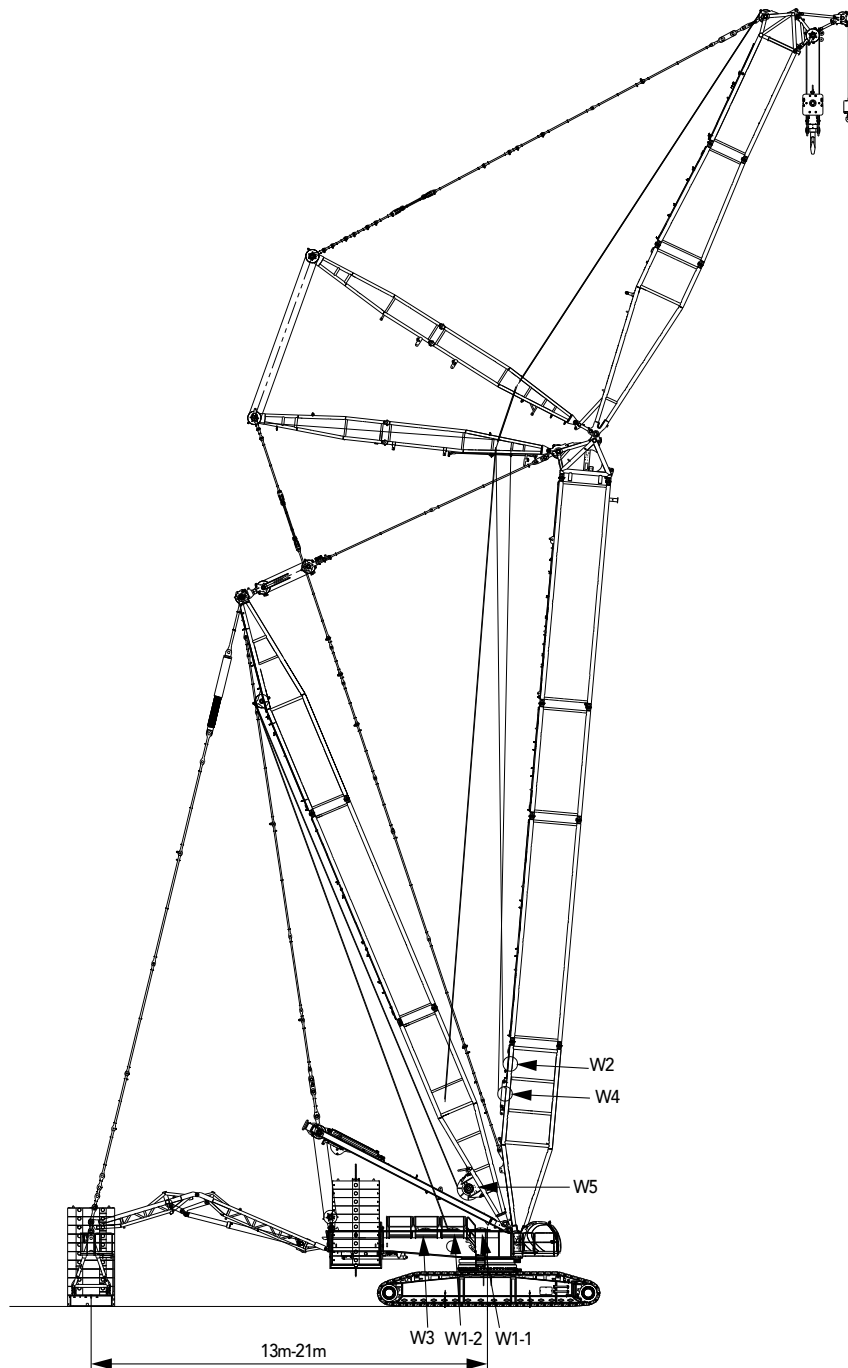
| Major Performance & Specifications of SCC6500A                                                                      |          |                                             |
|---------------------------------------------------------------------------------------------------------------------|----------|---------------------------------------------|
| Performance Indicators                                                                                              | Unit     | Parameter                                   |
| Max. rated lifting capacity                                                                                         | t        | 650 (5.5m working radius)                   |
| Max. rated lifting capacity (with superlift)                                                                        | t        | 650 (12m working radius)                    |
| Max. rated lifting moment (with superlift)                                                                          | t·m      | 8600                                        |
| Boom length                                                                                                         | m        | 24 ~ 96                                     |
| Boom length (with superlift)                                                                                        | m        | 36 ~ 108                                    |
| Length of mixed boom                                                                                                | m        | 66 ~ 114                                    |
| Length of mixed boom (with superlift)                                                                               | m        | 90 ~ 144                                    |
| Length of luffing jib                                                                                               | m        | 24 ~ 66                                     |
| Length of luffing jib (with superlift)                                                                              | m        | 24 ~ 96                                     |
| Length of fixed short jib                                                                                           | m        | 12                                          |
| Combination of longest booms (LJDB working condition)                                                               | m        | 96+96                                       |
| Longest boom + jib of wind turbine working condition (without superlift)                                            | m        | 114+12                                      |
| Longest boom+ jib of wind turbine working condition (with superlift + power boom)                                   | m        | 165+12                                      |
| Longest mixed boom (with superlift + power boom)                                                                    | m        | 165                                         |
| Boom luffing angle                                                                                                  | °        | 30 ~ 85                                     |
| Jib luffing angle                                                                                                   | °        | 15 ~ 75                                     |
| Fixed jib angle                                                                                                     | °        | 10/15/20                                    |
| Max. speed of single rope of the main hoist (outermost work layer)                                                  | m/min    | 130                                         |
| Max. speed of single rope of the auxiliary hoist (outermost work layer)                                             | m/min    | 120                                         |
| Max. speed of single rope of the boom luffing (outermost work layer)                                                | m/min    | 56×2                                        |
| Max. speed of single rope of the jib luffing (outermost work layer)                                                 | m/min    | 120                                         |
| Max. speed of single rope of the superlift luffing (outermost work layer)                                           | m/min    | 125                                         |
| Swing speed (no load)                                                                                               | r/min    | 0.8                                         |
| Travel speed                                                                                                        | km/h     | 0 ~ 1.0 ( high speed) / 0 ~ 0.3 (low speed) |
| Gradeability (with base boom, driver's cab backwards)                                                               | %        | 15                                          |
| Rated output power of the engine                                                                                    | kW/r/min | 447/1800                                    |
| Crane weight (basic boom, 210t rear counterweight, 60t center counterweight, and 650t hook)                         | t        | 505                                         |
| Average ground pressure of the track (basic boom, 210t rear counterweight, 60t center counterweight, and 650t hook) | MPa      | 0.15                                        |
| Rear counterweight of the basic machine                                                                             | t        | 200                                         |
| Superlift counterweight (including tray)                                                                            | t        | 310                                         |
| Center counterweight                                                                                                | t        | 60                                          |
| Max. transport dimension of single part(L × W × H)                                                                  | mm       | 13290×3000×3200                             |
| Max. transport weight of single part                                                                                | t        | 65                                          |
| Max. transport weight of single part (with separator)                                                               | t        | 44.5                                        |



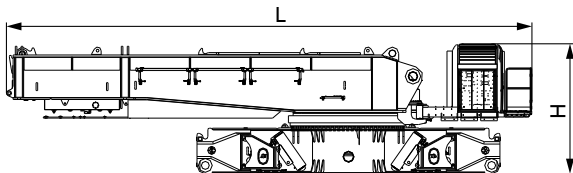
**Outline Dimension**

Unit: mm

### Outline Dimension



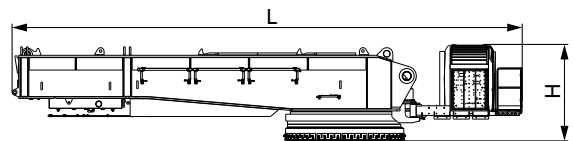
## Transport Dimension



### Main body (Upperworks and lowerworks not separated)

×1

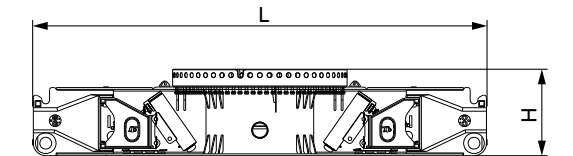
|            |        |
|------------|--------|
| Length (L) | 13.29m |
| Width (W)  | 3.00m  |
| Height (H) | 3.20m  |
| Weight     | 65t    |



### Main body (Upperworks and lowerworks separated)

×1

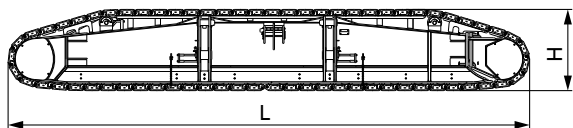
|            |        |
|------------|--------|
| Length (L) | 13.29m |
| Width (W)  | 3.00m  |
| Height (H) | 2.52m  |
| Weight     | 44.5t  |



### Carbody (Upperworks and lowerworks separated)

×1

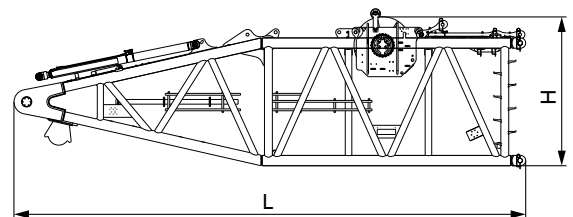
|            |       |
|------------|-------|
| Length (L) | 7.68m |
| Width (W)  | 3.00m |
| Height (H) | 1.46m |
| Weight     | 28.5t |



### Crawler assembly

×2

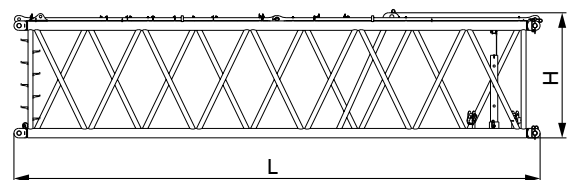
|            |        |
|------------|--------|
| Length (L) | 11.74m |
| Width (W)  | 1.85m  |
| Height (H) | 1.76m  |
| Weight     | 44.6t  |



### Boom base of the boom (H2)

×1

|                                       |       |
|---------------------------------------|-------|
| Length (L)                            | 10.9m |
| Width (W)                             | 3.0m  |
| Height (H)                            | 3.2m  |
| Weight (with auxiliary luffing hoist) | 19.2t |

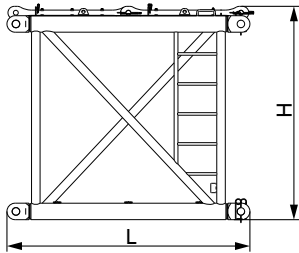


### 12m transition boom (H4)

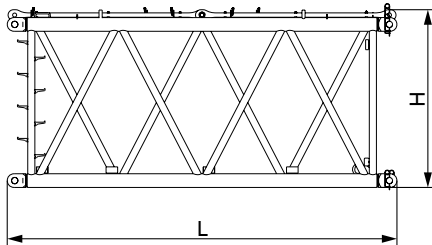
×1

|            |        |
|------------|--------|
| Length (L) | 12.24m |
| Width (W)  | 2.99m  |
| Height (H) | 2.9m   |
| Weight     | 8.4t   |

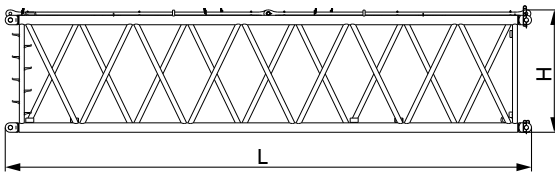
## Transport Dimension



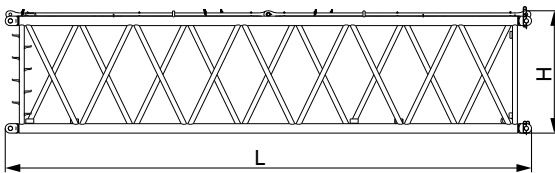
| 3m boom insert (H3) | ×1    |
|---------------------|-------|
| Length (L)          | 3.24m |
| Width (W)           | 2.99m |
| Height (H)          | 2.84m |
| Weight              | 2.68t |



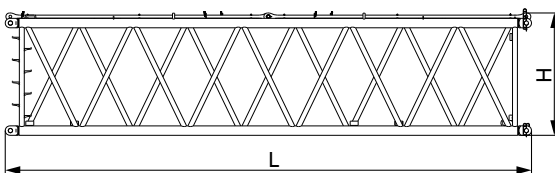
| 6m boom insert (H6) | ×2    |
|---------------------|-------|
| Length (L)          | 6.24m |
| Width (W)           | 2.99m |
| Height (H)          | 2.84m |
| Weight              | 4.7t  |



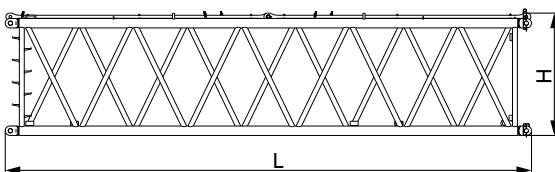
| 12m boom insert (H8B) | ×2    |
|-----------------------|-------|
| Length (L)            | 12.2m |
| Width (W)             | 2.99m |
| Height (H)            | 2.84m |
| Weight                | 8.5t  |



| 12m boom insert (H8C) | ×2    |
|-----------------------|-------|
| Length (L)            | 12.2m |
| Width (W)             | 2.99m |
| Height (H)            | 2.84m |
| Weight                | 7.5t  |

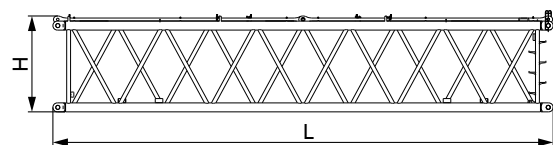
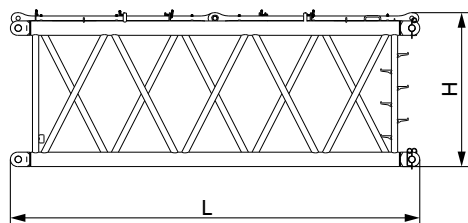
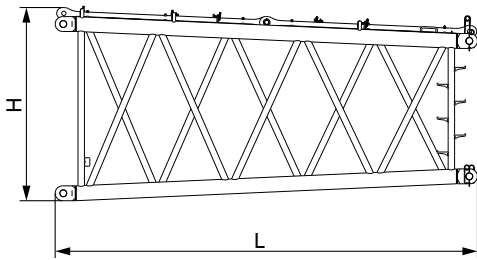
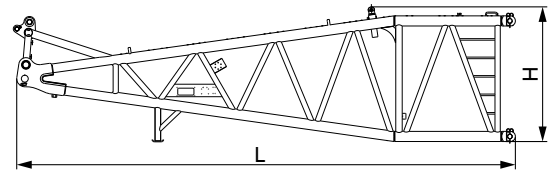
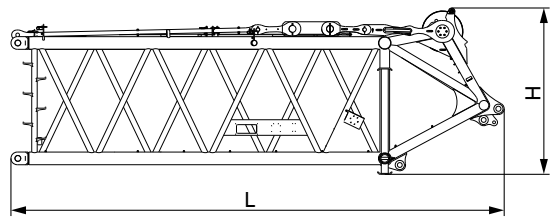
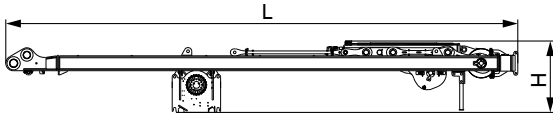


| 12m boom insert (H8D) | ×2    |
|-----------------------|-------|
| Length (L)            | 12.2m |
| Width (W)             | 2.99m |
| Height (H)            | 2.84m |
| Weight                | 6.8t  |



| 12m boom insert (H8E) | ×1    |
|-----------------------|-------|
| Length (L)            | 12.2m |
| Width (W)             | 2.99m |
| Height (H)            | 2.84m |
| Weight                | 6.8t  |

## Transport Dimension



### Boom luffing mast ×1

|                                     |       |
|-------------------------------------|-------|
| Length (L)                          | 12.4m |
| Width (W)                           | 2.41m |
| Height (H)                          | 1.72m |
| Weight (including boom hoist winch) | 20.4t |

### Luffing jib top (LJ1) ×1

|            |       |
|------------|-------|
| Length (L) | 8.55m |
| Width (W)  | 2.57m |
| Height (H) | 2.88m |
| Weight     | 6.5t  |

### Luffing jib base (LJ2) ×1

|            |       |
|------------|-------|
| Length (L) | 10.8m |
| Width (W)  | 2.99m |
| Height (H) | 2.91m |
| Weight     | 8t    |

### 6m jib tapered section (LJ4) ×1

|            |       |
|------------|-------|
| Length (L) | 6.2m  |
| Width (W)  | 2.99m |
| Height (H) | 2.85m |
| Weight     | 3.2t  |

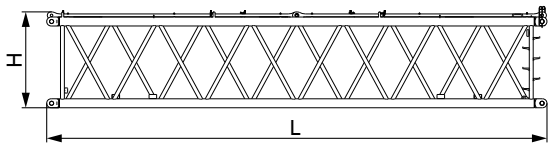
### 6m luffing jib insert (LJ6) ×2

|            |       |
|------------|-------|
| Length (L) | 6.2m  |
| Width (W)  | 2.64m |
| Height (H) | 2.34m |
| Weight     | 3.1t  |

### 12m luffing jib insert (LJ8A) ×1

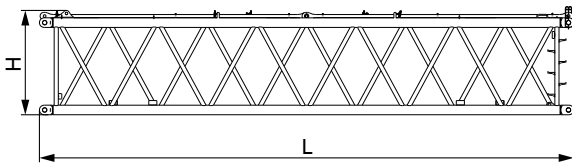
|            |       |
|------------|-------|
| Length (L) | 12.2m |
| Width (W)  | 2.64m |
| Height (H) | 2.34m |
| Weight     | 5.3t  |

## Transport Dimension



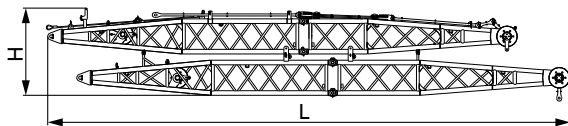
### 12m luffing jib insert (LJ8B) ×2

|            |       |
|------------|-------|
| Length (L) | 12.2m |
| Width (W)  | 2.64m |
| Height (H) | 2.34m |
| Weight     | 5t    |



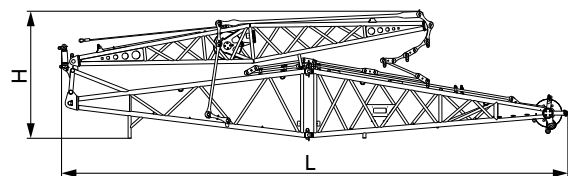
### 12m luffing jib insert (LJ8C) ×1

|            |       |
|------------|-------|
| Length (L) | 12.2m |
| Width (W)  | 2.64m |
| Height (H) | 2.39m |
| Weight     | 5t    |



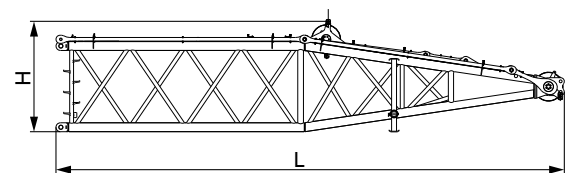
### Front and rear masts of luffing jib ×1

|            |       |
|------------|-------|
| Length (L) | 18m   |
| Width (W)  | 2.54m |
| Height (H) | 3.00m |
| Weight     | 15.4t |



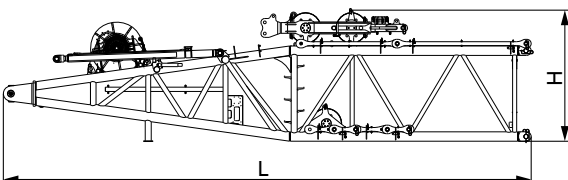
### Fixed jib assembly ×1

|            |        |
|------------|--------|
| Length (L) | 12.71m |
| Width (W)  | 2.48m  |
| Height (H) | 3.19m  |
| Weight     | 5.8t   |



### Superlift mast top (D1) ×1

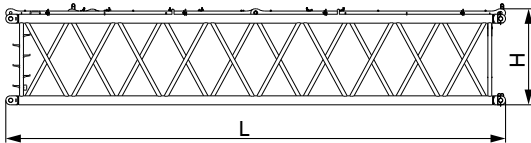
|            |        |
|------------|--------|
| Length (L) | 12.51m |
| Width (W)  | 2.99m  |
| Height (H) | 2.72m  |
| Weight     | 10.6t  |



### Superlift mast base (D2) ×1

|                     |       |
|---------------------|-------|
| Length (L)          | 12.3m |
| Width (W)           | 2.99m |
| Height (H)          | 3.05m |
| Weight (with hoist) | 20.5t |

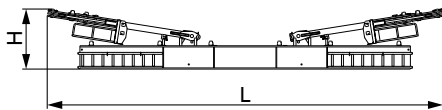
## Transport Dimension



### 12m superlift mast insert (D3)

×1

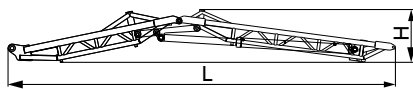
|            |       |
|------------|-------|
| Length (L) | 12.2m |
| Width (W)  | 2.57m |
| Height (H) | 2.35m |
| Weight     | 7.6t  |



### Superlift counterweight frame

×1

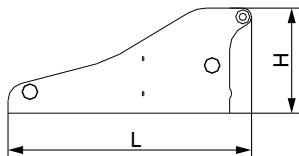
|            |        |
|------------|--------|
| Length (L) | 10.18m |
| Width (W)  | 2.5m   |
| Height (H) | 1.55m  |
| Weight     | 10.7t  |



### Superlift counterweight strut

×1

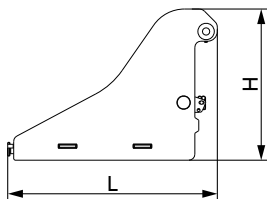
|            |       |
|------------|-------|
| Length (L) | 13.3m |
| Width (W)  | 3.0m  |
| Height (H) | 1.81m |
| Weight     | 9.6t  |



### Center counterweight tray

×2

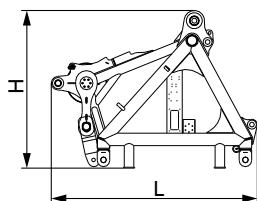
|            |       |
|------------|-------|
| Length (L) | 2.78m |
| Width (W)  | 2.91m |
| Height (H) | 1.2m  |
| Weight     | 4.4t  |



### Rear counterweight tray

×2

|            |       |
|------------|-------|
| Length (L) | 2.8m  |
| Width (W)  | 2.93m |
| Height (H) | 2.02m |
| Weight     | 6.2t  |



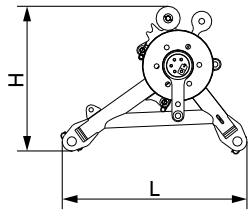
### Connection tip

×1

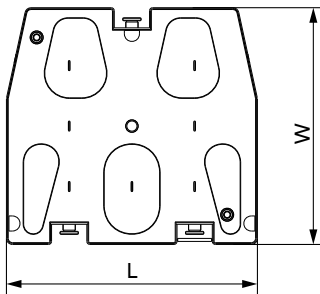
|            |       |
|------------|-------|
| Length (L) | 3.63m |
| Width (W)  | 2.99m |
| Height (H) | 2.77m |
| Weight     | 6.1t  |



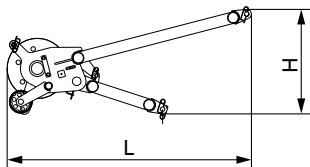
## Transport Dimension



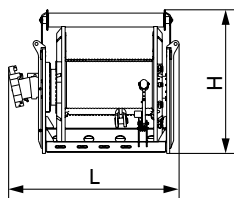
| Sheave block | ×2    |
|--------------|-------|
| Length (L)   | 1.84m |
| Width (W)    | 1.67m |
| Height (H)   | 1.44m |
| Weight       | 2.3t  |



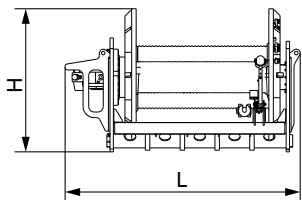
| 10t Counterweight block | ×56    |
|-------------------------|--------|
| Length (L)              | 2.49m  |
| Width (W)               | 2.35m  |
| Height (H)              | 0.555m |
| Weight                  | 10t    |



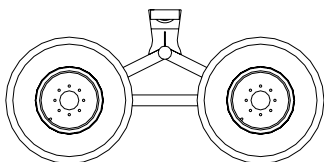
| Extension jib (HT) | ×1    |
|--------------------|-------|
| Length (L)         | 2.6m  |
| Width (W)          | 1.07m |
| Height (H)         | 1.11m |
| Weight             | 0.45t |



| Jib hoist winch | ×1    |
|-----------------|-------|
| Length (L)      | 1.71m |
| Width (W)       | 1.5m  |
| Height (H)      | 1.44m |
| Weight          | 6.3t  |

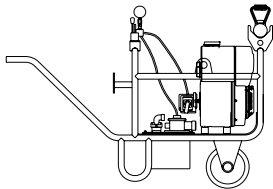


| Main load hoist winch | ×2    |
|-----------------------|-------|
| Length (L)            | 2.09m |
| Width (W)             | 1.34m |
| Height (H)            | 1.27m |
| Weight                | 7.1t  |



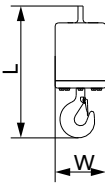
| Trolley    | ×1    |
|------------|-------|
| Length (L) | 3.3m  |
| Width (W)  | 2.0m  |
| Height (H) | 1.61m |
| Weight     | 1.9t  |

## Transport Dimension



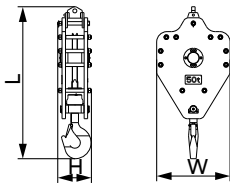
### Portable power pack ×1

|            |       |
|------------|-------|
| Length (L) | 1.55m |
| Width (W)  | 0.7m  |
| Height (H) | 1.09m |
| Weight     | 0.2t  |



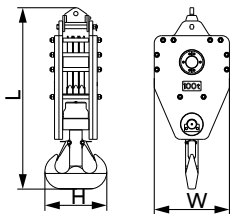
### 18T ball hook ×1

|            |      |
|------------|------|
| Length (L) | 1.3m |
| Width (W)  | 0.5m |
| Height (H) | 0.5m |
| Weight     | 1t   |



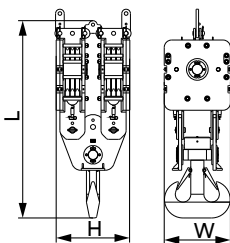
### 50T hook ×1

|            |       |
|------------|-------|
| Length (L) | 2.2m  |
| Width (W)  | 1.06m |
| Height (H) | 0.5m  |
| Weight     | 1.42t |



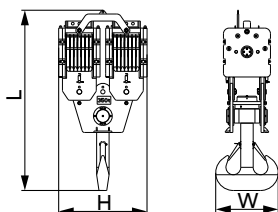
### 100T hook ×1

|            |       |
|------------|-------|
| Length (L) | 2.5m  |
| Width (W)  | 1.03m |
| Height (H) | 0.85m |
| Weight     | 3.12t |



### 180T hook ×1

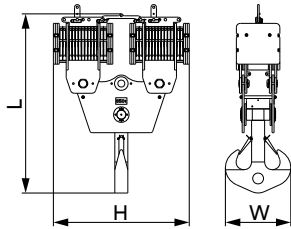
|            |       |
|------------|-------|
| Length (L) | 3.2m  |
| Width (W)  | 1.07m |
| Height (H) | 1.19m |
| Weight     | 6.28t |



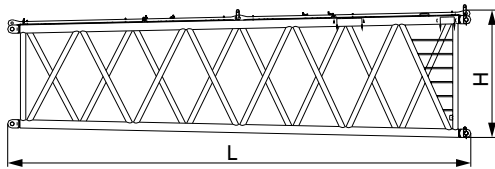
### 350T hook ×1

|            |        |
|------------|--------|
| Length (L) | 3.84m  |
| Width (W)  | 1.33m  |
| Height (H) | 1.88m  |
| Weight     | 10.48t |

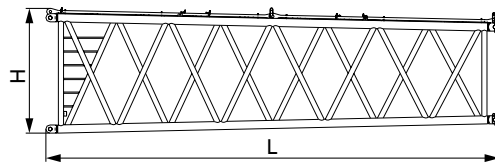
## Transport Dimension



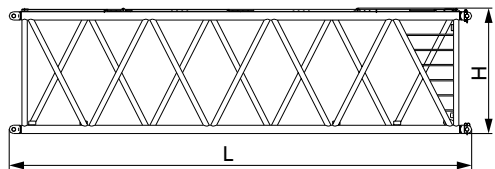
|                  |           |
|------------------|-----------|
| <b>650t hook</b> | <b>×1</b> |
| Length (L)       | 4.61m     |
| Width (W)        | 1.68m     |
| Height (H)       | 3.5m      |
| Weight           | 20.2t     |



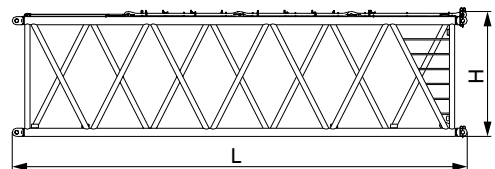
|                                            |           |
|--------------------------------------------|-----------|
| <b>12m lower transition section (ZH4A)</b> | <b>×1</b> |
| Length (L)                                 | 12.2m     |
| Width (W)                                  | 3.56m     |
| Height (H)                                 | 3.36m     |
| Weight                                     | 10.8t     |



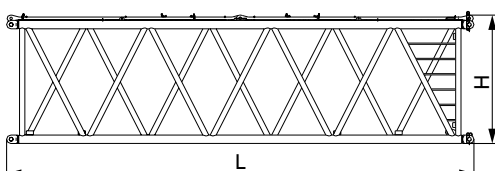
|                                            |           |
|--------------------------------------------|-----------|
| <b>12m upper transition section (ZH4B)</b> | <b>×1</b> |
| Length (L)                                 | 12.2m     |
| Width (W)                                  | 3.56m     |
| Height (H)                                 | 3.36m     |
| Weight                                     | 8.74t     |



|                                          |           |
|------------------------------------------|-----------|
| <b>12m insert of power boom A (ZH8A)</b> | <b>×3</b> |
| Length (L)                               | 12.2m     |
| Width (W)                                | 3.56m     |
| Height (H)                               | 3.36m     |
| Weight                                   | 8.86t     |



|                                          |           |
|------------------------------------------|-----------|
| <b>12m insert of power boom B (ZH8B)</b> | <b>×1</b> |
| Length (L)                               | 12.2m     |
| Width (W)                                | 3.56m     |
| Height (H)                               | 3.36m     |
| Weight                                   | 7.83t     |

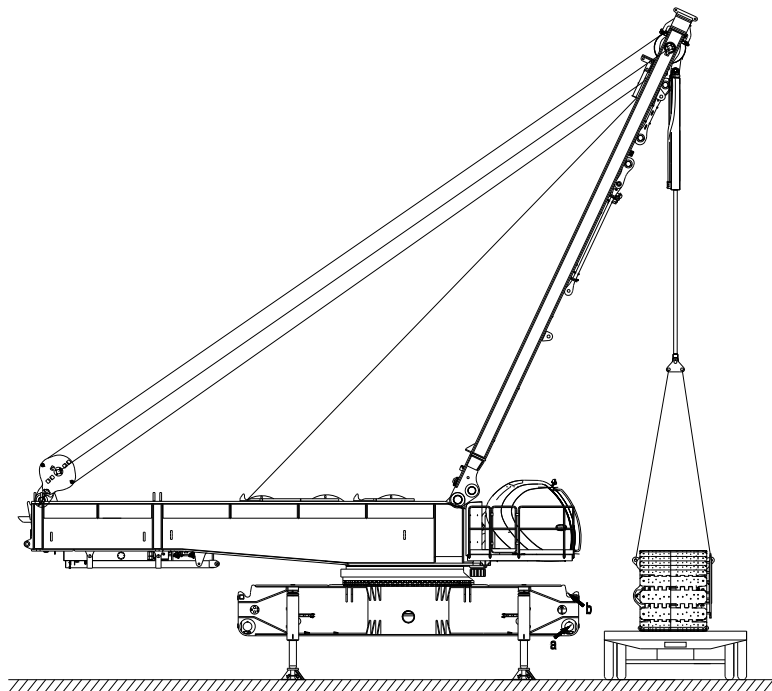
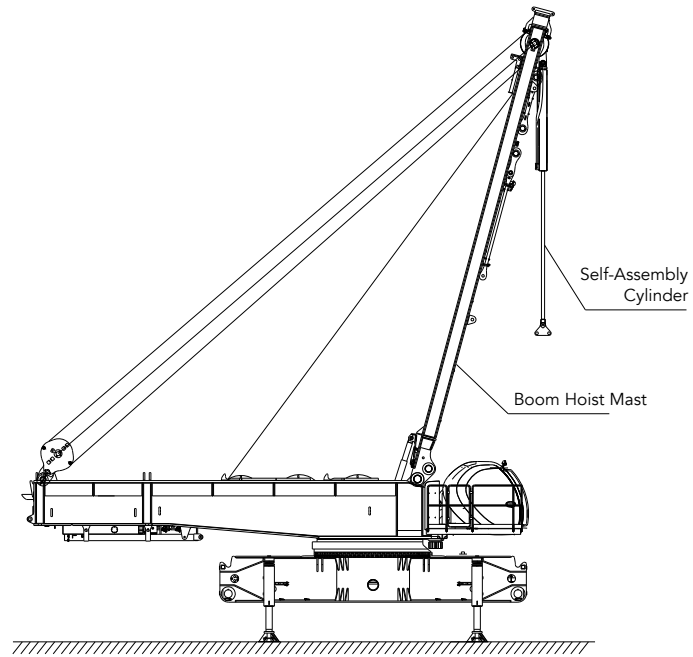


|                                          |           |
|------------------------------------------|-----------|
| <b>12m insert of power boom C (ZH8C)</b> | <b>×1</b> |
| Length (L)                               | 12.2m     |
| Width (W)                                | 3.56m     |
| Height (H)                               | 3.36m     |
| Weight                                   | 8.75t     |

**Note:**

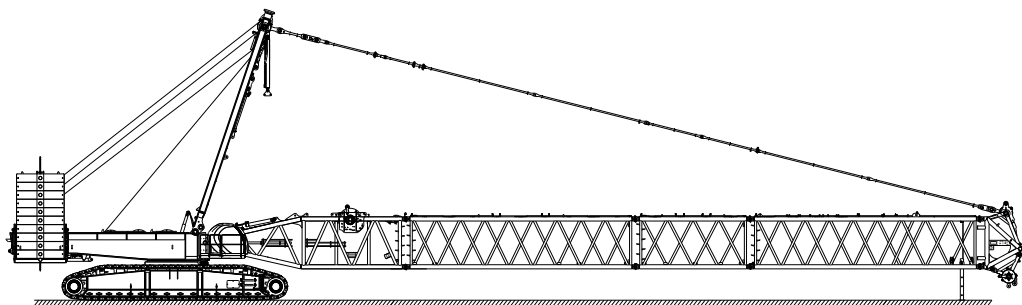
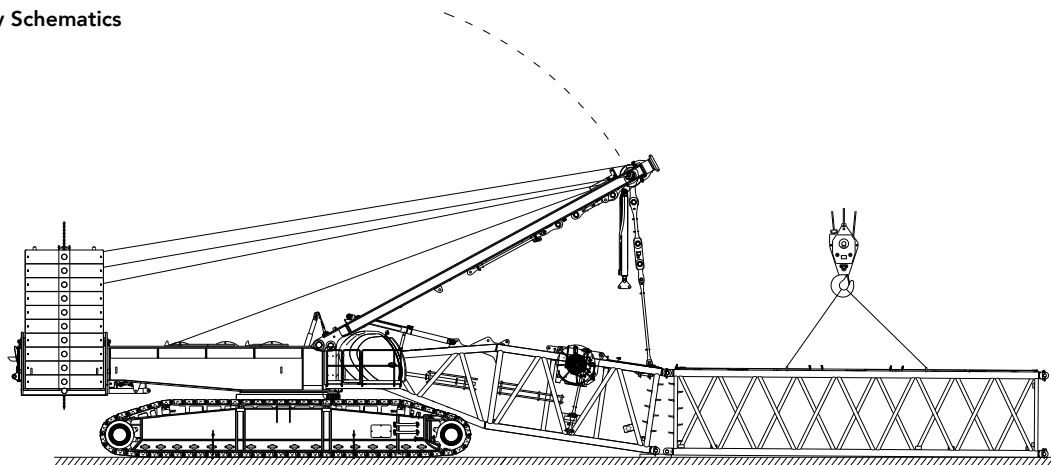
- 1.The transport dimensions of each part in the table are schematic, not proportional to the real parts. The dimensions are designed value without package considered.
- 2.Weight is designed value that the actual manufactured part may deviate a little.
- 3.The dimensions and weight of each part may change due to product upgrading. The final values are subject to the new product.

## Self-Assembly and Disassembly plan

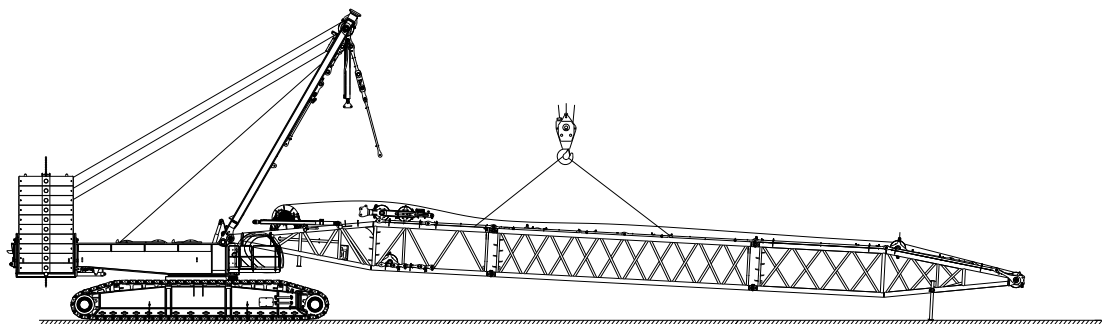


## Assembly Schematics

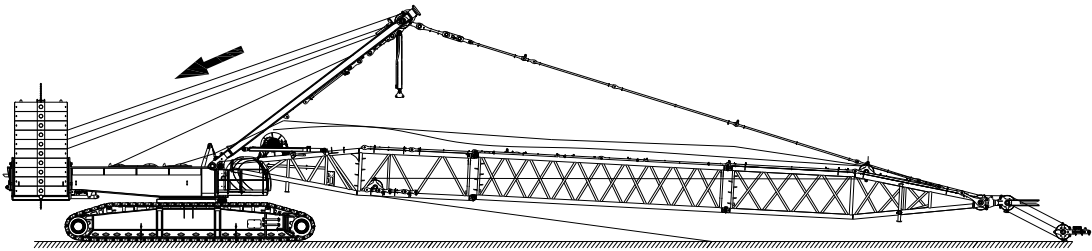
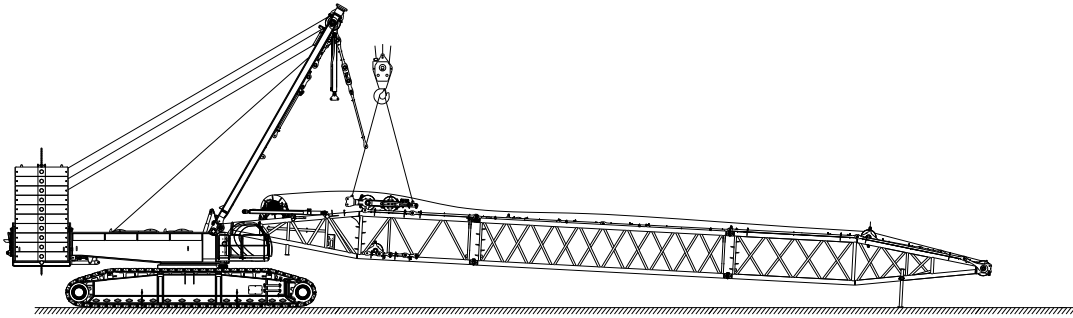
### 1) Assembly Schematics



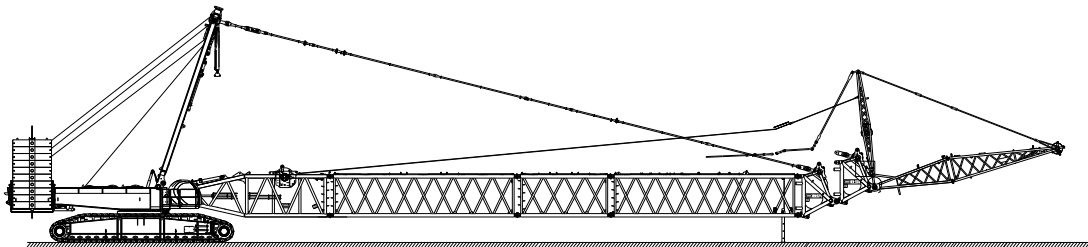
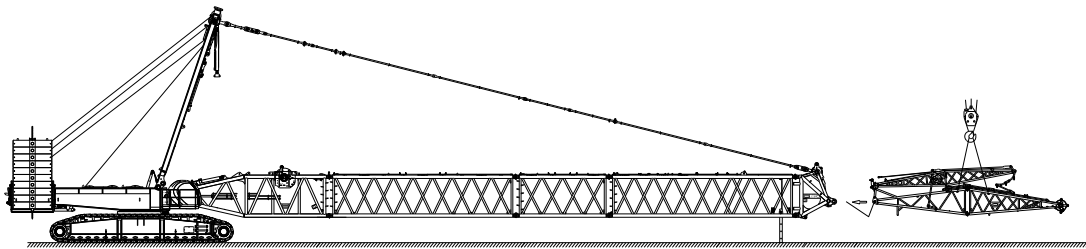
### 2) Superlift Mast Assembly



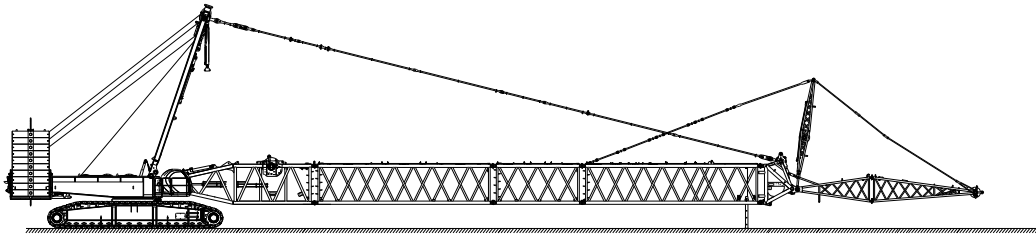
## Assembly Schematics



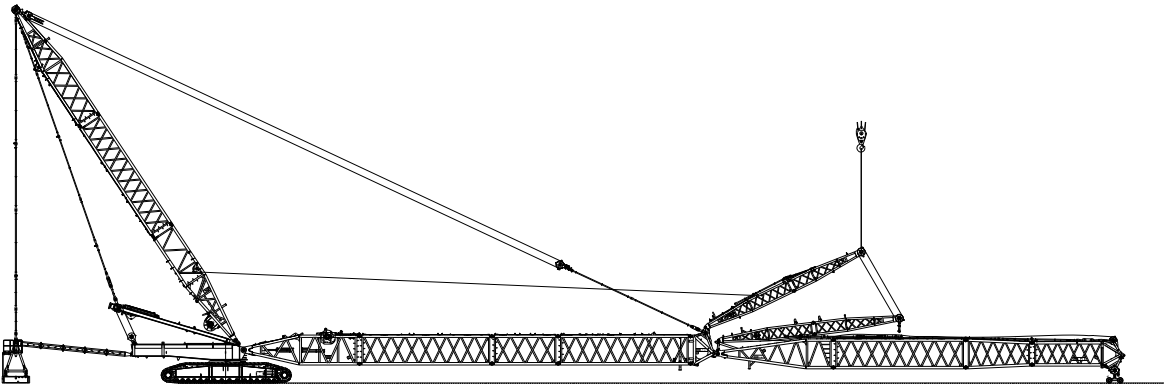
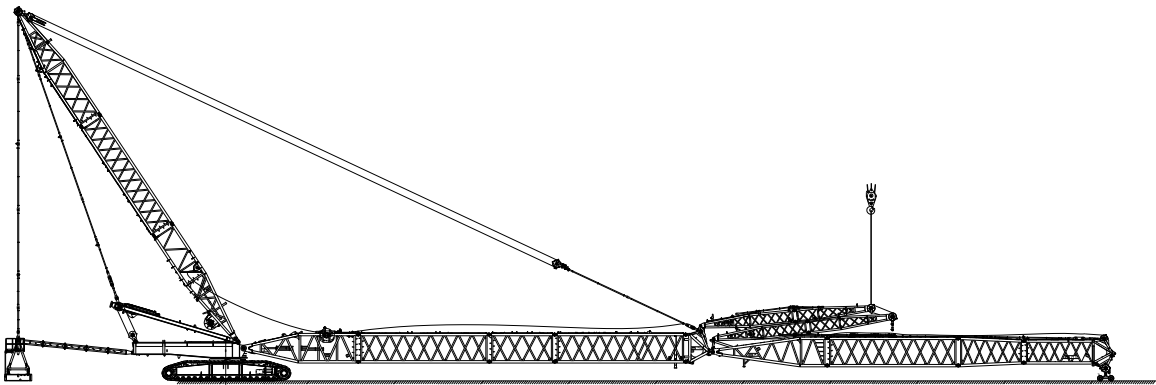
### 3) Fixed jib assembly schematics



## Assembly Schematics

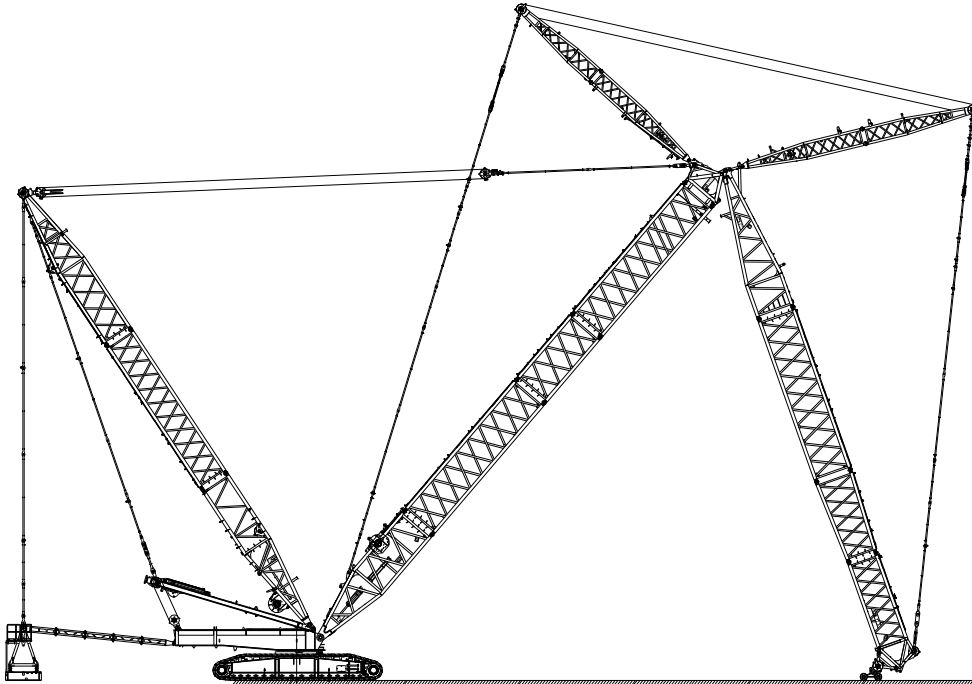
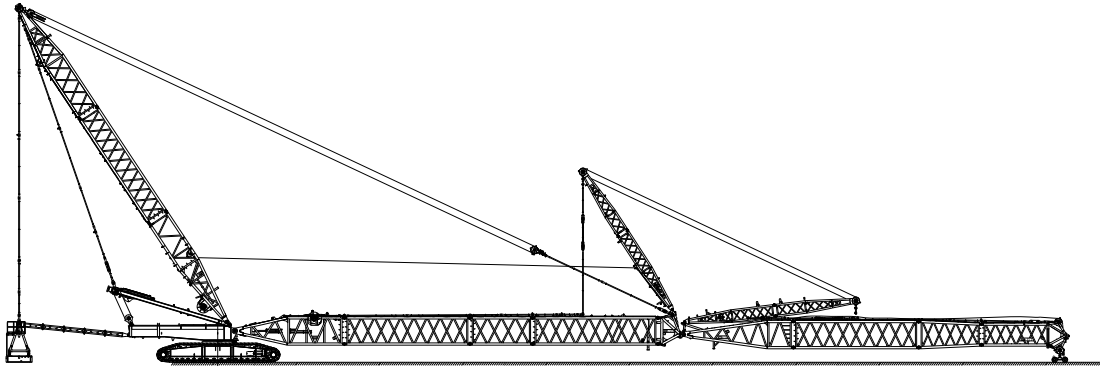


### 4) Luffing jib assembly schematics





## Assembly Schematics



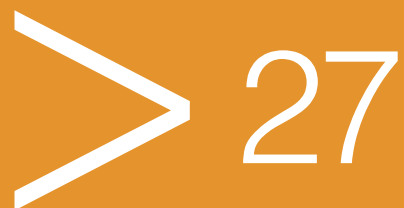


# **SCC6500A** **SANY CRAWLER CRANE** **650 TONS LIFTING CAPACITY**

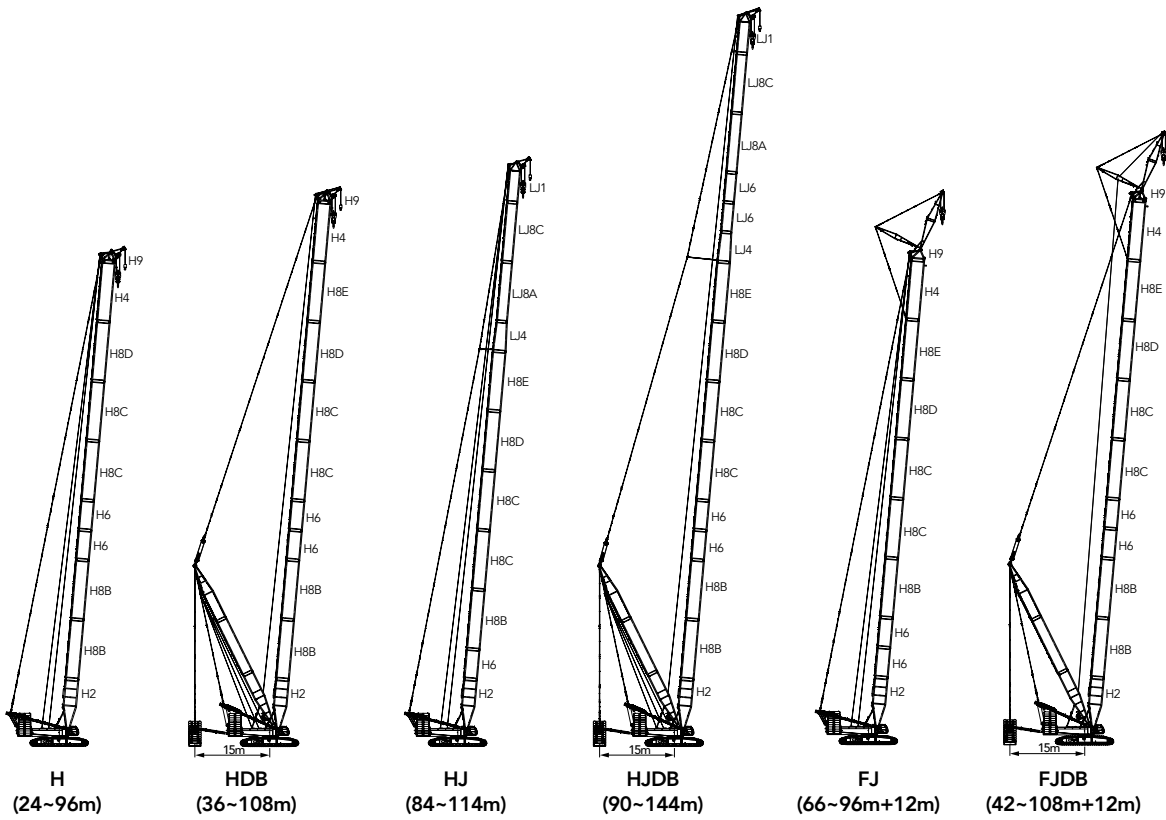
QUALITY CHANGES THE WORLD

## Cofigurations

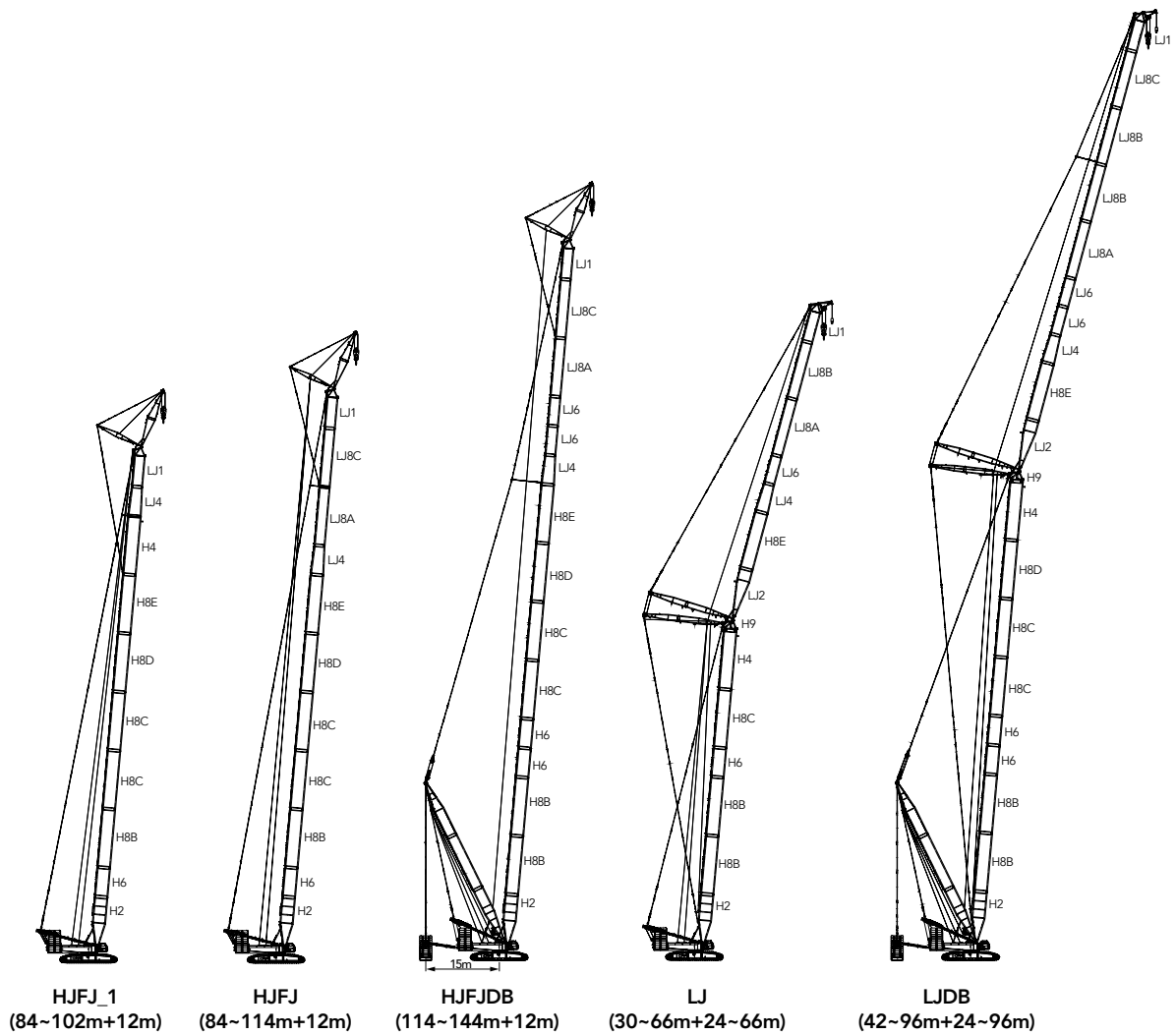
- Page 31 H Configuration
- Page 34 HDB Configuration
- Page 40 HJ Configuration
- Page 43 HJDB Configuration
- Page 49 HJDB\_4 Configuration
- Page 51 HJDB\_5 Configuration
- Page 53 HJDB\_7 Configuration
- Page 66 FJ Configuration
- Page 71 FJDB Configuration
- Page 76 HJFJ\_1 Configuration
- Page 81 HJFJ Configuration
- Page 86 HJFJDB Configuration
- Page 91 HJFJDB\_4 Configuration
- Page 93 HJFJDB\_5 Configuration
- Page 95 HJFJDB\_7 Configuration
- Page 124 LJ Configuration
- Page 133 LJDB Configuration



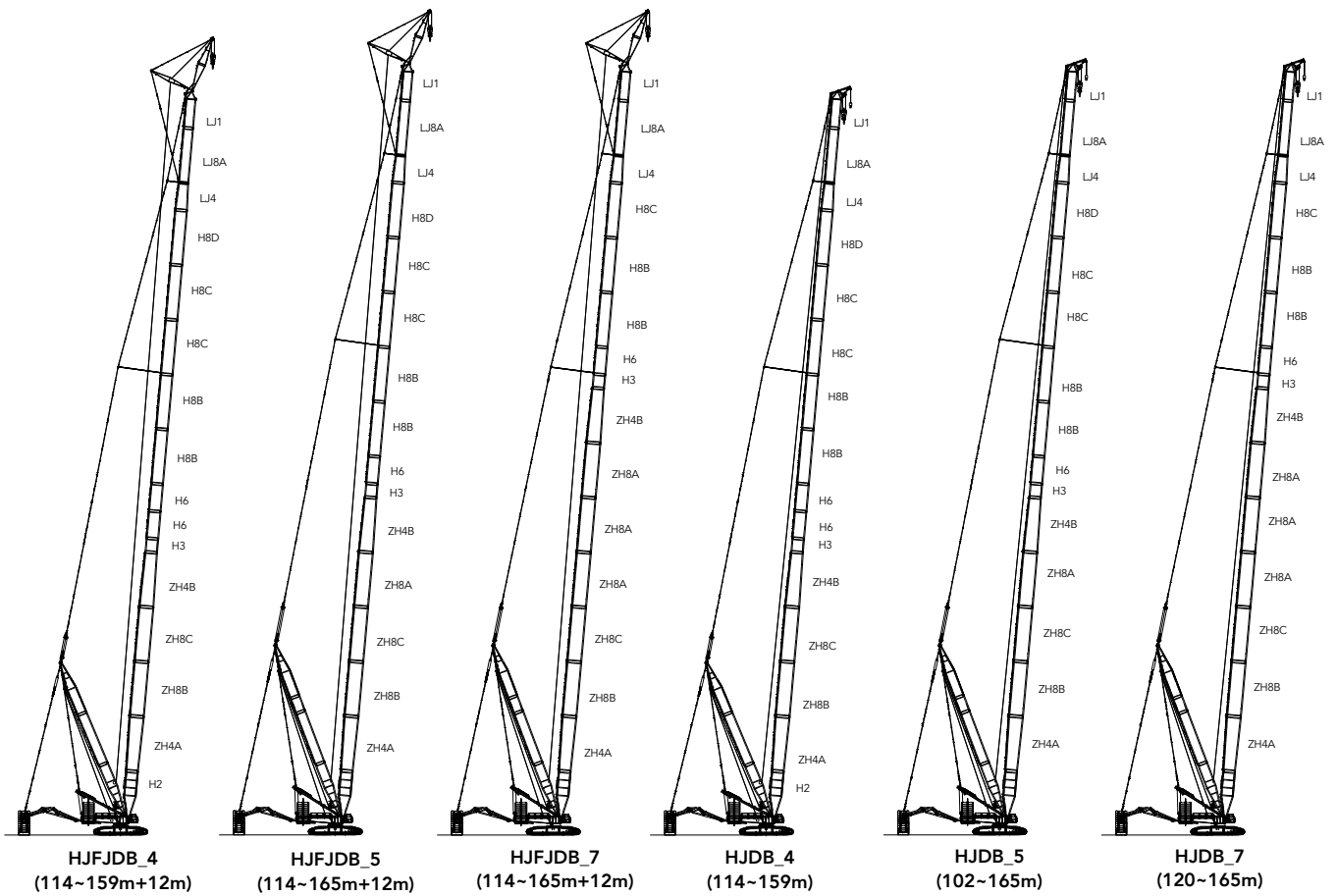
**Combination**



**Combination**



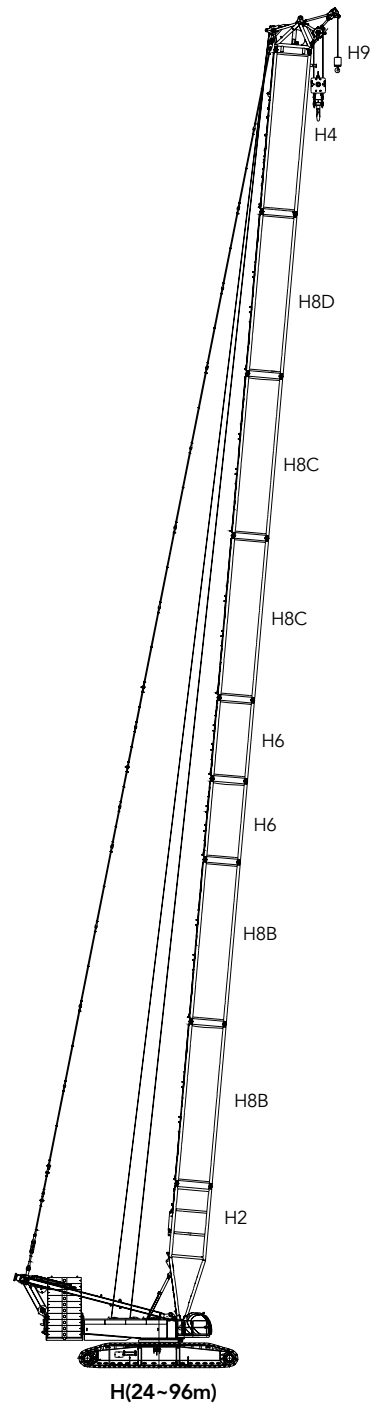
**Combination**



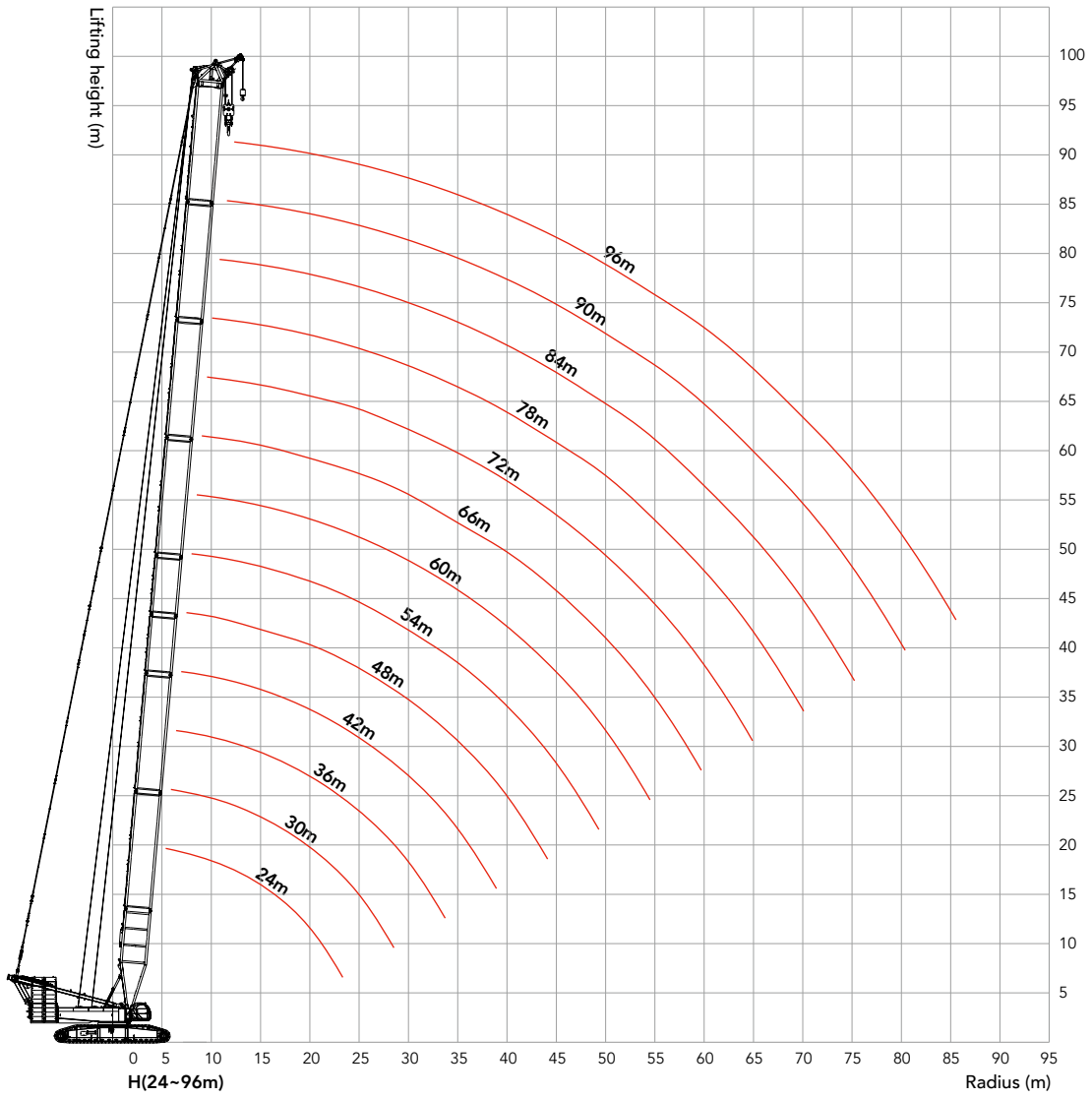
## H Boom Combination

| H Boom Combination |        |     |
|--------------------|--------|-----|
| Boom length (m)    | Insert |     |
|                    | 6m     | 12m |
| 24                 | -      | -   |
| 30                 | 1      | -   |
| 36                 | 2      | -   |
| 42                 | 1      | 1   |
| 48                 | 2      | 1   |
| 54                 | 1      | 2   |
| 60                 | 2      | 2   |
| 66                 | 1      | 3   |
| 72                 | 2      | 3   |
| 78                 | 1      | 4   |
| 84                 | 2      | 4   |
| 90                 | 1      | 5   |
| 96                 | 2      | 5   |

Note: 24m basic boom consists 10.5m boom base, 12m transitional section, and connecting tip (boom tip).



## H Work Radius





Unit: t

## Load Chart of H Configuration

All load charts are calculated based on the following notes:

1. The rated capacity listed in the load charts are in compliance with EN13000.
2. The maximum allowable wind speed for the rated load is 9.8m/s.
3. The rated capacity listed in all load charts includes the weight of hook, wire rope and other riggings, therefore, the actual rated capacity shall deduct the weight of these components.
4. The rated load of the main hook with extension jib equals to the value in the load table deducting 1t as the equivalent weight of extension jib.

### SCC6500A Crawler Crane - Load Chart of H Configuration 1/1

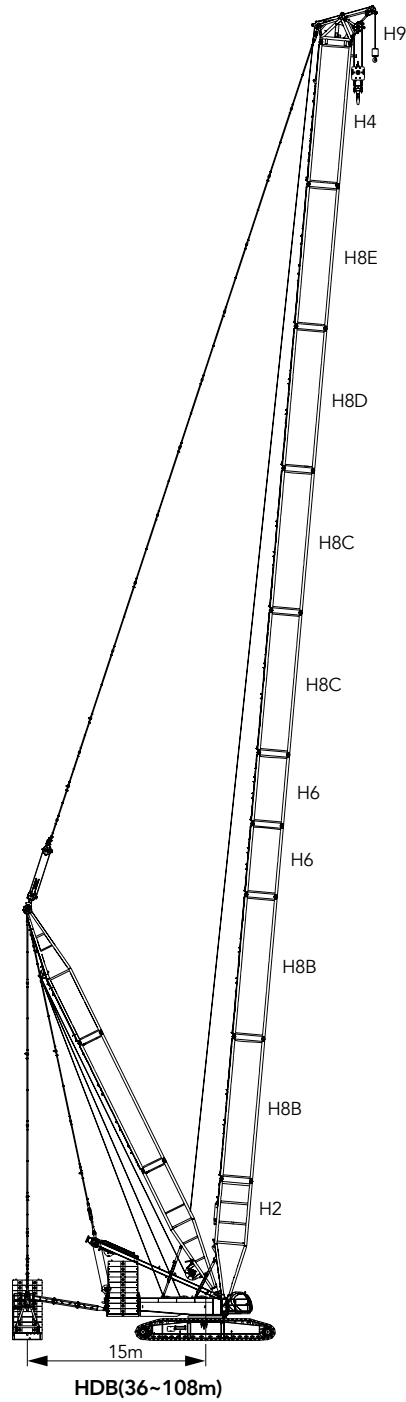
The boom length ranges 24m ~ 96m, the rear counterweight is 210t, the carbody counterweight is 60t

| Radius (m) | 24  | 30  | 36  | 42  | 48   | 54   | 60   | 66   | 72   | 78   | 84   | 90   | 96   | Radius (m) |
|------------|-----|-----|-----|-----|------|------|------|------|------|------|------|------|------|------------|
| 5.5        | 650 |     |     |     |      |      |      |      |      |      |      |      |      | 5.5        |
| 6          | 622 | 610 |     |     |      |      |      |      |      |      |      |      |      | 6          |
| 7          | 560 | 554 | 548 |     |      |      |      |      |      |      |      |      |      | 7          |
| 8          | 484 | 480 | 475 | 468 | 433  |      |      |      |      |      |      |      |      | 8          |
| 9          | 426 | 422 | 418 | 412 | 380  | 370  | 351  |      |      |      |      |      |      | 9          |
| 10         | 380 | 376 | 370 | 362 | 345  | 333  | 315  | 302  | 287  |      |      |      |      | 10         |
| 11         | 340 | 336 | 325 | 317 | 309  | 300  | 286  | 275  | 262  | 250  | 239  |      |      | 11         |
| 12         | 298 | 297 | 288 | 280 | 275  | 267  | 258  | 248  | 239  | 230  | 218  | 208  | 200  | 12         |
| 14         | 231 | 232 | 231 | 228 | 225  | 219  | 212  | 205  | 198  | 192  | 185  | 175  | 168  | 14         |
| 16         | 190 | 188 | 187 | 186 | 184  | 181  | 179  | 172  | 168  | 163  | 157  | 151  | 145  | 16         |
| 18         | 158 | 158 | 157 | 156 | 153  | 150  | 149  | 147  | 145  | 140  | 137  | 132  | 127  | 18         |
| 20         | 137 | 136 | 134 | 133 | 131  | 129  | 127  | 126  | 125  | 122  | 120  | 116  | 112  | 20         |
| 22         | 120 | 118 | 117 | 115 | 113  | 112  | 111  | 109  | 108  | 107  | 105  | 102  | 98   | 22         |
| 24         |     | 105 | 104 | 102 | 100  | 99   | 97   | 96   | 95   | 94   | 93   | 90   | 86   | 24         |
| 26         |     | 94  | 93  | 91  | 89   | 88   | 87   | 85   | 84   | 83   | 82   | 79   | 76   | 26         |
| 28         |     | 85  | 84  | 82  | 79   | 78   | 77   | 76   | 75   | 74   | 73   | 70   | 68   | 28         |
| 30         |     |     | 77  | 74  | 71   | 70   | 70   | 68   | 67   | 66   | 65   | 63   | 61   | 30         |
| 32         |     |     | 72  | 68  | 64   | 63   | 62   | 61   | 60   | 59   | 58   | 57   | 55   | 32         |
| 34         |     |     |     | 62  | 58   | 57   | 56   | 55   | 54   | 53   | 52   | 51   | 49.5 | 34         |
| 36         |     |     |     | 56  | 52   | 52   | 51   | 51   | 50   | 48.0 | 47.0 | 46.0 | 44.5 | 36         |
| 38         |     |     |     | 52  | 48.5 | 48.0 | 47.0 | 46.0 | 45.0 | 43.5 | 42.5 | 41.5 | 39.5 | 38         |
| 40         |     |     |     |     | 45.0 | 44.5 | 42.5 | 42.5 | 41.0 | 39.5 | 38.5 | 37.0 | 35.5 | 40         |
| 44         |     |     |     |     | 39.0 | 38.0 | 37.0 | 36.0 | 34.0 | 32.5 | 31.5 | 30.5 | 28.6 | 44         |
| 48         |     |     |     |     |      | 33.5 | 32.0 | 30.5 | 28.6 | 27.2 | 26.2 | 25.2 | 23.7 | 48         |
| 52         |     |     |     |     |      |      | 27.5 | 25.9 | 24.2 | 23.3 | 21.5 | 20.8 | 19.4 | 52         |
| 56         |     |     |     |     |      |      |      | 22.4 | 20.2 | 19.4 | 17.6 | 17.1 | 15.5 | 56         |
| 60         |     |     |     |     |      |      |      |      | 16.6 | 15.7 | 13.8 | 13.3 | 11.7 | 60         |
| 64         |     |     |     |     |      |      |      |      | 13.5 | 12.5 | 10.6 | 10.0 | 8.4  | 64         |
| 68         |     |     |     |     |      |      |      |      |      | 9.9  | 7.8  | 7.3  | 6.1  | 68         |
| 72         |     |     |     |     |      |      |      |      |      |      | 6.1  | 5.6  |      | 72         |

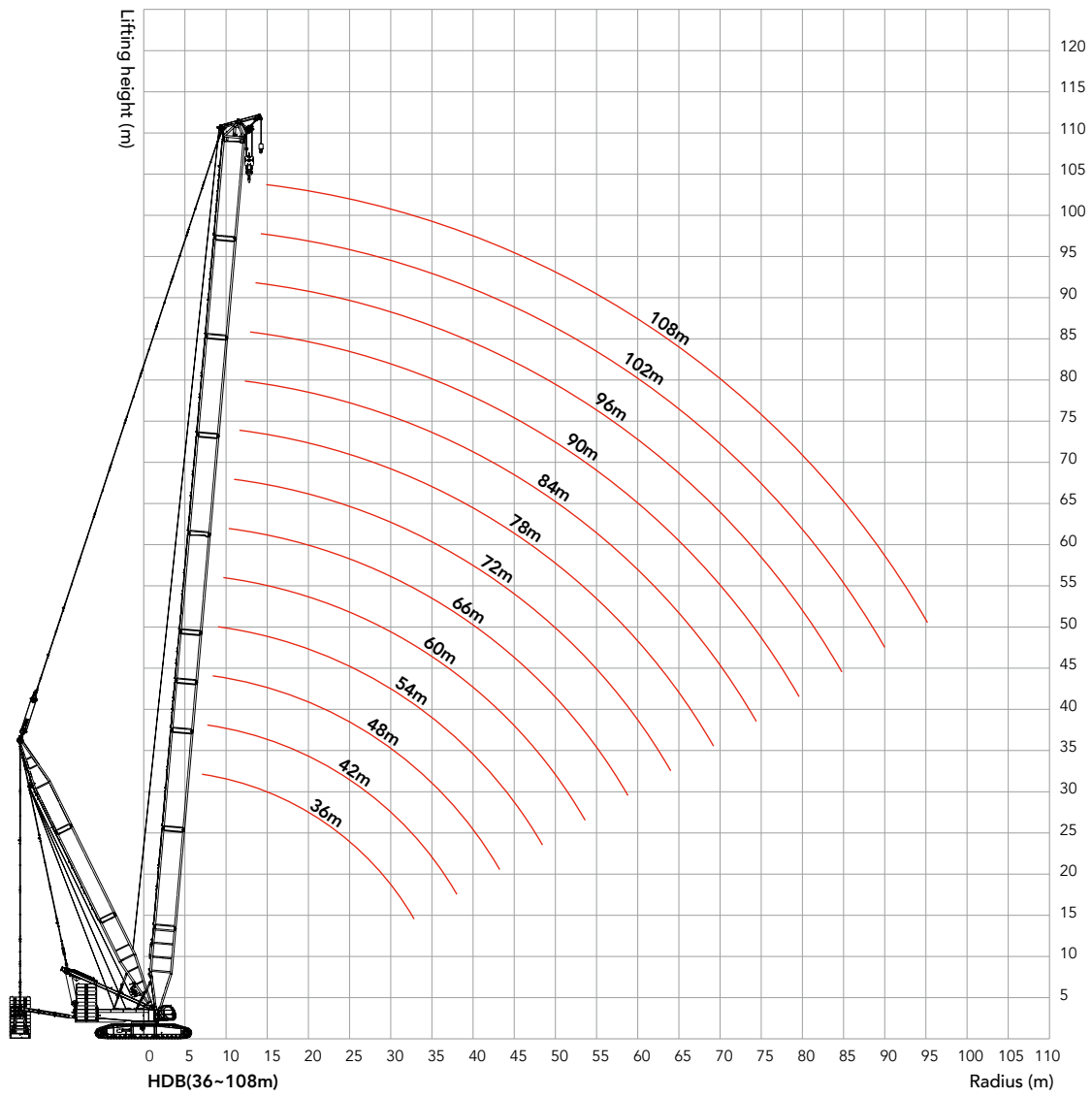
## HDB Boom Combination

| HDB Boom Combination |        |     |
|----------------------|--------|-----|
| Boom length (m)      | Insert |     |
|                      | 6m     | 12m |
| 36                   | 2      | -   |
| 42                   | 1      | 1   |
| 48                   | 2      | 1   |
| 54                   | 1      | 2   |
| 60                   | 2      | 2   |
| 66                   | 1      | 3   |
| 72                   | 2      | 3   |
| 78                   | 1      | 4   |
| 84                   | 2      | 4   |
| 90                   | 1      | 5   |
| 96                   | 2      | 5   |
| 102                  | 1      | 6   |
| 108                  | 2      | 6   |

Notes: The 10.5m boom base, 12m transition boom and the boom head are must.



### HDB Work Radius



## Load Chart of HDB Configuration

### SCC6500A Crawler Crane - Load Chart of HDB Configuration 1/4

The boom length ranges 36~108m, the superlift radius is 19m, the superlift counterweight is 0~310t, the rear counterweight is 210t, the carbody counterweight is 60t

| Radius (m) | 36  | 42  | 48  | 54  | 60  | 66  | 72  | 78   | 84   | 90   | 96   | 102  | 108  | Radius (m) |
|------------|-----|-----|-----|-----|-----|-----|-----|------|------|------|------|------|------|------------|
| 7          | 650 |     |     |     |     |     |     |      |      |      |      |      |      | 7          |
| 8          | 650 | 650 | 650 |     |     |     |     |      |      |      |      |      |      | 8          |
| 9          | 650 | 650 | 650 | 650 | 602 |     |     |      |      |      |      |      |      | 9          |
| 10         | 650 | 650 | 650 | 648 | 595 | 510 | 453 |      |      |      |      |      |      | 10         |
| 11         | 650 | 649 | 648 | 645 | 589 | 503 | 453 | 388  | 338  |      |      |      |      | 11         |
| 12         | 650 | 648 | 646 | 644 | 584 | 496 | 448 | 388  | 338  | 301  | 266  |      |      | 12         |
| 14         | 595 | 581 | 565 | 563 | 560 | 476 | 435 | 387  | 338  | 301  | 266  | 226  | 201  | 14         |
| 16         | 518 | 528 | 524 | 507 | 481 | 454 | 423 | 380  | 335  | 301  | 266  | 227  | 201  | 16         |
| 18         | 447 | 478 | 476 | 473 | 453 | 431 | 407 | 371  | 330  | 300  | 265  | 226  | 202  | 18         |
| 20         | 413 | 424 | 425 | 423 | 420 | 414 | 403 | 359  | 325  | 298  | 264  | 226  | 201  | 20         |
| 22         | 373 | 376 | 384 | 382 | 379 | 375 | 366 | 356  | 320  | 296  | 262  | 227  | 201  | 22         |
| 24         | 351 | 353 | 350 | 348 | 345 | 341 | 334 | 326  | 316  | 294  | 259  | 225  | 201  | 24         |
| 26         | 313 | 323 | 321 | 319 | 317 | 315 | 307 | 300  | 292  | 284  | 257  | 226  | 201  | 26         |
| 28         | 279 | 299 | 296 | 294 | 292 | 291 | 289 | 278  | 270  | 264  | 254  | 225  | 201  | 28         |
| 30         | 265 | 277 | 275 | 273 | 271 | 269 | 267 | 265  | 252  | 246  | 239  | 225  | 201  | 30         |
| 32         | 236 | 257 | 256 | 254 | 252 | 251 | 249 | 246  | 245  | 230  | 224  | 218  | 200  | 32         |
| 34         |     | 241 | 239 | 238 | 236 | 234 | 232 | 230  | 229  | 216  | 210  | 205  | 199  | 34         |
| 36         |     | 224 | 224 | 223 | 221 | 220 | 218 | 215  | 214  | 213  | 198  | 193  | 188  | 36         |
| 38         |     | 213 | 211 | 210 | 208 | 207 | 205 | 202  | 201  | 200  | 198  | 183  | 177  | 38         |
| 40         |     |     | 199 | 198 | 196 | 195 | 193 | 190  | 190  | 189  | 187  | 173  | 168  | 40         |
| 44         |     |     | 179 | 177 | 175 | 174 | 173 | 170  | 169  | 169  | 167  | 166  | 152  | 44         |
| 48         |     |     |     | 160 | 158 | 157 | 156 | 153  | 152  | 152  | 150  | 149  | 147  | 48         |
| 52         |     |     |     |     | 144 | 143 | 141 | 139  | 138  | 137  | 136  | 135  | 133  | 52         |
| 56         |     |     |     |     |     | 130 | 129 | 126  | 126  | 125  | 123  | 122  | 121  | 56         |
| 60         |     |     |     |     |     |     | 118 | 115  | 115  | 114  | 113  | 112  | 110  | 60         |
| 64         |     |     |     |     |     |     | 109 | 106  | 106  | 105  | 103  | 102  | 101  | 64         |
| 68         |     |     |     |     |     |     |     | 97.6 | 97.4 | 96.7 | 95   | 94.1 | 92.4 | 68         |
| 72         |     |     |     |     |     |     |     |      | 90.1 | 89.4 | 87.6 | 86.8 | 85.1 | 72         |

Unit: t

## Load Chart of HDB Configuration

### SCC6500A Crawler Crane - Load Chart of HDB Configuration 2/4

The boom length ranges 36 ~ 108m, the superlift radius is 17m, the superlift counterweight is 0~310t, the rear counterweight is 210t, the carbody counterweight is 60t

| Radius (m) | 36  | 42  | 48  | 54  | 60  | 66  | 72  | 78   | 84   | 90   | 96   | 102  | 108  | Radius (m) |
|------------|-----|-----|-----|-----|-----|-----|-----|------|------|------|------|------|------|------------|
| 7          | 650 |     |     |     |     |     |     |      |      |      |      |      |      | 7          |
| 8          | 650 | 650 | 650 |     |     |     |     |      |      |      |      |      |      | 8          |
| 9          | 650 | 650 | 650 | 650 | 602 |     |     |      |      |      |      |      |      | 9          |
| 10         | 650 | 650 | 650 | 648 | 595 | 510 | 453 |      |      |      |      |      |      | 10         |
| 11         | 650 | 649 | 648 | 645 | 584 | 503 | 453 | 388  | 338  |      |      |      |      | 11         |
| 12         | 650 | 648 | 646 | 644 | 584 | 496 | 448 | 388  | 338  | 301  | 267  |      |      | 12         |
| 14         | 586 | 586 | 565 | 563 | 560 | 476 | 435 | 387  | 338  | 301  | 267  | 228  | 202  | 14         |
| 16         | 512 | 509 | 505 | 502 | 481 | 454 | 423 | 380  | 335  | 301  | 266  | 227  | 203  | 16         |
| 18         | 452 | 449 | 446 | 444 | 441 | 430 | 407 | 360  | 330  | 300  | 265  | 228  | 203  | 18         |
| 20         | 397 | 402 | 399 | 397 | 394 | 392 | 373 | 360  | 325  | 298  | 264  | 229  | 202  | 20         |
| 22         | 365 | 363 | 360 | 358 | 356 | 354 | 351 | 346  | 316  | 296  | 262  | 227  | 203  | 22         |
| 24         | 333 | 331 | 328 | 326 | 324 | 322 | 320 | 317  | 306  | 280  | 259  | 228  | 202  | 24         |
| 26         | 305 | 303 | 301 | 299 | 297 | 295 | 293 | 290  | 283  | 274  | 250  | 228  | 202  | 26         |
| 28         | 281 | 280 | 277 | 275 | 273 | 272 | 270 | 267  | 263  | 255  | 233  | 225  | 201  | 28         |
| 30         | 261 | 259 | 257 | 255 | 253 | 252 | 250 | 247  | 246  | 239  | 230  | 211  | 201  | 30         |
| 32         | 234 | 242 | 239 | 238 | 236 | 234 | 232 | 230  | 229  | 224  | 216  | 210  | 191  | 32         |
| 34         |     | 226 | 224 | 222 | 220 | 219 | 217 | 214  | 214  | 211  | 204  | 198  | 191  | 34         |
| 36         |     | 212 | 210 | 208 | 206 | 205 | 203 | 201  | 200  | 199  | 193  | 187  | 180  | 36         |
| 38         |     | 199 | 197 | 196 | 194 | 193 | 191 | 188  | 188  | 187  | 182  | 177  | 171  | 38         |
| 40         |     |     | 186 | 185 | 183 | 182 | 180 | 177  | 177  | 176  | 173  | 168  | 162  | 40         |
| 44         |     |     | 167 | 165 | 163 | 162 | 161 | 158  | 158  | 157  | 155  | 153  | 147  | 44         |
| 48         |     |     |     | 149 | 147 | 146 | 145 | 142  | 142  | 141  | 139  | 138  | 134  | 48         |
| 52         |     |     |     |     | 134 | 133 | 131 | 129  | 128  | 127  | 125  | 125  | 123  | 52         |
| 56         |     |     |     |     |     | 121 | 119 | 117  | 116  | 116  | 114  | 113  | 111  | 56         |
| 60         |     |     |     |     |     |     | 109 | 107  | 106  | 106  | 104  | 103  | 101  | 60         |
| 64         |     |     |     |     |     |     | 100 | 97.8 | 97.6 | 96.8 | 95.1 | 94.2 | 92.5 | 64         |
| 68         |     |     |     |     |     |     |     | 89.9 | 89.7 | 89   | 87.3 | 86.4 | 84.7 | 68         |
| 72         |     |     |     |     |     |     |     |      | 82.8 | 82.1 | 80.4 | 79.5 | 77.8 | 72         |

## Load Chart of HDB Configuration

### SCC6500A Crawler Crane - Load Chart of HDB Configuration 3/4

The boom length ranges 36 ~ 108m, the superlift radius is 15m, the superlift counterweight is 0~310t,  
the rear counterweight is 210t, the carbody counterweight is 60t

| Radius (m) | 36  | 42  | 48  | 54  | 60  | 66  | 72  | 78   | 84   | 90   | 96   | 102  | 108  | Radius (m) |    |
|------------|-----|-----|-----|-----|-----|-----|-----|------|------|------|------|------|------|------------|----|
| 7          | 650 |     |     |     |     |     |     |      |      |      |      |      |      | 7          |    |
| 8          | 650 | 650 | 650 |     |     |     |     |      |      |      |      |      |      | 8          |    |
| 9          | 650 | 650 | 650 | 650 | 602 |     |     |      |      |      |      |      |      | 9          |    |
| 10         | 650 | 650 | 650 | 648 | 595 | 510 | 453 |      |      |      |      |      |      | 10         |    |
| 11         | 650 | 649 | 648 | 645 | 584 | 503 | 453 | 388  | 338  |      |      |      |      | 11         |    |
| 12         | 649 | 644 | 630 | 635 | 584 | 496 | 448 | 388  | 338  | 301  | 267  |      |      | 12         |    |
| 14         | 551 | 548 | 544 | 541 | 537 | 476 | 435 | 387  | 338  | 301  | 267  | 228  | 204  | 14         |    |
| 16         | 479 | 476 | 472 | 470 | 466 | 453 | 423 | 380  | 335  | 301  | 266  | 229  | 204  | 16         |    |
| 18         | 423 | 420 | 417 | 414 | 412 | 409 | 399 | 360  | 330  | 300  | 265  | 230  | 204  | 18         |    |
| 20         | 378 | 375 | 373 | 370 | 368 | 366 | 361 | 345  | 329  | 298  | 264  | 229  | 203  | 20         |    |
| 22         | 341 | 339 | 336 | 334 | 332 | 330 | 328 | 316  | 302  | 296  | 262  | 230  | 203  | 22         |    |
| 24         | 310 | 308 | 306 | 304 | 302 | 300 | 298 | 291  | 278  | 267  | 256  | 230  | 202  | 24         |    |
| 26         | 285 | 283 | 280 | 279 | 276 | 275 | 273 | 270  | 258  | 248  | 238  | 228  | 202  | 26         |    |
| 28         | 262 | 261 | 259 | 257 | 255 | 253 | 251 | 249  | 241  | 232  | 222  | 214  | 201  | 28         |    |
| 30         | 243 | 242 | 240 | 238 | 236 | 234 | 232 | 230  | 229  | 217  | 208  | 201  | 192  | 30         |    |
| 32         | 227 | 225 | 223 | 221 | 219 | 218 | 216 | 214  | 213  | 211  | 196  | 189  | 181  | 32         |    |
| 34         |     | 210 | 208 | 207 | 205 | 203 | 202 | 199  | 198  | 197  | 195  | 178  | 171  | 34         |    |
| 36         |     | 197 | 195 | 194 | 192 | 191 | 189 | 186  | 185  | 184  | 182  | 169  | 162  | 36         |    |
| 38         |     | 185 | 183 | 182 | 180 | 179 | 177 | 175  | 174  | 173  | 171  | 170  | 154  | 38         |    |
| 40         |     |     | 173 | 171 | 170 | 169 | 167 | 164  | 164  | 163  | 161  | 160  | 156  | 40         |    |
| 44         |     |     | 155 | 153 | 151 | 151 | 149 | 146  | 146  | 145  | 143  | 142  | 140  | 44         |    |
| 48         |     |     |     | 138 | 136 | 135 | 134 | 131  | 131  | 130  | 128  | 127  | 125  | 48         |    |
| 52         |     |     |     |     | 124 | 123 | 121 | 118  | 118  | 117  | 115  | 114  | 113  | 52         |    |
| 56         |     |     |     |     |     | 112 | 110 | 107  | 107  | 106  | 105  | 104  | 102  | 56         |    |
| 60         |     |     |     |     |     |     | 100 | 97.9 | 97.7 | 96.9 | 95.2 | 94.3 | 92.5 | 60         |    |
| 64         |     |     |     |     |     |     |     | 92.1 | 89.5 | 89.4 | 88.6 | 86.9 | 86   | 84.3       | 64 |
| 68         |     |     |     |     |     |     |     |      | 82.1 | 82   | 81.3 | 79.6 | 78.8 | 77         | 68 |
| 72         |     |     |     |     |     |     |     |      |      | 75.5 | 74.8 | 73.1 | 72.3 | 70.5       | 72 |

Unit: t

## Load Chart of HDB Configuration

### SCC6500A Crawler Crane - Load Chart of HDB Configuration 4/4

The boom length ranges 36 ~ 108m, the superlift radius is 13m, the superlift counterweight is 0~310t, the rear counterweight is 210t, the carbody counterweight is 60t

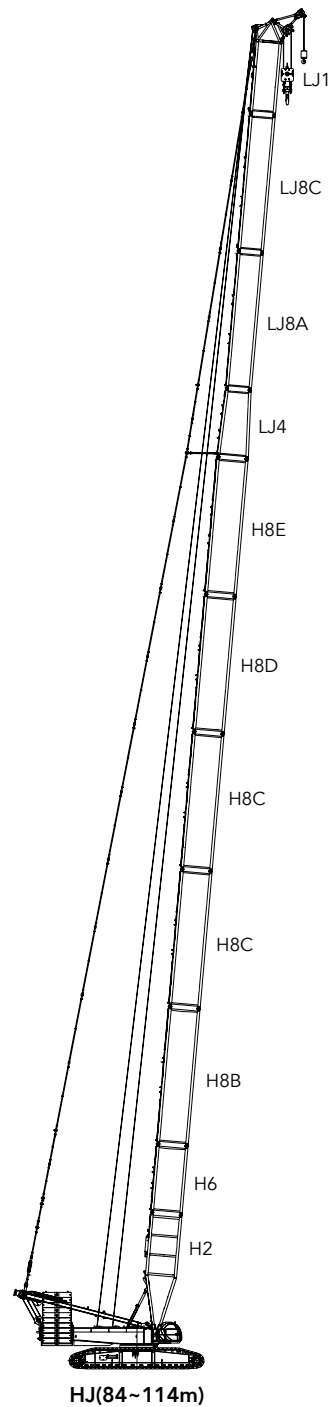
| Radius (m) | 36  | 42  | 48  | 54  | 60  | 66  | 72   | 78   | 84   | 90   | 96   | 102  | 108  | Radius (m) |
|------------|-----|-----|-----|-----|-----|-----|------|------|------|------|------|------|------|------------|
| 7          | 650 |     |     |     |     |     |      |      |      |      |      |      |      | 7          |
| 8          | 650 | 650 | 650 |     |     |     |      |      |      |      |      |      |      | 8          |
| 9          | 650 | 650 | 650 | 650 | 602 |     |      |      |      |      |      |      |      | 9          |
| 10         | 650 | 650 | 650 | 648 | 595 | 510 | 453  |      |      |      |      |      |      | 10         |
| 11         | 650 | 649 | 648 | 645 | 584 | 503 | 453  | 388  | 338  |      |      |      |      | 11         |
| 12         | 604 | 600 | 595 | 586 | 565 | 496 | 448  | 387  | 338  | 301  | 267  |      |      | 12         |
| 14         | 513 | 510 | 506 | 503 | 499 | 473 | 432  | 380  | 338  | 301  | 267  | 230  | 204  | 14         |
| 16         | 446 | 443 | 439 | 437 | 434 | 431 | 403  | 360  | 335  | 301  | 266  | 231  | 204  | 16         |
| 18         | 393 | 391 | 388 | 385 | 382 | 380 | 377  | 328  | 330  | 300  | 265  | 232  | 204  | 18         |
| 20         | 351 | 349 | 346 | 344 | 341 | 340 | 337  | 301  | 310  | 295  | 264  | 232  | 203  | 20         |
| 22         | 317 | 315 | 312 | 310 | 308 | 306 | 304  | 278  | 285  | 272  | 259  | 231  | 203  | 22         |
| 24         | 288 | 286 | 284 | 282 | 280 | 278 | 276  | 254  | 264  | 252  | 240  | 229  | 202  | 24         |
| 26         | 264 | 262 | 260 | 258 | 256 | 255 | 253  | 234  | 246  | 235  | 224  | 214  | 200  | 26         |
| 28         | 244 | 242 | 240 | 238 | 236 | 235 | 232  | 216  | 229  | 220  | 210  | 201  | 191  | 28         |
| 30         | 226 | 224 | 222 | 220 | 218 | 217 | 215  | 201  | 211  | 207  | 197  | 189  | 180  | 30         |
| 32         | 210 | 208 | 206 | 205 | 203 | 202 | 200  | 187  | 196  | 195  | 186  | 178  | 170  | 32         |
| 34         |     | 195 | 193 | 191 | 189 | 188 | 186  | 175  | 183  | 182  | 177  | 169  | 161  | 34         |
| 36         |     | 182 | 181 | 179 | 177 | 176 | 174  | 164  | 171  | 170  | 168  | 161  | 153  | 36         |
| 38         |     | 171 | 170 | 168 | 166 | 165 | 163  | 154  | 160  | 159  | 157  | 153  | 146  | 38         |
| 40         |     |     | 160 | 158 | 156 | 155 | 154  | 137  | 150  | 150  | 148  | 146  | 139  | 40         |
| 44         |     |     | 143 | 141 | 140 | 139 | 137  | 123  | 134  | 133  | 131  | 130  | 128  | 44         |
| 48         |     |     |     | 127 | 125 | 124 | 123  | 111  | 120  | 119  | 117  | 116  | 114  | 48         |
| 52         |     |     |     |     | 113 | 113 | 111  | 101  | 108  | 107  | 105  | 104  | 103  | 52         |
| 56         |     |     |     |     |     | 102 | 101  | 91.9 | 97.8 | 97   | 95.2 | 94.3 | 92.5 | 56         |
| 60         |     |     |     |     |     |     | 91.7 | 84   | 88.9 | 88.2 | 86.4 | 85.6 | 83.8 | 60         |
| 64         |     |     |     |     |     |     | 83.9 | 77   | 81.2 | 80.5 | 78.7 | 77.9 | 76.1 | 64         |
| 68         |     |     |     |     |     |     |      |      | 74.3 | 73.6 | 71.9 | 71.1 | 69.3 | 68         |
| 72         |     |     |     |     |     |     |      |      | 68.2 | 67.5 | 65.8 | 65   | 63.3 | 72         |

## HJ Boom Combination

### HJ Boom Combination

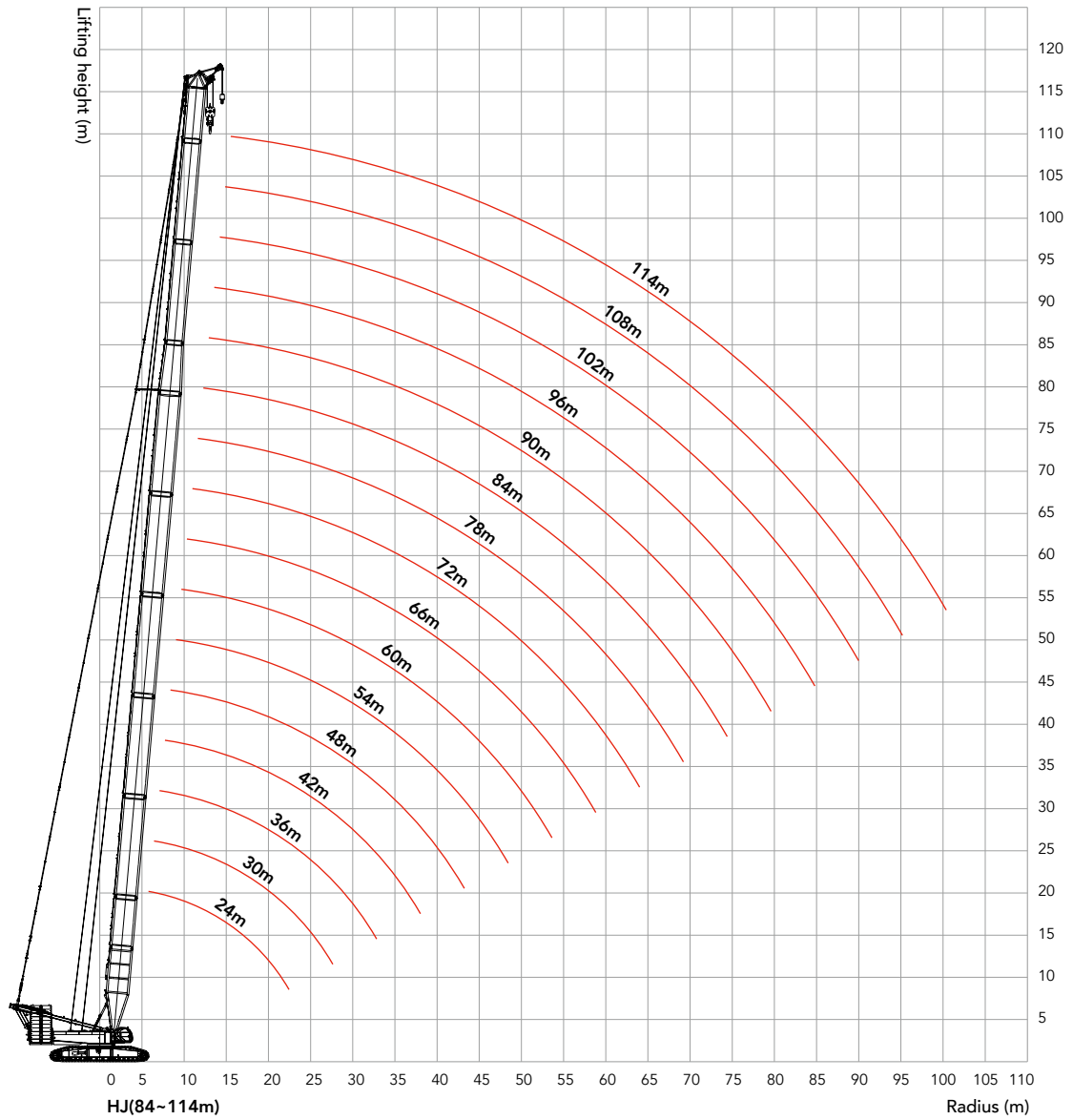
| Boom length (m) | Boom insert |     | Jib insert |
|-----------------|-------------|-----|------------|
|                 | 6m          | 12m | 12m        |
| 84              | -           | 4   | 1          |
| 90*             | 1           | 4   | 1          |
| 96*             | -           | 4   | 2          |
| 102*            | 1           | 4   | 2          |
| 108*            | -           | 5   | 2          |
| 114*            | 1           | 5   | 2          |

Notes: The 10.5m boom base, 6m tapered section and 7.5m jib top are must. Mid-suspension cable must be adopted for the working condition marked with \*, otherwise, there is danger of boom breaking.





## HJ Work Radius



## Load Chart of HJ Configuration

### SCC6500A Crawler Crane - Load Chart of HJ Configuration 1/1

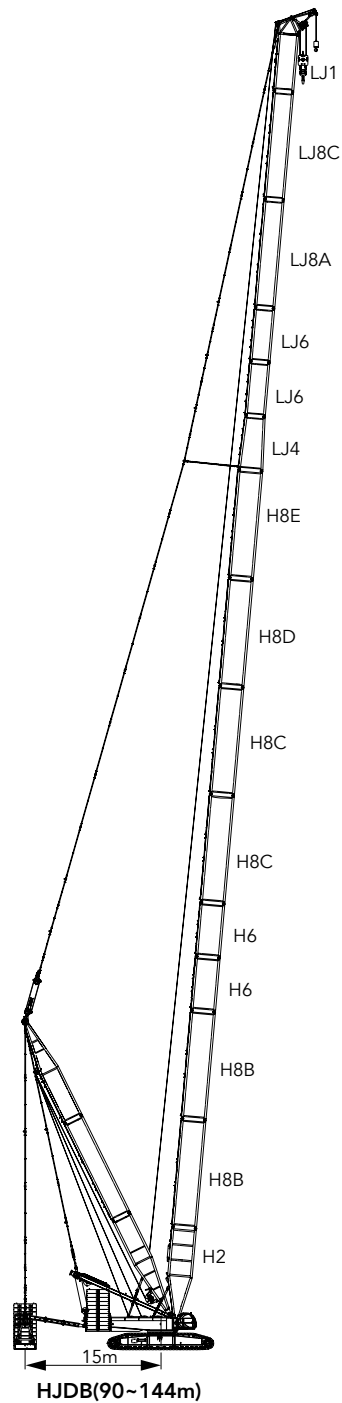
The boom length ranges 84m ~ 114m, the rear counterweight is 210t, the carbody counterweight is 60t

| Radius (m) | 84   | 90   | 96   | 102  | 108  | 114  | Radius (m) |
|------------|------|------|------|------|------|------|------------|
| 11         | 232  | 221  |      |      |      |      | 11         |
| 12         | 215  | 205  | 191  | 175  |      |      | 12         |
| 14         | 187  | 179  | 173  | 166  | 145  | 133  | 14         |
| 16         | 165  | 159  | 154  | 148  | 139  | 128  | 16         |
| 18         | 147  | 142  | 138  | 132  | 128  | 122  | 18         |
| 20         | 132  | 127  | 124  | 119  | 115  | 110  | 20         |
| 22         | 120  | 115  | 113  | 108  | 104  | 100  | 22         |
| 24         | 109  | 105  | 103  | 98.7 | 95.3 | 91.3 | 24         |
| 26         | 100  | 96.3 | 94.1 | 90.4 | 87.2 | 83.6 | 26         |
| 28         | 92.2 | 88.6 | 86.6 | 83.1 | 80.2 | 76.7 | 28         |
| 30         | 85.1 | 81.7 | 79.9 | 76.6 | 73.9 | 70.6 | 30         |
| 32         | 78.9 | 75.6 | 74   | 70.9 | 68.3 | 65.1 | 32         |
| 34         | 73.3 | 70.2 | 68.7 | 65.7 | 63.3 | 60.2 | 34         |
| 36         | 68.3 | 65.3 | 63.9 | 61.1 | 58.7 | 55.8 | 36         |
| 38         | 63.7 | 60.9 | 59.6 | 56.8 | 54.6 | 51.8 | 38         |
| 40         | 59.6 | 56.8 | 55.7 | 53   | 50.8 | 48.1 | 40         |
| 44         | 52.4 | 49.8 | 48.8 | 46.2 | 44.2 | 41.6 | 44         |
| 48         | 45.9 | 43.8 | 42.9 | 40.5 | 38.5 | 36   | 48         |
| 52         | 40.1 | 38.6 | 37.9 | 35.5 | 33.7 | 29.5 | 52         |
| 56         | 35.2 | 33.7 | 33.5 | 31.2 | 29.5 | 24.3 | 56         |
| 60         | 31   | 29.5 | 29.4 | 27.4 | 24.5 | 19.3 | 60         |
| 64         | 27.3 | 25.8 | 25.8 | 24.1 | 20.1 | 15.1 | 64         |
| 68         | 24.1 | 22.6 | 22.6 | 19.9 | 15.9 | 11.5 | 68         |
| 72         | 21.2 | 19.7 | 19.7 | 16.1 | 12.1 | 7.9  | 72         |
| 76         |      | 17.2 | 17.2 | 12.8 | 9    |      | 76         |
| 80         |      | 14.9 | 14.2 | 9.5  | 6.3  |      | 80         |
| 84         |      |      | 11.2 | 7    |      |      | 84         |

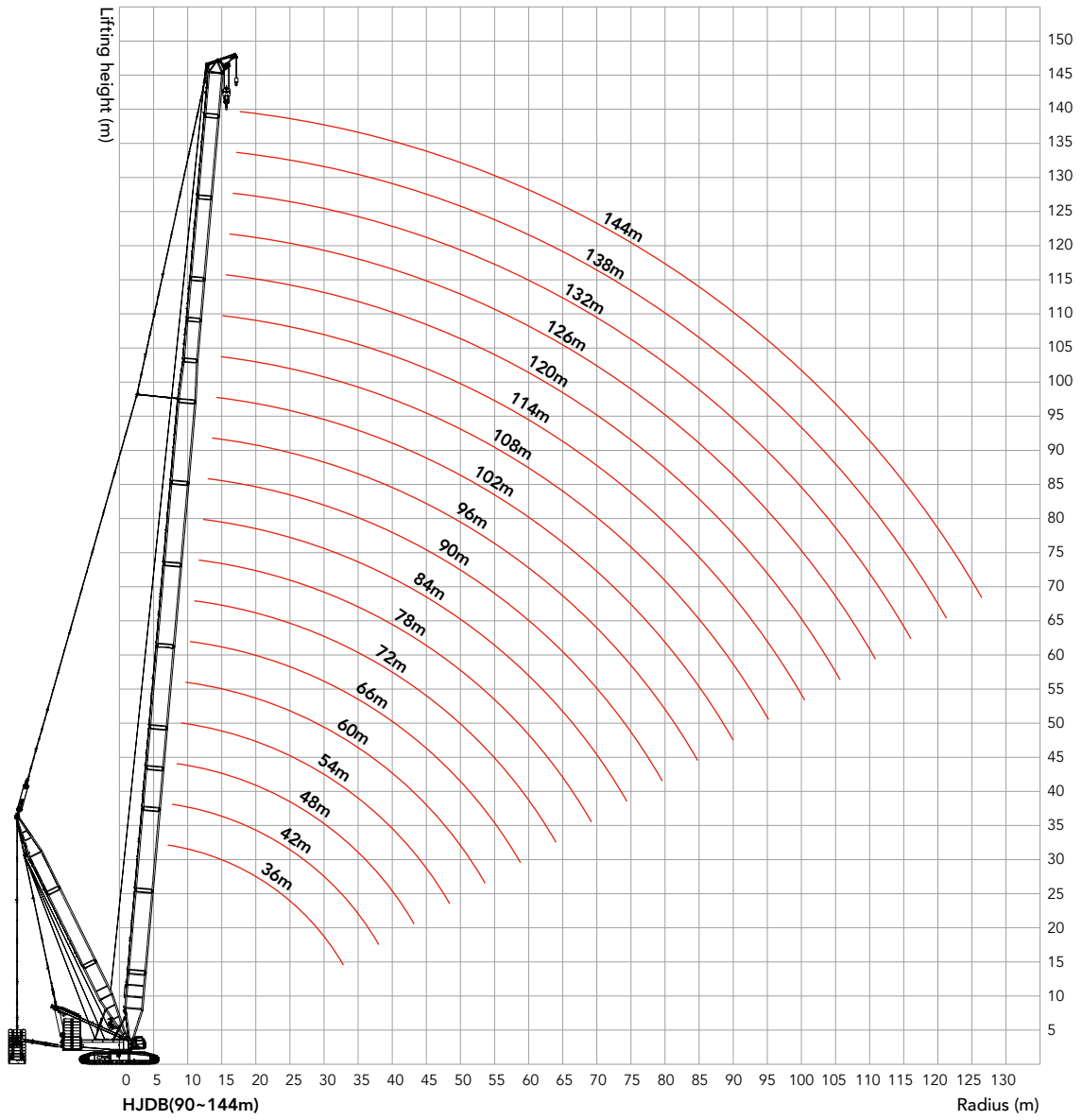
## HJDB Boom Combination

| HJDB Boom Combination |             |     |            |     |
|-----------------------|-------------|-----|------------|-----|
| Boom length (m)       | Boom insert |     | Jib insert |     |
|                       | 6m          | 12m | 6m         | 12m |
| 90*                   | 1           | 3   | -          | 2   |
| 96*                   | 2           | 3   | -          | 2   |
| 102*                  | 1           | 4   | -          | 2   |
| 108*                  | 2           | 4   | -          | 2   |
| 114*                  | 1           | 5   | -          | 2   |
| 120*                  | 2           | 5   | -          | 2   |
| 126*                  | 1           | 6   | -          | 2   |
| 132*                  | 2           | 6   | -          | 2   |
| 138*                  | 2           | 6   | 1          | 2   |
| 144*                  | 2           | 6   | 2          | 2   |

Notes: The 10.5m boom base, 6m tapered section and 7.5m jib top are must, The mid-point suspension cable must be used for configurations marked with \*; otherwise, there is danger of boom breaking.



# HJDB Work Radius



Unit: t

## Load Chart of HJDB Configuration

### SCC6500A Crawler Crane - Load Chart of HJDB Configuration 1/4

The boom length ranges 90 ~ 144m, the superlift radius is 19m, the superlift counterweight is 0~310t, the rear counterweight is 210t, the center counterweight is 60t

| Radius (m) | 90   | 96   | 102  | 108  | 114  | 120  | 126  | 132  | 138  | 144  | Radius (m) |
|------------|------|------|------|------|------|------|------|------|------|------|------------|
| 14         | 265  | 235  | 218  |      |      |      |      |      |      |      | 14         |
| 16         | 258  | 234  | 216  | 194  | 171  | 145  |      |      |      |      | 16         |
| 18         | 252  | 233  | 214  | 190  | 169  | 144  | 144  | 131  | 101  |      | 18         |
| 20         | 247  | 230  | 212  | 187  | 166  | 142  | 142  | 130  | 99.5 | 86.5 | 20         |
| 22         | 242  | 227  | 210  | 183  | 164  | 141  | 141  | 129  | 98.6 | 86.0 | 22         |
| 24         | 236  | 224  | 208  | 179  | 162  | 140  | 140  | 128  | 96.8 | 85.5 | 24         |
| 26         | 230  | 221  | 206  | 175  | 160  | 138  | 138  | 127  | 95.7 | 84.5 | 26         |
| 28         | 224  | 217  | 203  | 172  | 157  | 136  | 136  | 126  | 94.4 | 84.0 | 28         |
| 30         | 218  | 213  | 200  | 168  | 155  | 134  | 134  | 125  | 93.1 | 83.0 | 30         |
| 32         | 212  | 208  | 196  | 164  | 153  | 132  | 132  | 124  | 91.8 | 82.5 | 32         |
| 34         | 205  | 201  | 191  | 160  | 150  | 130  | 130  | 123  | 90.8 | 82.0 | 34         |
| 36         | 198  | 194  | 185  | 157  | 147  | 128  | 128  | 122  | 89.3 | 81.0 | 36         |
| 38         | 190  | 187  | 178  | 154  | 144  | 126  | 126  | 121  | 87.5 | 80.5 | 38         |
| 40         | 179  | 177  | 171  | 151  | 141  | 124  | 124  | 119  | 86.2 | 80.0 | 40         |
| 44         | 161  | 159  | 158  | 144  | 135  | 120  | 120  | 117  | 83.1 | 76.3 | 44         |
| 48         | 146  | 144  | 143  | 137  | 129  | 116  | 116  | 111  | 80.4 | 67.6 | 48         |
| 52         | 133  | 131  | 130  | 129  | 123  | 112  | 111  | 101  | 77.5 | 59.6 | 52         |
| 56         | 122  | 120  | 119  | 119  | 116  | 108  | 101  | 91.1 | 70.0 | 52.0 | 56         |
| 60         | 113  | 111  | 110  | 109  | 107  | 103  | 92.5 | 82.6 | 61.8 | 45.0 | 60         |
| 64         | 104  | 103  | 102  | 101  | 99.1 | 93.5 | 84.1 | 74.4 | 54.8 | 38.8 | 64         |
| 68         | 96.8 | 95.1 | 94.2 | 93.4 | 91.8 | 84.7 | 76   | 67.4 | 48.2 | 32.8 | 68         |
| 72         | 90.1 | 88.6 | 87.6 | 86.8 | 84.4 | 77.4 | 68   | 60.1 | 42.1 | 27.2 | 72         |
| 76         | 84.2 | 82.6 | 81.7 | 80.9 | 76.9 | 70.2 | 61.8 | 53.0 | 36.4 | 22.0 | 76         |
| 80         | 78.9 | 77.3 | 76.3 | 75.6 | 69.6 | 63.1 | 54.8 | 47.2 | 31.0 | 17.1 | 80         |
| 84         |      |      | 71.5 | 69.2 | 61.8 | 56   | 48.2 | 41.8 | 25.2 | 12.6 | 84         |
| 88         |      |      | 66   | 62.4 | 54.5 | 50.2 | 42.5 | 35.7 | 20.5 | 8.3  | 88         |
| 92         |      |      |      | 54.4 | 48.7 | 44.0 | 37.0 | 30.8 | 16.0 |      | 92         |
| 96         |      |      |      |      | 42.2 | 38.2 | 31.8 | 26.2 | 11.8 |      | 96         |
| 100        |      |      |      |      |      | 32.6 | 26.9 | 21.0 | 7.8  |      | 100        |
| 104        |      |      |      |      |      |      | 27.3 | 22.2 | 17.0 |      | 104        |
| 108        |      |      |      |      |      |      |      |      | 12.3 |      | 108        |
| 112        |      |      |      |      |      |      |      |      |      |      | 112        |

**Load Chart of HJDB Configuration****SCC6500A Crawler Crane - Load Chart of HJDB Configuration 2/4**

The boom length ranges 90 ~ 144m, the superlift radius is 17m, the superlift counterweight is 0~310t,  
the rear counterweight is 210t, the center counterweight is 60t

| Radius (m) | 90   | 96   | 102  | 108  | 114  | 120  | 126  | 132   | 138  | 144  | Radius (m) |
|------------|------|------|------|------|------|------|------|-------|------|------|------------|
| 14         | 265  | 235  | 218  |      |      |      |      |       |      |      | 14         |
| 16         | 258  | 234  | 216  | 194  | 171  | 145  |      |       |      |      | 16         |
| 18         | 252  | 233  | 214  | 190  | 169  | 144  | 131  | 112   | 101  |      | 18         |
| 20         | 247  | 230  | 212  | 187  | 166  | 142  | 130  | 111   | 99.5 | 86.5 | 20         |
| 22         | 242  | 227  | 210  | 183  | 164  | 141  | 129  | 110   | 98.6 | 86.0 | 22         |
| 24         | 236  | 224  | 208  | 179  | 162  | 140  | 128  | 110   | 96.8 | 85.5 | 24         |
| 26         | 230  | 221  | 206  | 175  | 160  | 138  | 127  | 109   | 95.7 | 84.5 | 26         |
| 28         | 224  | 217  | 203  | 172  | 157  | 136  | 126  | 108   | 94.4 | 84.0 | 28         |
| 30         | 218  | 213  | 200  | 168  | 155  | 134  | 125  | 107   | 93.1 | 83.0 | 30         |
| 32         | 212  | 208  | 196  | 164  | 153  | 132  | 124  | 106   | 91.8 | 82.5 | 32         |
| 34         | 201  | 199  | 191  | 160  | 150  | 130  | 123  | 105   | 90.8 | 82.0 | 34         |
| 36         | 188  | 187  | 185  | 157  | 147  | 128  | 122  | 104   | 89.3 | 81.0 | 36         |
| 38         | 177  | 176  | 174  | 154  | 144  | 126  | 121  | 103   | 87.5 | 80.5 | 38         |
| 40         | 168  | 166  | 165  | 151  | 141  | 124  | 120  | 102   | 86.2 | 80.0 | 40         |
| 44         | 150  | 149  | 148  | 144  | 135  | 120  | 117  | 100.0 | 83.1 | 73.7 | 44         |
| 48         | 136  | 135  | 133  | 133  | 129  | 116  | 113  | 98    | 80.4 | 65.1 | 48         |
| 52         | 124  | 122  | 121  | 121  | 119  | 112  | 108  | 95.1  | 75.7 | 57.2 | 52         |
| 56         | 114  | 112  | 111  | 110  | 109  | 108  | 99.2 | 89.2  | 67.9 | 49.9 | 56         |
| 60         | 105  | 103  | 102  | 101  | 99.6 | 98.7 | 90.5 | 80.6  | 59.6 | 43.4 | 60         |
| 64         | 96.8 | 95.2 | 94.2 | 93.4 | 91.8 | 90.9 | 82   | 72.5  | 52.8 | 37.2 | 64         |
| 68         | 89.8 | 88.2 | 87.2 | 86.4 | 84.9 | 83.8 | 74.7 | 65.9  | 46.5 | 31.4 | 68         |
| 72         | 83.6 | 82   | 81   | 80.3 | 78.7 | 76.2 | 67.5 | 58.5  | 40.6 | 26.0 | 72         |
| 76         | 78   | 76.4 | 75.5 | 74.7 | 73.1 | 68.9 | 60.3 | 52.6  | 35.1 | 20.9 | 76         |
| 80         | 73   | 71.4 | 70.4 | 69.7 | 68.1 | 63.1 | 54.1 | 47    | 29.8 | 16.2 | 80         |
| 84         |      | 66.8 | 65.9 | 65.1 | 62.3 | 56.2 | 48.2 | 41.1  | 25.0 | 11.8 | 84         |
| 88         |      |      | 61.7 | 61   | 55.6 | 50.4 | 42.5 | 35.6  | 20.4 | 7.6  | 88         |
| 92         |      |      |      | 56.2 | 49.4 | 44.4 | 37.2 | 30.8  | 16.0 |      | 92         |
| 96         |      |      |      |      | 42.9 | 38.6 | 32.1 | 26.3  | 11.8 |      | 96         |
| 100        |      |      |      |      | 37.1 | 33.6 | 27.2 | 22.0  | 7.9  |      | 100        |
| 104        |      |      |      |      |      | 28.9 | 22.6 | 17.1  | 4.2  |      | 104        |
| 108        |      |      |      |      |      |      | 18.1 | 13.3  |      |      | 108        |
| 112        |      |      |      |      |      |      |      | 8.8   |      |      | 112        |

Unit: t

## Load Chart of HJDB Configuration

### SCC6500A Crawler Crane - Load Chart of HJDB Configuration 3/4

The boom length ranges 90 ~ 144m, the superlift radius is 15m, the superlift counterweight is 0~310t, the rear counterweight is 210t, the center counterweight is 60t

| Radius (m) | 90   | 96   | 102  | 108  | 114  | 120  | 126  | 132  | 138  | 144  | Radius (m) |
|------------|------|------|------|------|------|------|------|------|------|------|------------|
| 14         | 265  | 235  | 218  |      |      |      |      |      |      |      | 14         |
| 16         | 258  | 234  | 216  | 194  | 171  | 145  |      |      |      |      | 16         |
| 18         | 252  | 233  | 214  | 190  | 169  | 144  | 131  | 112  | 101  |      | 18         |
| 20         | 247  | 230  | 212  | 187  | 166  | 142  | 130  | 111  | 99.5 | 86.5 | 20         |
| 22         | 242  | 227  | 210  | 183  | 164  | 141  | 129  | 110  | 98.6 | 86.0 | 22         |
| 24         | 236  | 224  | 208  | 179  | 162  | 140  | 128  | 110  | 96.8 | 85.5 | 24         |
| 26         | 230  | 221  | 206  | 175  | 160  | 138  | 127  | 109  | 95.7 | 84.5 | 26         |
| 28         | 224  | 217  | 203  | 172  | 157  | 136  | 126  | 108  | 94.4 | 84.0 | 28         |
| 30         | 214  | 212  | 200  | 168  | 155  | 134  | 125  | 107  | 93.1 | 83.0 | 30         |
| 32         | 200  | 198  | 196  | 164  | 153  | 132  | 124  | 106  | 91.8 | 82.5 | 32         |
| 34         | 187  | 185  | 184  | 160  | 150  | 130  | 123  | 105  | 90.8 | 82.0 | 34         |
| 36         | 175  | 173  | 172  | 157  | 147  | 128  | 122  | 104  | 89.3 | 81.0 | 36         |
| 38         | 165  | 163  | 162  | 154  | 144  | 126  | 121  | 103  | 87.5 | 80.5 | 38         |
| 40         | 156  | 154  | 153  | 151  | 141  | 124  | 120  | 102  | 86.2 | 79.5 | 40         |
| 44         | 140  | 138  | 137  | 136  | 134  | 120  | 117  | 100  | 83.1 | 70.3 | 44         |
| 48         | 126  | 125  | 124  | 123  | 121  | 116  | 113  | 98   | 80.4 | 62.0 | 48         |
| 52         | 115  | 113  | 112  | 111  | 110  | 109  | 106  | 94.8 | 72.6 | 54.5 | 52         |
| 56         | 105  | 104  | 103  | 102  | 100  | 99.3 | 96.4 | 86.1 | 65.1 | 47.4 | 56         |
| 60         | 96.9 | 95.2 | 94.2 | 93.4 | 91.8 | 90.9 | 88.4 | 78.2 | 58.1 | 41.4 | 60         |
| 64         | 89.4 | 87.8 | 86.8 | 86   | 84.4 | 83.6 | 80.2 | 70.7 | 51.2 | 35.4 | 64         |
| 68         | 82.9 | 81.3 | 80.3 | 79.5 | 77.9 | 77.1 | 72.9 | 63.7 | 45.6 | 29.9 | 68         |
| 72         | 77   | 75.5 | 74.5 | 73.7 | 72.1 | 71.3 | 66.1 | 57.6 | 39.8 | 24.7 | 72         |
| 76         | 71.8 | 70.2 | 69.3 | 68.5 | 66.9 | 66.1 | 59.8 | 51.4 | 34.5 | 19.8 | 76         |
| 80         | 67   | 65.5 | 64.6 | 63.8 | 62.3 | 61.4 | 53.7 | 45.4 | 29.4 | 15.9 | 80         |
| 84         |      | 61.2 | 60.3 | 59.5 | 58   | 56.1 | 47.9 | 40.3 | 24.7 | 11.6 | 84         |
| 88         |      |      | 56.4 | 55.7 | 54.1 | 50.5 | 42.4 | 35.4 | 20.2 | 7.5  | 88         |
| 92         |      |      |      | 52.1 | 49.8 | 44.6 | 37.2 | 30.7 | 15.9 | 3.6  | 92         |
| 96         |      |      |      |      | 44.1 | 39.5 | 32.7 | 26.3 | 11.7 |      | 96         |
| 100        |      |      |      |      | 38.3 | 34.5 | 28.3 | 22   | 7.9  |      | 100        |
| 104        |      |      |      |      |      | 29.3 | 23.7 | 17.2 |      |      | 104        |
| 108        |      |      |      |      |      |      | 19.3 | 13.4 |      |      | 108        |
| 112        |      |      |      |      |      |      |      | 9.7  |      |      | 112        |

## Load Chart of HJDB Configuration

### SCC6500A Crawler Crane - Load Chart of HJDB Configuration 4/4

The boom length ranges 90 ~ 144m, the superlift radius is 13m, the superlift counterweight is 0~310t,  
the rear counterweight is 210t, the center counterweight is 60t

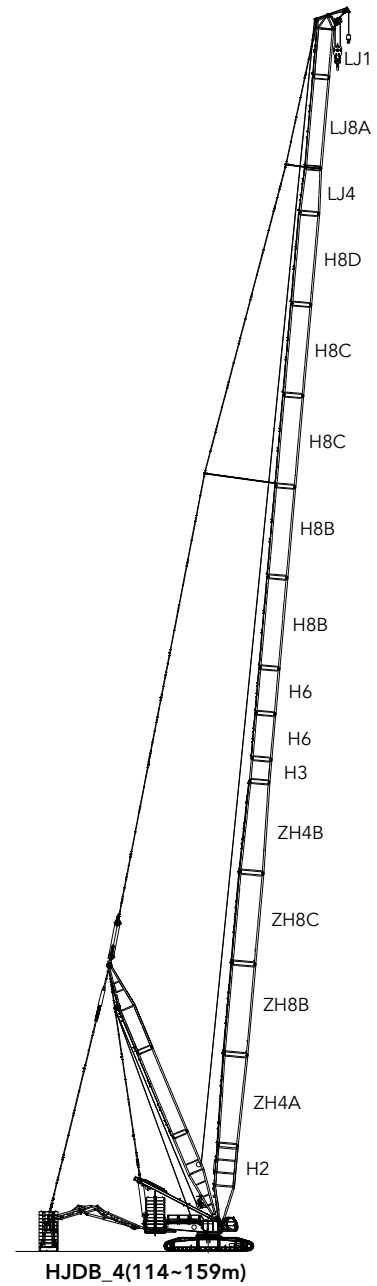
| Radius (m) | 90   | 96   | 102  | 108  | 114  | 120  | 126  | 132  | 138  | 144  | Radius (m) |
|------------|------|------|------|------|------|------|------|------|------|------|------------|
| 14         | 265  | 235  | 218  |      |      |      |      |      |      |      | 14         |
| 16         | 258  | 234  | 216  | 194  | 171  | 145  |      |      |      |      | 16         |
| 18         | 252  | 233  | 214  | 190  | 169  | 144  | 131  | 112  | 101  |      | 18         |
| 20         | 247  | 230  | 212  | 187  | 166  | 142  | 130  | 111  | 99.5 | 86.5 | 20         |
| 22         | 242  | 227  | 210  | 183  | 164  | 141  | 129  | 110  | 98.6 | 86.0 | 22         |
| 24         | 236  | 224  | 208  | 179  | 162  | 140  | 128  | 110  | 96.8 | 85.5 | 24         |
| 26         | 230  | 221  | 206  | 175  | 160  | 138  | 127  | 109  | 95.7 | 84.5 | 26         |
| 28         | 214  | 212  | 203  | 172  | 157  | 136  | 126  | 108  | 94.4 | 84.0 | 28         |
| 30         | 198  | 197  | 195  | 168  | 155  | 134  | 125  | 107  | 93.1 | 83.0 | 30         |
| 32         | 185  | 183  | 182  | 164  | 153  | 132  | 124  | 106  | 91.8 | 82.5 | 32         |
| 34         | 173  | 171  | 170  | 160  | 150  | 130  | 123  | 105  | 90.8 | 82.0 | 34         |
| 36         | 162  | 160  | 159  | 157  | 147  | 128  | 122  | 104  | 89.3 | 81.0 | 36         |
| 38         | 153  | 151  | 150  | 149  | 144  | 126  | 121  | 103  | 87.5 | 79.0 | 38         |
| 40         | 144  | 142  | 141  | 140  | 138  | 124  | 120  | 102  | 86.2 | 74.3 | 40         |
| 44         | 129  | 127  | 126  | 125  | 124  | 120  | 117  | 100  | 83.1 | 65.7 | 44         |
| 48         | 117  | 115  | 114  | 113  | 111  | 110  | 109  | 98   | 76.9 | 57.9 | 48         |
| 52         | 106  | 104  | 103  | 102  | 101  | 99.9 | 98.2 | 90.8 | 69.2 | 50.8 | 52         |
| 56         | 96.9 | 95.3 | 94.2 | 93.4 | 91.8 | 90.9 | 89.2 | 82.6 | 62.1 | 44.5 | 56         |
| 60         | 89   | 87.4 | 86.4 | 85.6 | 84   | 83.1 | 81.5 | 75.1 | 55   | 38.5 | 60         |
| 64         | 82.1 | 80.5 | 79.5 | 78.7 | 77.1 | 76.2 | 74.6 | 68.5 | 48.9 | 32.8 | 64         |
| 68         | 75.9 | 74.4 | 73.4 | 72.6 | 71   | 70.1 | 68.6 | 61.3 | 43.5 | 28.3 | 68         |
| 72         | 70.5 | 68.9 | 67.9 | 67.2 | 65.6 | 64.7 | 63.2 | 55.5 | 38.1 | 23.3 | 72         |
| 76         | 65.6 | 64   | 63.1 | 62.3 | 60.7 | 59.9 | 58.3 | 50   | 32.9 | 18.7 | 76         |
| 80         | 61.1 | 59.6 | 58.7 | 57.9 | 56.4 | 55.5 | 53.1 | 44.8 | 28   | 14.2 | 80         |
| 84         |      | 55.6 | 54.7 | 53.9 | 52.4 | 51.6 | 47.5 | 39.8 | 23.5 | 10.7 | 84         |
| 88         |      |      | 51   | 50.3 | 48.8 | 47.9 | 42.2 | 35   | 19.1 | 6.7  | 88         |
| 92         |      |      |      | 47   | 45.4 | 44.6 | 37   | 30.5 | 15.7 | 3.0  | 92         |
| 96         |      |      |      |      | 42.4 | 39.6 | 32.7 | 26.2 | 11.6 |      | 96         |
| 100        |      |      |      |      | 38.8 | 34.8 | 28.4 | 22   | 7.8  |      | 100        |
| 104        |      |      |      |      |      | 29.6 | 23.9 | 18   | 4.2  |      | 104        |
| 108        |      |      |      |      |      |      | 19.5 | 13.4 |      |      | 108        |
| 112        |      |      |      |      |      |      |      | 9.8  |      |      | 112        |



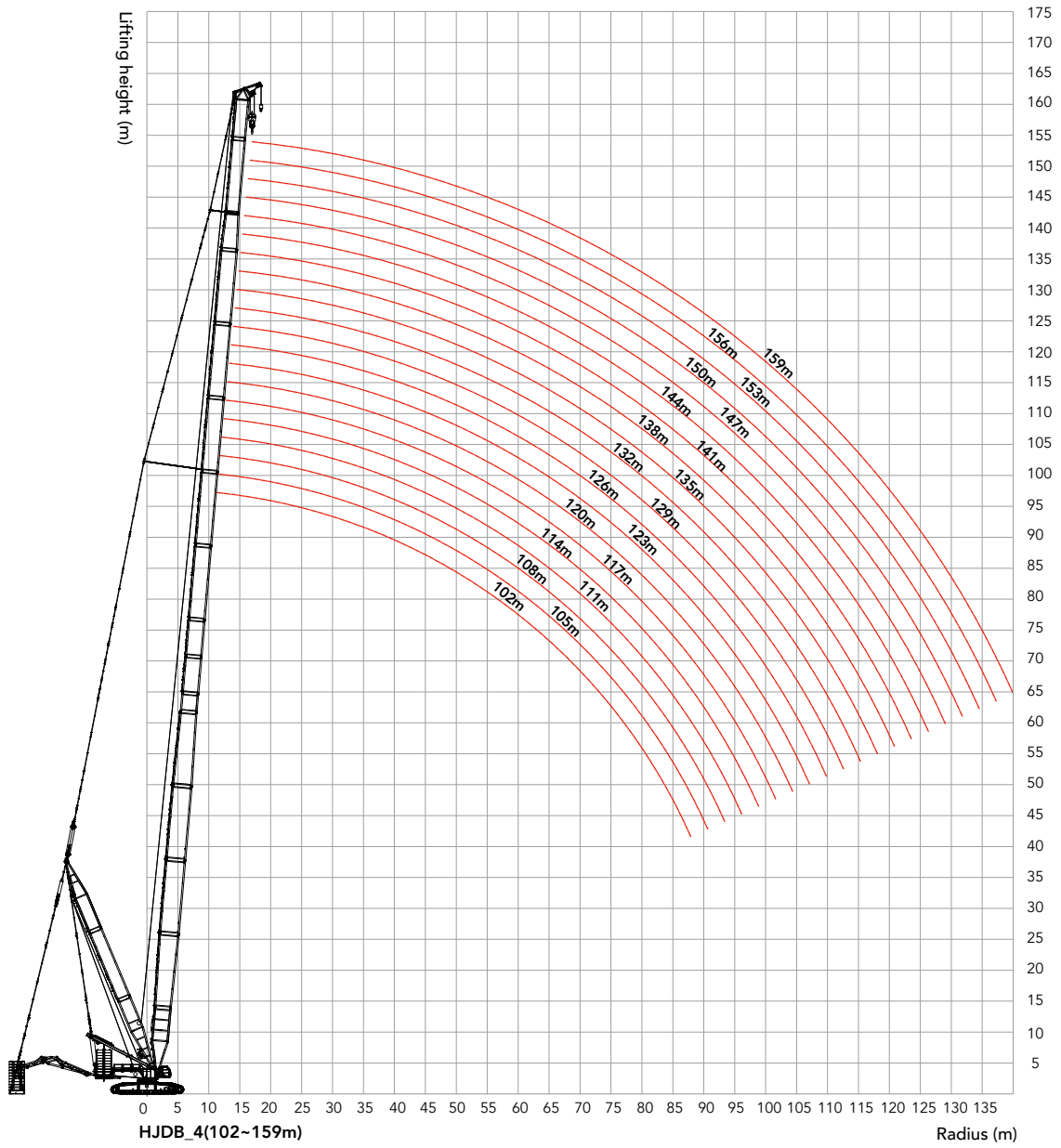
## HJDB\_4 Boom Combination

| HJDB_4 Boom Combination |            |             |    |     |
|-------------------------|------------|-------------|----|-----|
| Boom length (m)         | Power boom | Boom insert |    |     |
|                         | 12m        | 3m          | 6m | 12m |
| 102                     | 3          | -           | 1  | 2   |
| 105                     | 3          | 1           | 1  | 2   |
| 108                     | 3          | -           | 2  | 2   |
| 111                     | 3          | 1           | 2  | 2   |
| 114                     | 4          | -           | 1  | 2   |
| 117                     | 4          | 1           | 1  | 2   |
| 120                     | 4          | -           | 2  | 2   |
| 123                     | 4          | 1           | 2  | 2   |
| 126                     | 4          | -           | 1  | 3   |
| 129                     | 4          | 1           | 1  | 3   |
| 132                     | 4          | -           | 2  | 3   |
| 135                     | 4          | 1           | 2  | 3   |
| 138                     | 4          | -           | 1  | 4   |
| 141                     | 4          | 1           | 1  | 4   |
| 144                     | 4          | -           | 2  | 4   |
| 147                     | 4          | 1           | 2  | 4   |
| 150                     | 4          | -           | 1  | 5   |
| 153                     | 4          | 1           | 1  | 5   |
| 156                     | 4          | -           | 2  | 5   |
| 159                     | 4          | 1           | 2  | 5   |

Note: the boom base, 6m tapered insert, 12m jib insert and jib top are must. The mid-point suspension cable must be used for all boom length (102m-159m), otherwise, there is danger of boom breaking.



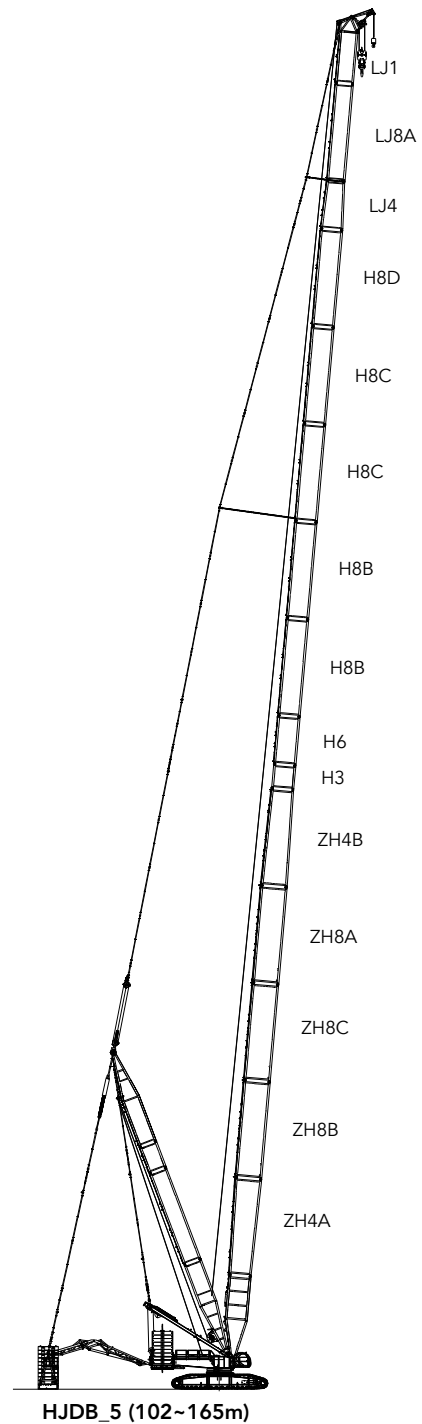
### HJDB\_4 Work Radius



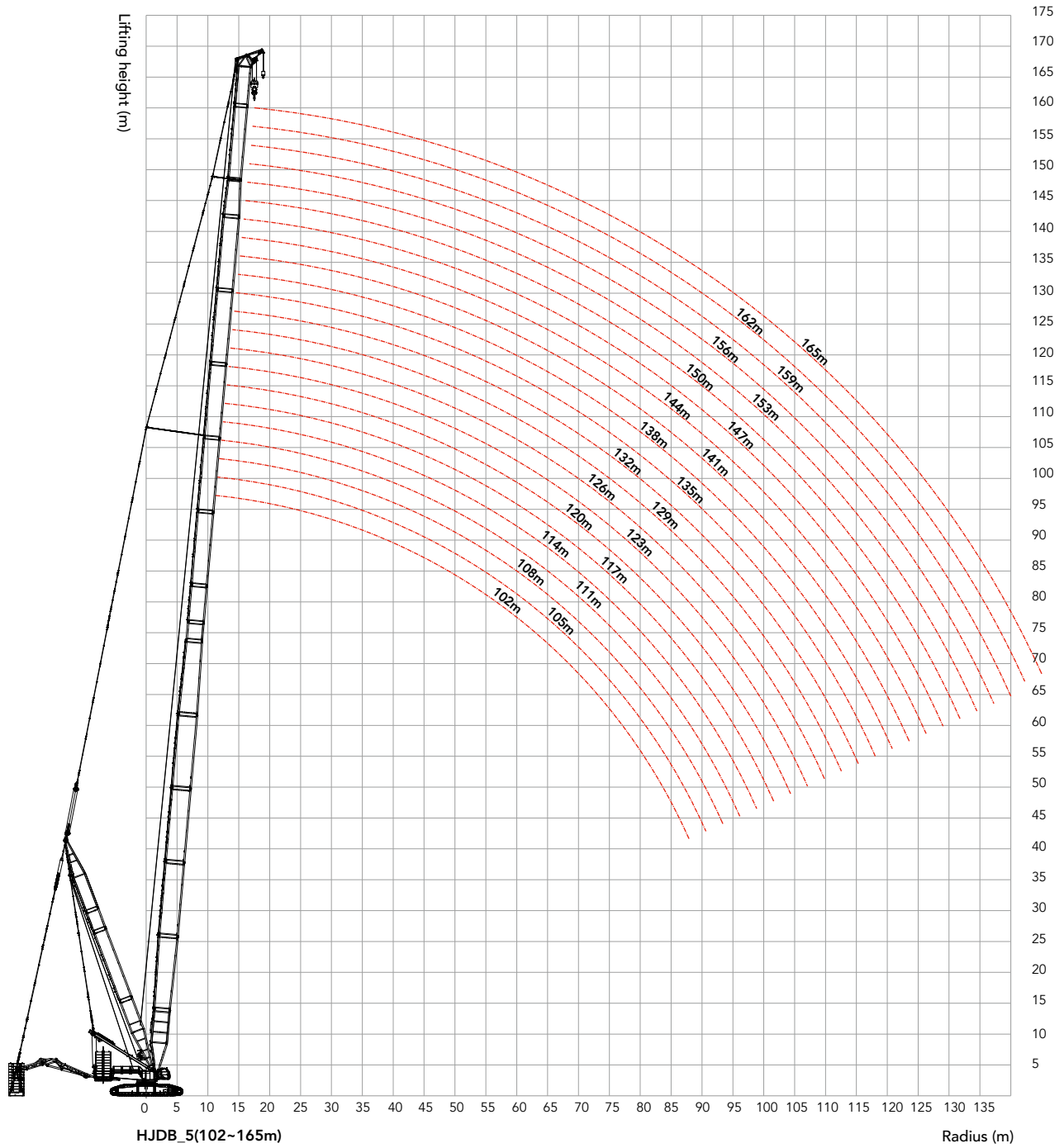
## HJDB\_5 Boom Combination

| HJDB_5 Boom Combination |            |             |    |     |
|-------------------------|------------|-------------|----|-----|
| Boom length (m)         | Power boom | Boom insert |    |     |
|                         | 12m        | 3m          | 6m | 12m |
| 102                     | 4          | -           | 1  | 1   |
| 105                     | 4          | 1           | 1  | 1   |
| 108                     | 4          | -           | -  | 2   |
| 111                     | 4          | 1           | -  | 2   |
| 114                     | 5          | -           | 1  | 1   |
| 117                     | 5          | 1           | 1  | 1   |
| 120                     | 5          | -           | 2  | 1   |
| 123                     | 5          | 1           | 2  | 1   |
| 126                     | 5          | -           | 1  | 2   |
| 129                     | 5          | 1           | 1  | 2   |
| 132                     | 5          | -           | 2  | 2   |
| 135                     | 5          | 1           | 2  | 2   |
| 138                     | 5          | -           | 1  | 3   |
| 141                     | 5          | 1           | 1  | 3   |
| 144                     | 5          | -           | 2  | 3   |
| 147                     | 5          | 1           | 2  | 3   |
| 150                     | 5          | -           | 1  | 4   |
| 153                     | 5          | 1           | 1  | 4   |
| 156                     | 5          | -           | 2  | 4   |
| 159                     | 5          | 1           | 2  | 4   |
| 162                     | 5          | -           | 1  | 5   |
| 165                     | 5          | 1           | 1  | 5   |

Notes: The boom base, 6m tapered insert, 12m jib insert and jib top are must. The mid-point suspension cable must be used for boom length from 102m ~165m ; otherwise, there is danger of boom breaking.



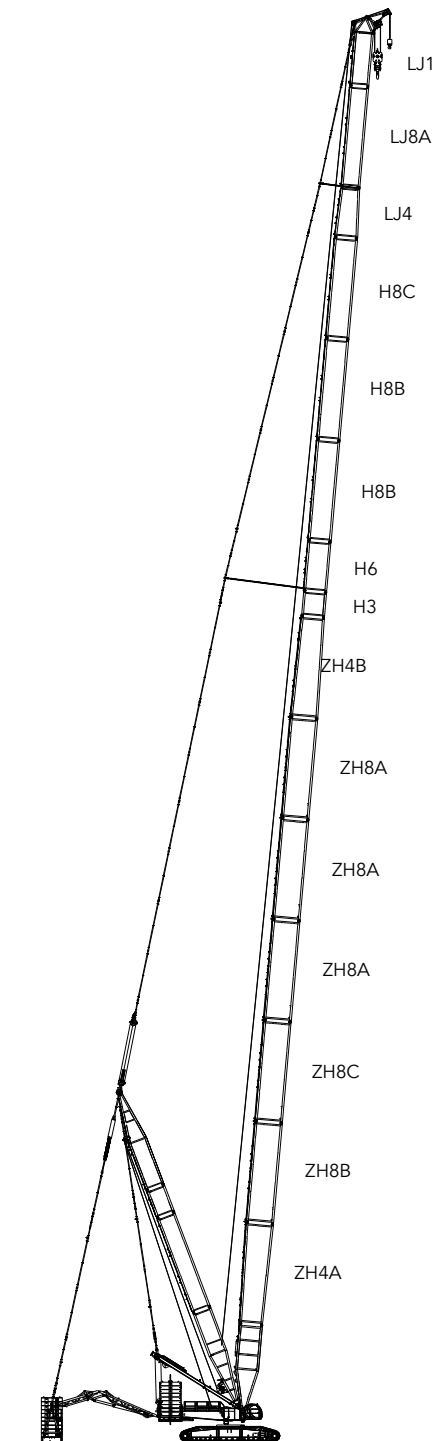
### HJDB\_5 Work Radius



## HJDB\_7 Boom Combination

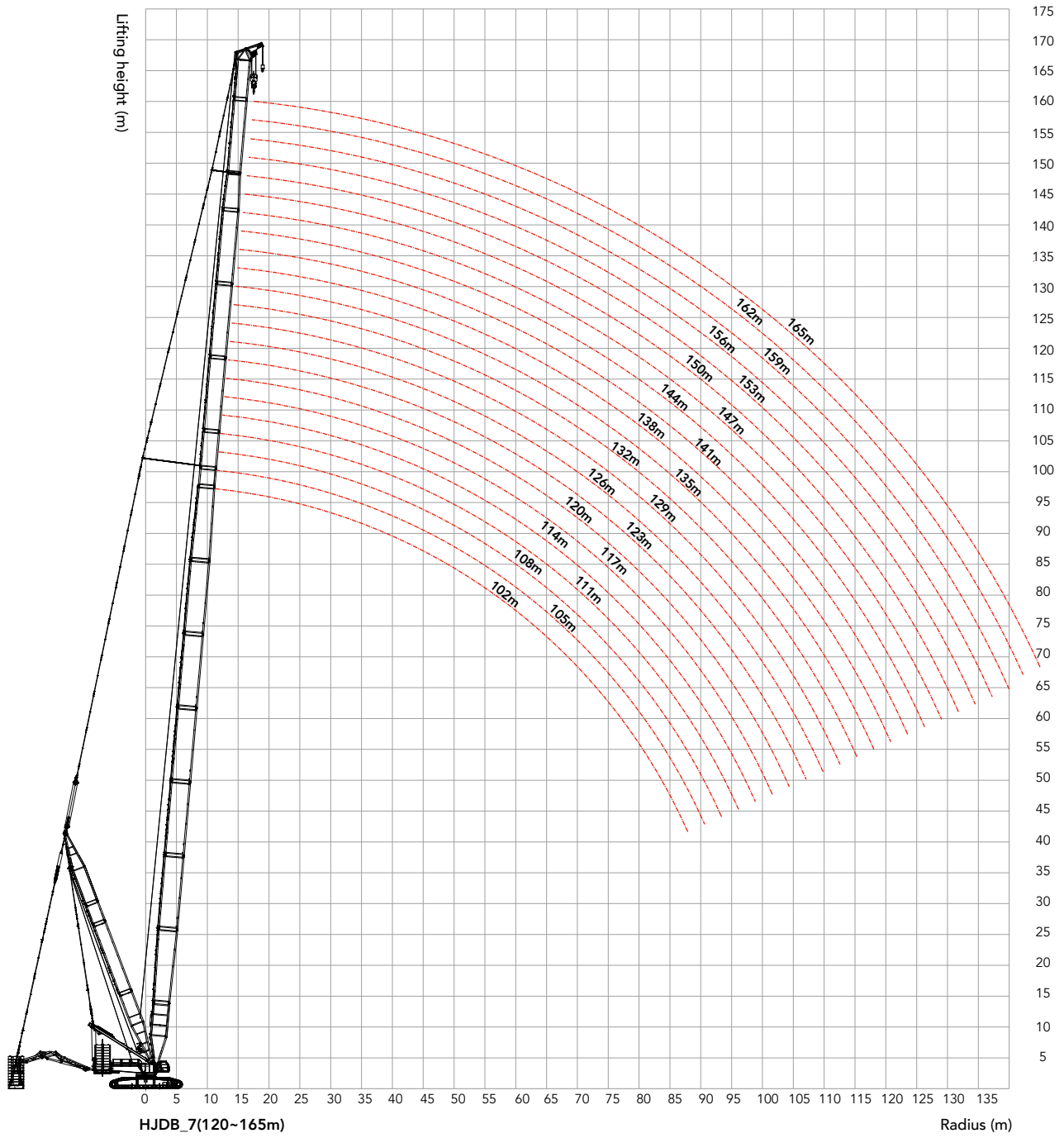
| HJDB_7 Boom Combination |            |             |    |     |
|-------------------------|------------|-------------|----|-----|
| Boom length (m)         | Power boom | Boom insert |    |     |
|                         | 12m        | 3m          | 6m | 12m |
| 114                     | 6          | -           | 1  | -   |
| 117                     | 6          | 1           | 1  | -   |
| 120                     | 6          | -           | 2  | -   |
| 123                     | 6          | 1           | 2  | -   |
| 126                     | 7          | -           | 1  | -   |
| 129                     | 7          | 1           | 1  | -   |
| 132                     | 7          | -           | 2  | -   |
| 135                     | 7          | 1           | 2  | -   |
| 138                     | 7          | -           | 1  | 1   |
| 141                     | 7          | 1           | 1  | 1   |
| 144                     | 7          | -           | -  | 2   |
| 147                     | 7          | 1           | -  | 2   |
| 150                     | 7          | -           | 1  | 2   |
| 153                     | 7          | 1           | 1  | 2   |
| 156                     | 7          | -           | 2  | 2   |
| 159                     | 7          | 1           | 2  | 2   |
| 162                     | 7          | -           | 1  | 3   |
| 165                     | 7          | 1           | 1  | 3   |

Notes: The boom base, 6m tapered insert, 12m jib insert and jib top are must. The mid-point suspension cable must be used for boom length from 114m ~165m ; otherwise, there is danger of boom breaking.



HJDB\_7(120~165m)

### HJDB\_7 Work Radius



Unit: t

## Load Chart of HJDB Configuration

| SCC6500A Crawler Crane - Load Chart of HJDB Configuration 1/11                                                         |           |        |           |        |            |
|------------------------------------------------------------------------------------------------------------------------|-----------|--------|-----------|--------|------------|
| Superlift radius 19m, the center counterweight is 60t, the rear counterweight 210t, the superlift counterweight 0-310t |           |        |           |        |            |
| Radius (m)                                                                                                             | Boom 102m |        | Boom 105m |        | Radius (m) |
|                                                                                                                        | HJDB_4    | HJDB_5 | HJDB_4    | HJDB_5 |            |
| 12                                                                                                                     | 268       | 275    |           |        | 12         |
| 13                                                                                                                     | 268       | 274    | 256       | 262    | 13         |
| 14                                                                                                                     | 268       | 273    | 256       | 262    | 14         |
| 15                                                                                                                     | 268       | 272    | 256       | 261    | 15         |
| 16                                                                                                                     | 268       | 271    | 256       | 261    | 16         |
| 17                                                                                                                     | 267       | 270    | 255       | 260    | 17         |
| 18                                                                                                                     | 266       | 269    | 254       | 259    | 18         |
| 19                                                                                                                     | 265       | 268    | 253       | 258    | 19         |
| 20                                                                                                                     | 264       | 267    | 252       | 257    | 20         |
| 22                                                                                                                     | 263       | 265    | 251       | 255    | 22         |
| 24                                                                                                                     | 259       | 261    | 247       | 253    | 24         |
| 26                                                                                                                     | 256       | 258    | 243       | 250    | 26         |
| 28                                                                                                                     | 252       | 253    | 240       | 246    | 28         |
| 30                                                                                                                     | 244       | 246    | 232       | 239    | 30         |
| 32                                                                                                                     | 235       | 238    | 223       | 231    | 32         |
| 34                                                                                                                     | 226       | 230    | 215       | 223    | 34         |
| 36                                                                                                                     | 216       | 216    | 207       | 214    | 36         |
| 38                                                                                                                     | 203       | 203    | 199       | 202    | 38         |
| 40                                                                                                                     | 192       | 191    | 191       | 190    | 40         |
| 44                                                                                                                     | 171       | 171    | 170       | 170    | 44         |
| 48                                                                                                                     | 155       | 154    | 154       | 153    | 48         |
| 52                                                                                                                     | 140       | 140    | 139       | 139    | 52         |
| 56                                                                                                                     | 128       | 128    | 127       | 126    | 56         |
| 60                                                                                                                     | 117       | 117    | 116       | 116    | 60         |
| 64                                                                                                                     | 108       | 108    | 107       | 106    | 64         |
| 68                                                                                                                     | 99.5      | 99.4   | 98.4      | 98.2   | 68         |
| 72                                                                                                                     | 91.8      | 92     | 90.7      | 90.8   | 72         |
| 76                                                                                                                     | 84.9      | 85.4   | 83.7      | 84.2   | 76         |
| 80                                                                                                                     | 78.6      | 79.4   | 77.5      | 78.2   | 80         |
| 84                                                                                                                     | 73        | 74     | 71.9      | 72.8   | 84         |
| 88                                                                                                                     | 67.9      | 69     | 66.8      | 67.9   | 88         |
| 92                                                                                                                     |           |        | 60.5      | 61.2   | 92         |

## Load Chart of HJDB Configuration

### SCC6500A Crawler Crane - Load Chart of HJDB Configuration 2/11

Superlift radius 19m, the center counterweight is 60t, the rear counterweight 210t, the superlift counterweight 0-310t

| Radius (m) | Boom 108m |        | Boom 111m |        | Radius (m) |
|------------|-----------|--------|-----------|--------|------------|
|            | HJDB_4    | HJDB_5 | HJDB_4    | HJDB_5 |            |
| 13         | 243       | 252    | 232       | 241    | 13         |
| 14         | 243       | 252    | 232       | 241    | 14         |
| 15         | 243       | 251    | 232       | 240    | 15         |
| 16         | 243       | 250    | 232       | 240    | 16         |
| 17         | 243       | 249    | 232       | 240    | 17         |
| 18         | 243       | 248    | 232       | 239    | 18         |
| 19         | 243       | 247    | 232       | 238    | 19         |
| 20         | 243       | 246    | 232       | 237    | 20         |
| 22         | 243       | 245    | 232       | 236    | 22         |
| 24         | 242       | 244    | 230       | 234    | 24         |
| 26         | 240       | 240    | 228       | 229    | 26         |
| 28         | 238       | 237    | 228       | 225    | 28         |
| 30         | 236       | 231    | 226       | 220    | 30         |
| 32         | 228       | 222    | 219       | 211    | 32         |
| 34         | 221       | 214    | 214       | 204    | 34         |
| 36         | 214       | 206    | 207       | 195    | 36         |
| 38         | 201       | 198    | 200       | 188    | 38         |
| 40         | 190       | 190    | 188       | 180    | 40         |
| 44         | 169       | 170    | 168       | 166    | 44         |
| 48         | 153       | 153    | 151       | 151    | 48         |
| 52         | 138       | 138    | 137       | 137    | 52         |
| 56         | 126       | 126    | 125       | 125    | 56         |
| 60         | 115       | 115    | 114       | 114    | 60         |
| 64         | 106       | 106    | 104       | 105    | 64         |
| 68         | 97.4      | 97.8   | 96.2      | 96.6   | 68         |
| 72         | 89.7      | 90.4   | 88.4      | 89.3   | 72         |
| 76         | 82.7      | 83.8   | 81.5      | 82.6   | 76         |
| 80         | 76.5      | 77.9   | 75.3      | 74.6   | 80         |
| 84         | 70.9      | 72.5   | 69.7      | 67.4   | 84         |
| 88         | 65.8      | 66.5   | 64.5      | 60.5   | 88         |
| 92         | 61.1      | 58.7   | 59.9      | 53.9   | 92         |
| 96         |           |        | 55.6      | 47.8   | 96         |



Unit: t

## Load Chart of HJDB Configuration

| SCC6500A Crawler Crane - Load Chart of HJDB Configuration 3/11                                                         |           |        |           |        |            |
|------------------------------------------------------------------------------------------------------------------------|-----------|--------|-----------|--------|------------|
| Superlift radius 19m, the center counterweight is 60t, the rear counterweight 210t, the superlift counterweight 0-310t |           |        |           |        |            |
| Radius (m)                                                                                                             | Boom 114m |        | Boom 117m |        | Radius (m) |
|                                                                                                                        | HJDB_4    | HJDB_5 | HJDB_4    | HJDB_5 |            |
| 13                                                                                                                     | 220       | 231    |           |        | 13         |
| 14                                                                                                                     | 220       | 231    | 210       | 220    | 14         |
| 15                                                                                                                     | 220       | 230    | 210       | 220    | 15         |
| 16                                                                                                                     | 220       | 230    | 210       | 219    | 16         |
| 17                                                                                                                     | 220       | 229    | 210       | 219    | 17         |
| 18                                                                                                                     | 220       | 228    | 210       | 219    | 18         |
| 19                                                                                                                     | 220       | 228    | 210       | 215    | 19         |
| 20                                                                                                                     | 220       | 225    | 210       | 215    | 20         |
| 22                                                                                                                     | 218       | 223    | 209       | 213    | 22         |
| 24                                                                                                                     | 218       | 220    | 208       | 211    | 24         |
| 26                                                                                                                     | 218       | 219    | 206       | 208    | 26         |
| 28                                                                                                                     | 215       | 213    | 205       | 202    | 28         |
| 30                                                                                                                     | 212       | 208    | 204       | 197    | 30         |
| 32                                                                                                                     | 207       | 201    | 200       | 190    | 32         |
| 34                                                                                                                     | 200       | 194    | 196       | 183    | 34         |
| 36                                                                                                                     | 194       | 187    | 192       | 176    | 36         |
| 38                                                                                                                     | 188       | 179    | 187       | 169    | 38         |
| 40                                                                                                                     | 183       | 171    | 180       | 162    | 40         |
| 44                                                                                                                     | 167       | 157    | 166       | 149    | 44         |
| 48                                                                                                                     | 151       | 145    | 149       | 136    | 48         |
| 52                                                                                                                     | 136       | 133    | 135       | 125    | 52         |
| 56                                                                                                                     | 124       | 122    | 123       | 113    | 56         |
| 60                                                                                                                     | 113       | 111    | 112       | 103    | 60         |
| 64                                                                                                                     | 104       | 94.5   | 102       | 94.2   | 64         |
| 68                                                                                                                     | 95.5      | 93.6   | 94.2      | 86.2   | 68         |
| 72                                                                                                                     | 87.7      | 86.2   | 86.4      | 79.3   | 72         |
| 76                                                                                                                     | 80.8      | 81.7   | 79.5      | 71.3   | 76         |
| 80                                                                                                                     | 74.6      | 75.7   | 73.3      | 63.4   | 80         |
| 84                                                                                                                     | 68.9      | 70.3   | 67.7      | 57.3   | 84         |
| 88                                                                                                                     | 63.8      | 63.5   | 62.6      | 51.6   | 88         |
| 92                                                                                                                     | 59.2      | 56.9   | 57.9      | 46.5   | 92         |
| 96                                                                                                                     | 54.9      | 51.3   | 53.6      | 39.8   | 96         |
| 100                                                                                                                    | 51        | 38.9   | 49.7      | 33.3   | 100        |

## Load Chart of HJDB Configuration

### SCC6500A Crawler Crane - Load Chart of HJDB Configuration 4/11

Superlift radius 19m, the center counterweight is 60t, the rear counterweight 210t, the superlift counterweight 0-310t

| Radius (m) | Boom 120m |        |        | Boom 123m |        |        | Radius (m) |
|------------|-----------|--------|--------|-----------|--------|--------|------------|
|            | HJDB_4    | HJDB_5 | HJDB_7 | HJDB_4    | HJDB_5 | HJDB_7 |            |
| 14         | 200       | 207    | 215    | 191       | 198    | 205    | 14         |
| 15         | 200       | 207    | 215    | 191       | 198    | 205    | 15         |
| 16         | 200       | 207    | 215    | 191       | 198    | 205    | 16         |
| 17         | 200       | 207    | 215    | 191       | 198    | 205    | 17         |
| 18         | 200       | 207    | 215    | 191       | 198    | 205    | 18         |
| 19         | 200       | 207    | 214    | 191       | 198    | 205    | 19         |
| 20         | 200       | 207    | 213    | 191       | 198    | 205    | 20         |
| 22         | 199       | 206    | 212    | 189       | 197    | 204    | 22         |
| 24         | 199       | 205    | 211    | 189       | 196    | 203    | 24         |
| 26         | 199       | 204    | 211    | 188       | 196    | 202    | 26         |
| 28         | 198       | 203    | 208    | 187       | 194    | 199    | 28         |
| 30         | 197       | 202    | 205    | 186       | 192    | 197    | 30         |
| 32         | 196       | 201    | 199    | 184       | 189    | 191    | 32         |
| 34         | 195       | 197    | 194    | 182       | 186    | 187    | 34         |
| 36         | 192       | 192    | 185    | 177       | 183    | 180    | 36         |
| 38         | 189       | 186    | 180    | 174       | 179    | 175    | 38         |
| 40         | 180       | 183    | 166    | 170       | 176    | 167    | 40         |
| 44         | 165       | 165    | 159    | 163       | 164    | 152    | 44         |
| 48         | 149       | 148    | 145    | 147       | 147    | 139    | 48         |
| 52         | 134       | 134    | 132    | 133       | 133    | 127    | 52         |
| 56         | 122       | 122    | 120    | 121       | 121    | 114    | 56         |
| 60         | 111       | 111    | 113    | 110       | 110    | 102    | 60         |
| 64         | 102       | 102    | 103    | 100       | 101    | 92.5   | 64         |
| 68         | 93.3      | 93.6   | 94.8   | 92        | 92.4   | 83.9   | 68         |
| 72         | 85.5      | 86.3   | 78.5   | 84.3      | 85.1   | 73.8   | 72         |
| 76         | 78.6      | 79.7   | 71.6   | 77.3      | 78.5   | 66.6   | 76         |
| 80         | 72.4      | 73.8   | 64.2   | 71.1      | 72.6   | 59.2   | 80         |
| 84         | 66.8      | 68.4   | 57.8   | 65.5      | 67.2   | 53.7   | 84         |
| 88         | 61.7      | 63.5   | 53.2   | 60.4      | 62.3   | 47.6   | 88         |
| 92         | 57        | 58.9   | 48.9   | 55.7      | 57.6   | 44.2   | 92         |
| 96         | 52.8      | 54.7   | 45.5   | 51.5      | 53.3   | 41.3   | 96         |
| 100        | 48.8      | 50.8   | 44.2   | 47.6      | 49.4   | 38.5   | 100        |
| 104        | 45.2      | 47.1   | 42.6   | 43.9      | 45.8   | 36.9   | 104        |
| 108        |           |        |        | 40.6      | 42.5   | 35.1   | 108        |

Unit: t

## Load Chart of HJDB Configuration

| SCC6500A Crawler Crane - Load Chart of HJDB Configuration 5/11                                                         |           |        |        |           |        |        |            |
|------------------------------------------------------------------------------------------------------------------------|-----------|--------|--------|-----------|--------|--------|------------|
| Superlift radius 19m, the center counterweight is 60t, the rear counterweight 210t, the superlift counterweight 0-310t |           |        |        |           |        |        |            |
| Radius (m)                                                                                                             | Boom 126m |        |        | Boom 129m |        |        | Radius (m) |
|                                                                                                                        | HJDB_4    | HJDB_5 | HJDB_7 | HJDB_4    | HJDB_5 | HJDB_7 |            |
| 14                                                                                                                     | 180       | 188    | 196    |           |        |        | 14         |
| 15                                                                                                                     | 180       | 188    | 196    | 172       | 179    | 187    | 15         |
| 16                                                                                                                     | 180       | 188    | 196    | 172       | 179    | 187    | 16         |
| 17                                                                                                                     | 179       | 188    | 196    | 171       | 179    | 187    | 17         |
| 18                                                                                                                     | 179       | 188    | 196    | 171       | 179    | 187    | 18         |
| 19                                                                                                                     | 179       | 188    | 196    | 171       | 179    | 187    | 19         |
| 20                                                                                                                     | 179       | 188    | 196    | 171       | 179    | 187    | 20         |
| 22                                                                                                                     | 178       | 188    | 195    | 170       | 179    | 186    | 22         |
| 24                                                                                                                     | 177       | 187    | 194    | 169       | 178    | 185    | 24         |
| 26                                                                                                                     | 176       | 186    | 193    | 168       | 177    | 184    | 26         |
| 28                                                                                                                     | 175       | 186    | 191    | 167       | 176    | 183    | 28         |
| 30                                                                                                                     | 174       | 183    | 190    | 166       | 175    | 182    | 30         |
| 32                                                                                                                     | 171       | 181    | 185    | 164       | 173    | 178    | 32         |
| 34                                                                                                                     | 170       | 178    | 182    | 162       | 171    | 176    | 34         |
| 36                                                                                                                     | 168       | 175    | 177    | 160       | 167    | 173    | 36         |
| 38                                                                                                                     | 166       | 171    | 174    | 158       | 165    | 172    | 38         |
| 40                                                                                                                     | 163       | 168    | 169    | 156       | 161    | 167    | 40         |
| 44                                                                                                                     | 155       | 160    | 158    | 150       | 154    | 158    | 44         |
| 48                                                                                                                     | 147       | 147    | 147    | 144       | 145    | 147    | 48         |
| 52                                                                                                                     | 133       | 132    | 134    | 132       | 131    | 132    | 52         |
| 56                                                                                                                     | 121       | 120    | 122    | 120       | 119    | 120    | 56         |
| 60                                                                                                                     | 111       | 110    | 111    | 109       | 108    | 110    | 60         |
| 64                                                                                                                     | 101       | 100    | 101    | 99.8      | 99.1   | 100    | 64         |
| 68                                                                                                                     | 92.3      | 92.1   | 92.8   | 91        | 90.9   | 91.4   | 68         |
| 72                                                                                                                     | 84.5      | 84.7   | 85     | 83.3      | 83.6   | 83.6   | 72         |
| 76                                                                                                                     | 77.6      | 78.2   | 77.2   | 76.3      | 77     | 76.7   | 76         |
| 80                                                                                                                     | 71.4      | 72.2   | 69.3   | 67.8      | 71.1   | 70.5   | 80         |
| 84                                                                                                                     | 65.8      | 66.9   | 62.6   | 60.1      | 65.6   | 63.3   | 84         |
| 88                                                                                                                     | 60.7      | 61.9   | 55.4   | 55.6      | 60.5   | 56.6   | 88         |
| 92                                                                                                                     | 56        | 57.2   | 50.5   | 49.6      | 55.8   | 51.7   | 92         |
| 96                                                                                                                     | 51.8      | 53     | 46.3   | 46.7      | 50.6   | 45.9   | 96         |
| 100                                                                                                                    | 47.9      | 49     | 42.6   | 42.5      | 46.4   | 42.2   | 100        |
| 104                                                                                                                    | 44.2      | 45.4   | 41.2   | 38.4      | 43.3   | 38.5   | 104        |
| 108                                                                                                                    | 40.9      | 42.1   | 39.9   | 34.3      | 39.1   | 38.1   | 108        |
| 112                                                                                                                    |           |        |        | 30.2      | 36.3   | 36.9   | 112        |

## Load Chart of HJDB Configuration

### SCC6500A Crawler Crane - Load Chart of HJDB Configuration 6/11

Superlift radius 19m, the center counterweight is 60t, the rear counterweight 210t, the superlift counterweight 0-310t

| Radius (m) | Boom 132m |        |        | Boom 135m |        |        | Radius (m) |
|------------|-----------|--------|--------|-----------|--------|--------|------------|
|            | HJDB_4    | HJDB_5 | HJDB_7 | HJDB_4    | HJDB_5 | HJDB_7 |            |
| 15         | 157       | 164    | 180    | 149       | 156    | 171    | 15         |
| 16         | 157       | 164    | 180    | 149       | 156    | 171    | 16         |
| 17         | 157       | 164    | 179    | 149       | 156    | 171    | 17         |
| 18         | 157       | 164    | 178    | 149       | 156    | 171    | 18         |
| 19         | 157       | 164    | 177    | 149       | 156    | 171    | 19         |
| 20         | 157       | 164    | 176    | 149       | 156    | 171    | 20         |
| 22         | 157       | 163    | 176    | 149       | 155    | 170    | 22         |
| 24         | 156       | 163    | 176    | 148       | 155    | 169    | 24         |
| 26         | 155       | 162    | 175    | 147       | 154    | 168    | 26         |
| 28         | 154       | 162    | 175    | 146       | 153    | 167    | 28         |
| 30         | 153       | 161    | 174    | 145       | 152    | 166    | 30         |
| 32         | 152       | 160    | 173    | 144       | 151    | 165    | 32         |
| 34         | 150       | 156    | 172    | 144       | 150    | 164    | 34         |
| 36         | 147       | 153    | 169    | 142       | 147    | 162    | 36         |
| 38         | 145       | 149    | 166    | 140       | 144    | 159    | 38         |
| 40         | 142       | 146    | 161    | 137       | 142    | 155    | 40         |
| 44         | 138       | 141    | 151    | 132       | 137    | 145    | 44         |
| 48         | 133       | 136    | 141    | 128       | 132    | 135    | 48         |
| 52         | 128       | 130    | 131    | 124       | 127    | 125    | 52         |
| 56         | 119       | 118    | 119    | 118       | 117    | 115    | 56         |
| 60         | 108       | 108    | 109    | 107       | 106    | 106    | 60         |
| 64         | 98.9      | 98.3   | 99.3   | 97.6      | 97.1   | 96.5   | 64         |
| 68         | 90.1      | 90.1   | 90.6   | 88.9      | 88.9   | 86.6   | 68         |
| 72         | 82.4      | 82.8   | 82.2   | 81.1      | 81.6   | 77.4   | 72         |
| 76         | 75.5      | 76.2   | 73.6   | 74.2      | 75     | 69.5   | 76         |
| 80         | 69.2      | 70.3   | 65.2   | 68        | 69.1   | 61.3   | 80         |
| 84         | 63.6      | 64.8   | 57.8   | 62.3      | 63.4   | 54.2   | 84         |
| 88         | 58.5      | 59.7   | 51.9   | 57.2      | 58.3   | 47.6   | 88         |
| 92         | 53.9      | 55     | 45.6   | 52.6      | 53.7   | 42.6   | 92         |
| 96         | 49.6      | 50.8   | 42.3   | 48.3      | 49.4   | 37.7   | 96         |
| 100        | 45.7      | 46.8   | 37.4   | 44.4      | 45.5   | 33.3   | 100        |
| 104        | 42.1      | 43.2   | 34.1   | 40.8      | 41.9   | 29.5   | 104        |
| 108        | 38.7      | 39.9   | 31.6   | 37.5      | 38.6   | 26.7   | 108        |
| 112        | 35.6      | 36.8   | 29.5   | 34.4      | 35.5   | 24.6   | 112        |
| 116        | 32.7      | 33.9   | 28.7   | 31.5      | 32.6   | 23.8   | 116        |

Unit: t

## Load Chart of HJDB Configuration

### SCC6500A Crawler Crane - Load Chart of HJDB Configuration 7/11

Superlift radius 19m, the center counterweight is 60t, the rear counterweight 210t, the superlift counterweight 0-310t

| Radius (m) | Boom 138m |        |        | Boom 141m |        |        | Radius (m) |
|------------|-----------|--------|--------|-----------|--------|--------|------------|
|            | HJDB_4    | HJDB_5 | HJDB_7 | HJDB_4    | HJDB_5 | HJDB_7 |            |
| 16         | 141       | 147    | 162    | 132       | 140    | 154    | 16         |
| 17         | 141       | 147    | 162    | 131       | 140    | 154    | 17         |
| 18         | 141       | 147    | 162    | 131       | 140    | 154    | 18         |
| 19         | 140       | 147    | 162    | 131       | 140    | 154    | 19         |
| 20         | 139       | 147    | 162    | 131       | 140    | 154    | 20         |
| 22         | 138       | 147    | 162    | 131       | 140    | 154    | 22         |
| 24         | 137       | 146    | 162    | 130       | 139    | 153    | 24         |
| 26         | 136       | 146    | 161    | 129       | 139    | 153    | 26         |
| 28         | 135       | 145    | 160    | 128       | 139    | 153    | 28         |
| 30         | 134       | 144    | 160    | 127       | 138    | 152    | 30         |
| 32         | 133       | 143    | 157    | 126       | 137    | 150    | 32         |
| 34         | 132       | 142    | 154    | 125       | 136    | 148    | 34         |
| 36         | 131       | 140    | 150    | 124       | 134    | 144    | 36         |
| 38         | 130       | 138    | 147    | 123       | 132    | 141    | 38         |
| 40         | 126       | 135    | 142    | 122       | 129    | 137    | 40         |
| 44         | 122       | 131    | 133    | 120       | 124    | 129    | 44         |
| 48         | 117       | 126    | 123    | 117       | 121    | 119    | 48         |
| 52         | 112       | 122    | 113    | 115       | 117    | 109    | 52         |
| 56         | 107       | 117    | 103    | 111       | 113    | 100    | 56         |
| 60         | 103       | 107    | 93.3   | 106       | 105    | 90.5   | 60         |
| 64         | 97.8      | 97.4   | 84.2   | 96.5      | 96.2   | 81.8   | 64         |
| 68         | 89        | 89.2   | 75.5   | 87.8      | 88     | 72.2   | 68         |
| 72         | 81.3      | 81.9   | 66.6   | 80        | 80.7   | 64.5   | 72         |
| 76         | 74.3      | 75.3   | 58.7   | 73.1      | 74.1   | 56.6   | 76         |
| 80         | 68.1      | 69.4   | 54.4   | 66.9      | 68.1   | 49.8   | 80         |
| 84         | 62.5      | 63.8   | 52.6   | 61.2      | 62.5   | 42.6   | 84         |
| 88         | 57.4      | 58.7   | 45.2   | 56.1      | 57.4   | 37.5   | 88         |
| 92         | 52.8      | 54     | 39.8   | 51.5      | 52.7   | 32.3   | 92         |
| 96         | 48.5      | 49.8   | 34.4   | 47.2      | 47.5   | 27.7   | 96         |
| 100        | 44.6      | 45.9   | 34.4   | 43.3      | 43.6   | 23.3   | 100        |
| 104        | 41        | 42.3   | 29.8   | 39.7      | 39.4   | 19.9   | 104        |
| 108        | 37.6      | 38.9   | 25.3   | 36.4      | 37.5   | 17.2   | 108        |
| 112        | 34.5      | 35.8   | 22.8   | 33.3      | 33.3   | 14.3   | 112        |
| 116        | 31.6      | 32.9   | 18.3   | 30.4      | 31.2   | 12.5   | 116        |
| 120        | 28.9      | 30.2   | 14.6   | 27.7      | 28.9   | 11.2   | 120        |
| 124        |           |        |        | 24.6      | 26.4   | 10.4   | 124        |

**Load Chart of HJDB Configuration****SCC6500A Crawler Crane - Load Chart of HJDB Configuration 8/11**

Superlift radius 19m, the center counterweight is 60t, the rear counterweight 210t, the superlift counterweight 0-310t

| Radius (m) | Boom 144m |        |        | Boom 147m |        |        | Radius (m) |
|------------|-----------|--------|--------|-----------|--------|--------|------------|
|            | HJDB_4    | HJDB_5 | HJDB_7 | HJDB_4    | HJDB_5 | HJDB_7 |            |
| 16         | 127       | 135    | 143    | 121       | 127    | 136    | 16         |
| 17         | 127       | 134    | 143    | 121       | 127    | 136    | 17         |
| 18         | 126       | 134    | 143    | 120       | 127    | 136    | 18         |
| 19         | 126       | 134    | 142    | 120       | 127    | 136    | 19         |
| 20         | 126       | 134    | 142    | 120       | 127    | 136    | 20         |
| 22         | 126       | 133    | 142    | 120       | 127    | 136    | 22         |
| 24         | 125       | 133    | 141    | 120       | 126    | 136    | 24         |
| 26         | 124       | 132    | 141    | 119       | 126    | 135    | 26         |
| 28         | 123       | 131    | 140    | 119       | 125    | 134    | 28         |
| 30         | 122       | 130    | 139    | 119       | 124    | 133    | 30         |
| 32         | 121       | 129    | 137    | 118       | 123    | 132    | 32         |
| 34         | 120       | 128    | 136    | 117       | 122    | 131    | 34         |
| 36         | 119       | 125    | 134    | 116       | 121    | 129    | 36         |
| 38         | 118       | 123    | 131    | 114       | 120    | 127    | 38         |
| 40         | 117       | 121    | 129    | 112       | 117    | 124    | 40         |
| 44         | 116       | 116    | 124    | 110       | 113    | 120    | 44         |
| 48         | 114       | 112    | 119    | 108       | 109    | 115    | 48         |
| 52         | 111       | 107    | 115    | 106       | 106    | 111    | 52         |
| 56         | 108       | 104    | 110    | 104       | 103    | 106    | 56         |
| 60         | 105       | 100    | 105    | 100       | 98.4   | 102    | 60         |
| 64         | 95.6      | 95.4   | 95.4   | 94.4      | 94.2   | 94     | 64         |
| 68         | 86.9      | 87.2   | 86.6   | 85.6      | 86     | 85.3   | 68         |
| 72         | 79.1      | 79.9   | 78.9   | 77.9      | 78.7   | 77.5   | 72         |
| 76         | 72.2      | 73.4   | 72     | 70.9      | 71.9   | 70.6   | 76         |
| 80         | 66        | 67.2   | 65.7   | 64.7      | 65.7   | 64.3   | 80         |
| 84         | 60.3      | 61.6   | 60.1   | 59.1      | 60.1   | 58.7   | 84         |
| 88         | 55.2      | 56.5   | 55     | 54        | 55     | 53.6   | 88         |
| 92         | 50.6      | 51.8   | 50.4   | 49.3      | 50.4   | 49     | 92         |
| 96         | 46.3      | 47.6   | 46.1   | 45.1      | 46.1   | 44.7   | 96         |
| 100        | 42.4      | 43.7   | 42.2   | 41.2      | 42.2   | 40.8   | 100        |
| 104        | 38.8      | 40.1   | 38.6   | 37.6      | 38.6   | 37.2   | 104        |
| 108        | 35.5      | 36.7   | 35.2   | 34.2      | 35.2   | 33.8   | 108        |
| 112        | 32.4      | 33.6   | 32.1   | 31.1      | 32.1   | 30.8   | 112        |
| 116        | 29.5      | 30.7   | 29.3   | 28.2      | 29.3   | 27.9   | 116        |
| 120        | 26.8      | 28     | 26.6   | 25.5      | 26.6   | 25.2   | 120        |
| 124        | 24.3      | 25.5   | 24     | 23        | 24     | 22.2   | 124        |
| 128        |           |        |        | 20.7      | 21.7   | 20.3   | 128        |

Unit: t

## Load Chart of HJDB Configuration

### SCC6500A Crawler Crane - Load Chart of HJDB Configuration 9/11

Superlift radius 19m, the center counterweight is 60t, the rear counterweight 210t, the superlift counterweight 0-310t

| Radius (m) | Boom 150m |        |        | Boom 153m |        |        | Radius (m) |
|------------|-----------|--------|--------|-----------|--------|--------|------------|
|            | HJDB_4    | HJDB_5 | HJDB_7 | HJDB_4    | HJDB_5 | HJDB_7 |            |
| 17         | 114       | 120    | 130    | 109       | 114    | 123    | 17         |
| 18         | 114       | 120    | 130    | 109       | 114    | 123    | 18         |
| 19         | 114       | 120    | 129    | 108       | 114    | 123    | 19         |
| 20         | 114       | 120    | 129    | 108       | 114    | 123    | 20         |
| 22         | 113       | 120    | 129    | 108       | 114    | 123    | 22         |
| 24         | 113       | 120    | 129    | 107       | 114    | 123    | 24         |
| 26         | 113       | 119    | 129    | 106       | 113    | 122    | 26         |
| 28         | 112       | 119    | 128    | 105       | 113    | 122    | 28         |
| 30         | 111       | 118    | 127    | 105       | 112    | 121    | 30         |
| 32         | 110       | 117    | 126    | 104       | 111    | 120    | 32         |
| 34         | 109       | 116    | 125    | 103       | 110    | 119    | 34         |
| 36         | 107       | 115    | 123    | 102       | 109    | 117    | 36         |
| 38         | 106       | 113    | 121    | 101       | 108    | 115    | 38         |
| 40         | 105       | 111    | 119    | 100       | 106    | 113    | 40         |
| 44         | 104       | 108    | 115    | 98.7      | 103    | 110    | 44         |
| 48         | 103       | 105    | 111    | 97.4      | 100    | 105    | 48         |
| 52         | 100       | 102    | 106    | 95.9      | 98.5   | 102    | 52         |
| 56         | 98.8      | 98.9   | 102    | 93.9      | 95.9   | 98.2   | 56         |
| 60         | 96.5      | 95.4   | 98.5   | 91.5      | 92.3   | 94.6   | 60         |
| 64         | 92.8      | 93.2   | 93.7   | 89.4      | 89.4   | 92.2   | 64         |
| 68         | 86.2      | 86.2   | 84.9   | 84.2      | 85.1   | 83.5   | 68         |
| 72         | 78.4      | 78.9   | 77.2   | 77.2      | 77.8   | 75.8   | 72         |
| 76         | 71.5      | 72.3   | 70.2   | 70.3      | 71.1   | 68.8   | 76         |
| 80         | 65.3      | 66.1   | 64     | 64        | 64.8   | 62.6   | 80         |
| 84         | 59.6      | 60.5   | 58.4   | 58.4      | 59.2   | 57     | 84         |
| 88         | 54.5      | 55.4   | 53.3   | 53.3      | 54.1   | 51.9   | 88         |
| 92         | 49.9      | 50.8   | 48.6   | 48.7      | 49.5   | 47.2   | 92         |
| 96         | 45.6      | 46.5   | 44.4   | 44.4      | 45.2   | 43     | 96         |
| 100        | 41.7      | 42.6   | 40.5   | 40.5      | 41.3   | 37.6   | 100        |
| 104        | 38.1      | 39     | 36.9   | 36.9      | 37.7   | 33.6   | 104        |
| 108        | 34.8      | 35.6   | 33.5   | 33.3      | 33.3   | 29.8   | 108        |
| 112        | 31.7      | 32.3   | 29.4   | 28.6      | 28.4   | 25.5   | 112        |
| 116        | 27.5      | 28.4   | 25.4   | 23.4      | 24.2   | 21.9   | 116        |
| 120        | 23.6      | 24.2   | 23.6   | 18.4      | 20.5   | 18.5   | 120        |
| 124        | 19.8      | 21     | 19.9   | 13.2      | 17.4   | 15.6   | 124        |
| 128        | 15.4      | 17.5   | 17.5   | 8.7       | 13.9   | 13.3   | 128        |
| 132        | 11.2      | 15.5   | 15.3   |           | 11.8   | 11.4   | 132        |

## Load Chart of HJDB Configuration

### SCC6500A Crawler Crane - Load Chart of HJDB Configuration 10/11

Superlift radius 19m, the center counterweight is 60t, the rear counterweight 210t, the superlift counterweight 0-310t

| Radius (m) | Boom 156m |        |        | Boom 159m |        |        | Radius (m) |
|------------|-----------|--------|--------|-----------|--------|--------|------------|
|            | HJDB_4    | HJDB_5 | HJDB_7 | HJDB_4    | HJDB_5 | HJDB_7 |            |
| 17         | 103       | 109    | 117    | 98        | 103    | 110    | 17         |
| 18         | 103       | 109    | 117    | 97.5      | 102    | 110    | 18         |
| 19         | 103       | 109    | 117    | 97.1      | 102    | 110    | 19         |
| 20         | 103       | 109    | 117    | 96.5      | 102    | 110    | 20         |
| 22         | 102       | 109    | 117    | 95.9      | 102    | 109    | 22         |
| 24         | 101       | 108    | 117    | 95        | 101    | 108    | 24         |
| 26         | 100       | 107    | 117    | 94.1      | 100    | 107    | 26         |
| 28         | 99.1      | 106    | 116    | 93.2      | 99.4   | 107    | 28         |
| 30         | 98.2      | 105    | 115    | 92.3      | 98.5   | 106    | 30         |
| 32         | 97.5      | 104    | 114    | 91.4      | 97.6   | 105    | 32         |
| 34         | 96.6      | 103    | 113    | 90.5      | 96.7   | 104    | 34         |
| 36         | 95.4      | 101    | 112    | 89.7      | 95.6   | 103    | 36         |
| 38         | 94.2      | 99.5   | 111    | 88.8      | 94.7   | 102    | 38         |
| 40         | 92.6      | 98.1   | 110    | 88.1      | 93.3   | 100    | 40         |
| 44         | 89.9      | 94.5   | 106    | 86.5      | 90.7   | 97.2   | 44         |
| 48         | 86.3      | 91.2   | 102    | 85        | 87.3   | 93.6   | 48         |
| 52         | 83.6      | 87.9   | 98.4   | 83.4      | 84.2   | 90.5   | 52         |
| 56         | 82.2      | 84.2   | 95.8   | 80.5      | 81.8   | 87.2   | 56         |
| 60         | 77.5      | 80.5   | 92.2   | 76.9      | 77.7   | 83.4   | 60         |
| 64         | 74.3      | 76.9   | 88.8   | 74.3      | 75.2   | 79.5   | 64         |
| 68         | 70.5      | 74.2   | 82.7   | 72.2      | 72.2   | 76.2   | 68         |
| 72         | 66.6      | 69.8   | 74.9   | 68.4      | 68.4   | 72.1   | 72         |
| 76         | 62.3      | 65.5   | 68     | 64.2      | 64.5   | 65.6   | 76         |
| 80         | 57.1      | 59.7   | 61.8   | 60.3      | 58.6   | 58.4   | 80         |
| 84         | 53.2      | 55.5   | 56.1   | 55.4      | 53.3   | 50.3   | 84         |
| 88         | 47.5      | 49.8   | 51     | 49.1      | 48.2   | 43.6   | 88         |
| 92         | 41.9      | 45.3   | 46.4   | 45.2      | 43.3   | 36.4   | 92         |
| 96         | 37.3      | 39.8   | 42.1   | 39.5      | 36.6   | 31.3   | 96         |
| 100        | 32.2      | 35.4   | 37.4   | 35.4      | 33.3   | 25.6   | 100        |
| 104        | 27.1      | 30.3   | 31.6   | 29.5      | 27.4   | 20.4   | 104        |
| 108        | 22.2      | 25.6   | 27.5   | 25.5      | 22.5   | 15.6   | 108        |
| 112        | 18.5      | 21.2   | 23.6   | 20.1      | 18.4   | 12.2   | 112        |
| 116        | 15.4      | 17.8   | 19.4   | 16.4      | 14.6   | 8.8    | 116        |
| 120        | 12.6      | 14.2   | 15.6   | 12.2      | 10.2   | 5.4    | 120        |
| 124        | 8.5       | 11.1   | 13.4   | 8.4       | 6.6    |        | 124        |
| 128        | 5.6       | 6.8    | 11.1   |           |        |        | 128        |
| 132        |           | 5.5    | 9.3    |           |        |        | 132        |
| 136        |           |        | 8.1    |           |        |        | 136        |



Unit: t

## Load Chart of HJDB Configuration

### SCC6500A Crawler Crane - Load Chart of HJDB Configuration 11/11

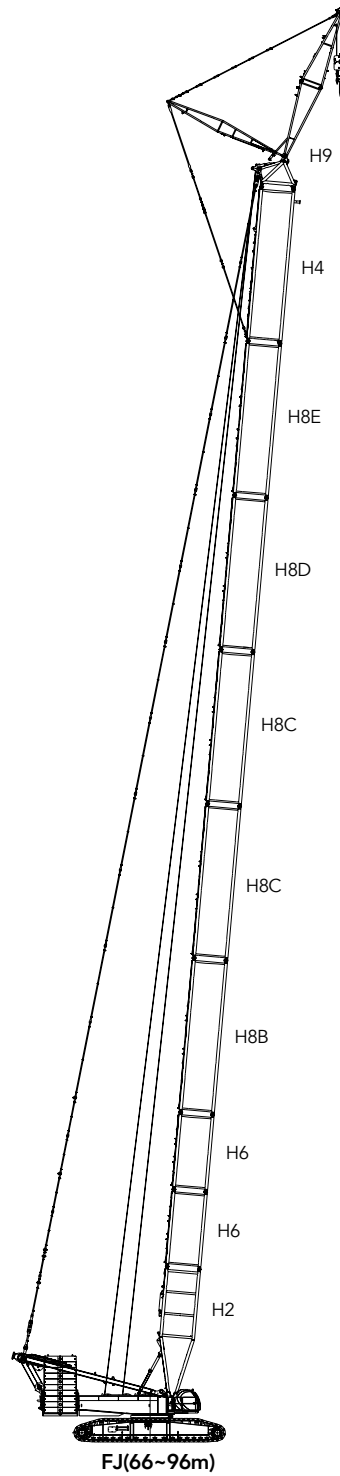
Superlift radius 19m, the center counterweight is 60t, the rear counterweight 210t, the superlift counterweight 0-310t

| Radius (m) | Boom 162m |        | Boom 165m |        | Radius (m) |
|------------|-----------|--------|-----------|--------|------------|
|            | HJDB_5    | HJDB_7 | HJDB_5    | HJDB_7 |            |
| 18         | 96.5      | 106    | 89.3      | 98.7   | 18         |
| 19         | 96        | 106    | 90.2      | 99.9   | 19         |
| 20         | 95.5      | 105    | 89.7      | 99.5   | 20         |
| 22         | 94.6      | 105    | 88.8      | 98.8   | 22         |
| 24         | 93.6      | 104    | 87.8      | 98     | 24         |
| 26         | 92.7      | 103    | 86.8      | 97.3   | 26         |
| 28         | 91.7      | 102    | 85.9      | 96.5   | 28         |
| 30         | 90.8      | 101    | 85        | 95.7   | 30         |
| 32         | 89.9      | 100    | 84        | 95     | 32         |
| 34         | 89        | 99.5   | 83.1      | 94.2   | 34         |
| 36         | 88.1      | 98.7   | 82.2      | 93.5   | 36         |
| 38         | 87.3      | 97.9   | 81.3      | 92.7   | 38         |
| 40         | 86.4      | 97.1   | 80.7      | 92     | 40         |
| 44         | 84.8      | 95.6   | 79.1      | 90.6   | 44         |
| 48         | 83.3      | 94.1   | 77.6      | 89.2   | 48         |
| 52         | 82        | 92.6   | 76.1      | 87.9   | 52         |
| 56         | 80.6      | 91.5   | 74.7      | 86.8   | 56         |
| 60         | 79.3      | 90.1   | 73.4      | 85.5   | 60         |
| 64         | 78        | 88.8   | 72        | 84.3   | 64         |
| 68         | 76.7      | 81.7   | 71        | 80.4   | 68         |
| 72         | 75.5      | 74     | 69.7      | 72.6   | 72         |
| 76         | 69.5      | 67     | 68.2      | 65.7   | 76         |
| 80         | 63.3      | 60.8   | 62        | 59.5   | 80         |
| 84         | 57.7      | 55.2   | 56.4      | 53.8   | 84         |
| 88         | 52.6      | 50.1   | 51.3      | 48.7   | 88         |
| 92         | 47.9      | 45.4   | 46.6      | 44.1   | 92         |
| 96         | 43.6      | 41.2   | 42.4      | 39.8   | 96         |
| 100        | 39.7      | 37.3   | 38.5      | 35.9   | 100        |
| 104        | 36.1      | 33.7   | 34.9      | 32.3   | 104        |
| 108        | 32.8      | 30.3   | 31.5      | 29     | 108        |
| 112        | 29.7      | 27.2   | 28.4      | 25.9   | 112        |
| 116        | 26.8      | 24.3   | 25.5      | 23     | 116        |
| 120        | 24.1      | 21.6   | 22.9      | 20.3   | 120        |
| 124        | 21.6      | 19.1   | 20.3      | 17.8   | 124        |
| 128        | 19.3      | 16.8   | 18        | 15.4   | 128        |
| 132        | 17        | 14.3   | 15.6      | 13.2   | 132        |
| 136        | 15        | 5.6    | 8.6       | 11.1   | 136        |
| 140        | 9.2       |        |           | 5.2    | 140        |

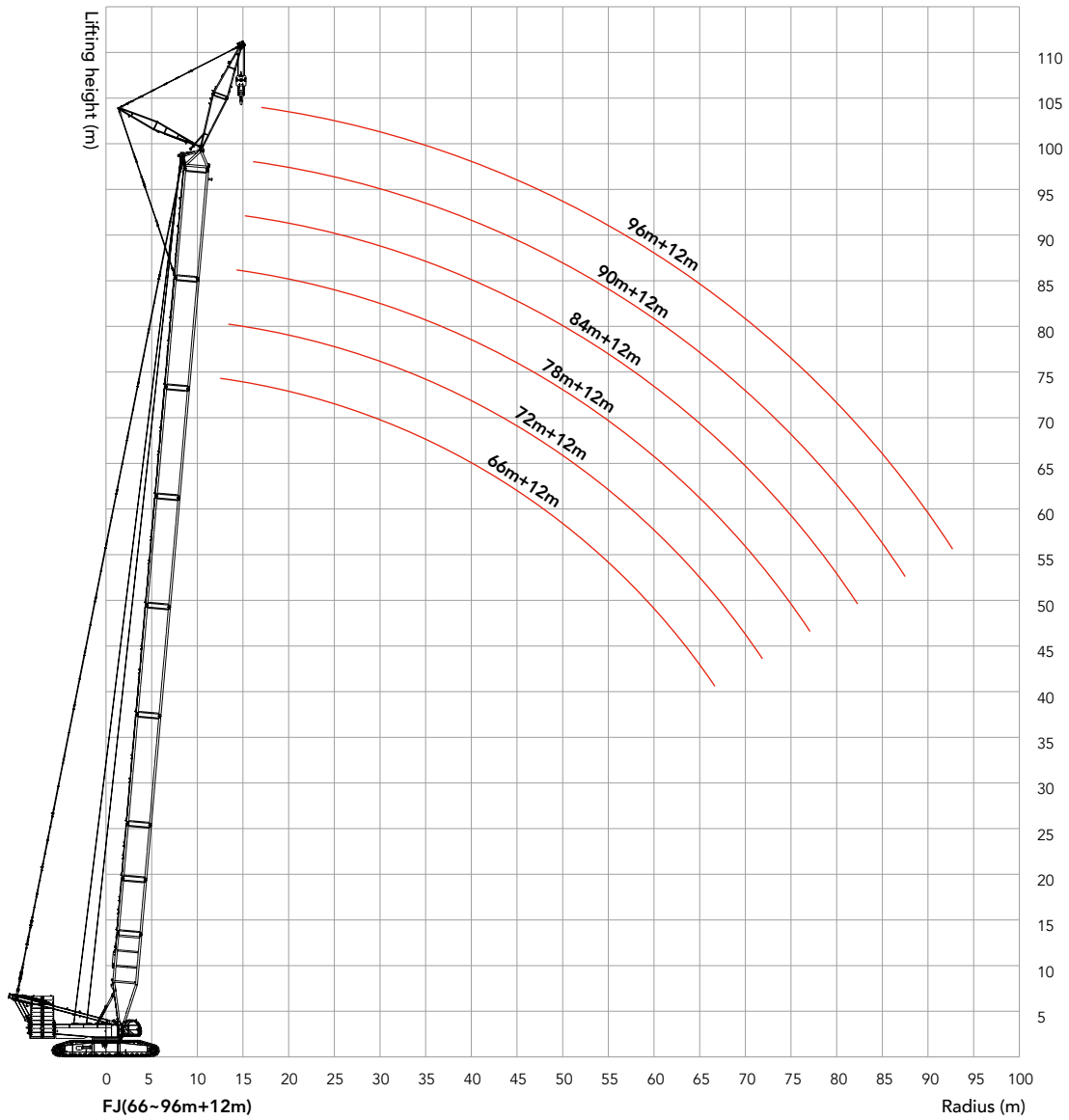
## FJ Boom Combination

| FJ Boom Combination |             |     |                  |
|---------------------|-------------|-----|------------------|
| Boom length (m)     | Boom insert |     |                  |
|                     | 6m          | 12m |                  |
| 66                  | 1           | 3   | Fixed jib<br>12m |
| 72                  | 2           | 3   |                  |
| 78                  | 1           | 4   |                  |
| 84                  | 2           | 4   |                  |
| 90                  | 1           | 5   |                  |
| 96                  | 2           | 5   |                  |

Note: the boom base, 12m transition boom and the boom head are must.



### FJ Work Radius



## Load Chart of FJ Configuration

### SCC6500A Crawler Crane —Load Chart of FJ Configuration 1/3

The boom length ranges 66m ~ 96m, jib 12m, boom and jib included angle is 10°,  
the rear counterweight is 210t, the center counterweight is 60t

| Radius (m) | 66   | 72   | 78   | 84   | 90   | 96   | Radius (m) |
|------------|------|------|------|------|------|------|------------|
| 12         | 168  | 167  |      |      |      |      | 12         |
| 13         | 165  | 166  | 163  | 162  |      |      | 13         |
| 14         | 162  | 163  | 160  | 159  | 158  | 156  | 14         |
| 15         | 160  | 159  | 156  | 155  | 153  | 152  | 15         |
| 16         | 158  | 156  | 152  | 150  | 148  | 147  | 16         |
| 17         | 156  | 153  | 149  | 145  | 142  | 139  | 17         |
| 18         | 154  | 150  | 146  | 141  | 136  | 131  | 18         |
| 19         | 148  | 143  | 138  | 134  | 129  | 124  | 19         |
| 20         | 140  | 135  | 131  | 126  | 122  | 117  | 20         |
| 22         | 126  | 122  | 118  | 113  | 110  | 106  | 22         |
| 24         | 114  | 110  | 107  | 103  | 99.4 | 95.5 | 24         |
| 26         | 104  | 100  | 97.2 | 93.5 | 90.4 | 86.8 | 26         |
| 28         | 95.5 | 91.8 | 89.0 | 85.4 | 82.6 | 79.2 | 28         |
| 30         | 87.8 | 84.3 | 81.7 | 78.3 | 75.7 | 72.4 | 30         |
| 32         | 81.0 | 77.7 | 75.2 | 72.0 | 69.5 | 66.4 | 32         |
| 34         | 75.0 | 71.8 | 69.4 | 66.4 | 64.0 | 61.0 | 34         |
| 36         | 69.5 | 66.5 | 64.2 | 61.3 | 59.0 | 56.2 | 36         |
| 38         | 64.7 | 61.7 | 59.6 | 56.7 | 54.6 | 51.8 | 38         |
| 40         | 60.2 | 57.4 | 55.3 | 52.5 | 50.5 | 47.8 | 40         |
| 44         | 51.7 | 49.8 | 47.9 | 45.2 | 43.3 | 40.7 | 44         |
| 48         | 44.7 | 43.1 | 41.6 | 39.1 | 37.3 | 34.8 | 48         |
| 52         | 38.9 | 37.3 | 36.3 | 33.8 | 32.1 | 29.6 | 52         |
| 56         | 33.9 | 32.3 | 31.4 | 29.2 | 27.6 | 25.2 | 56         |
| 60         | 29.6 | 28.0 | 27.2 | 25.2 | 23.6 | 21.3 | 60         |
| 64         | 25.9 | 24.3 | 23.4 | 21.7 | 20.1 | 17.8 | 64         |
| 68         | 22.6 | 21.0 | 20.2 | 18.5 | 17.0 | 14.7 | 68         |
| 72         |      | 18.1 | 17.3 | 15.7 | 14.2 | 12.0 | 72         |
| 76         |      | 15.5 | 14.7 | 13.1 | 11.7 | 9.5  | 76         |
| 80         |      |      | 12.3 | 10.8 | 9.4  | 7.2  | 80         |
| 84         |      |      |      | 8.6  | 7.3  | 5.2  | 84         |
| 88         |      |      |      |      | 5.4  |      | 88         |

Unit: t

## Load Chart of FJ Configuration

| SCC6500A Crawler Crane —Load Chart of FJ Configuration 2/3                                                                                        |      |      |      |      |      |      |            |
|---------------------------------------------------------------------------------------------------------------------------------------------------|------|------|------|------|------|------|------------|
| The boom length ranges 66m ~ 96m, jib 12m, boom and jib included angle is 15°,<br>the rear counterweight is 210t, the center counterweight is 60t |      |      |      |      |      |      |            |
| Radius (m)                                                                                                                                        | 66   | 72   | 78   | 84   | 90   | 96   | Radius (m) |
| 13                                                                                                                                                | 150  | 148  |      |      |      |      | 13         |
| 14                                                                                                                                                | 149  | 147  | 146  | 145  |      |      | 14         |
| 15                                                                                                                                                | 148  | 146  | 145  | 144  | 141  | 135  | 15         |
| 16                                                                                                                                                | 147  | 145  | 144  | 143  | 140  | 134  | 16         |
| 17                                                                                                                                                | 146  | 143  | 142  | 141  | 139  | 133  | 17         |
| 18                                                                                                                                                | 144  | 141  | 140  | 138  | 136  | 130  | 18         |
| 19                                                                                                                                                | 142  | 139  | 137  | 134  | 130  | 126  | 19         |
| 20                                                                                                                                                | 139  | 135  | 132  | 127  | 123  | 119  | 20         |
| 22                                                                                                                                                | 127  | 123  | 119  | 115  | 111  | 107  | 22         |
| 24                                                                                                                                                | 115  | 111  | 108  | 104  | 101  | 96.8 | 24         |
| 26                                                                                                                                                | 105  | 101  | 98.3 | 94.6 | 91.5 | 88   | 26         |
| 28                                                                                                                                                | 96.4 | 92.7 | 89.9 | 86.4 | 83.6 | 80.3 | 28         |
| 30                                                                                                                                                | 88.6 | 85.2 | 82.5 | 79.2 | 76.6 | 73.4 | 30         |
| 32                                                                                                                                                | 81.8 | 78.5 | 76.0 | 72.9 | 70.4 | 67.3 | 32         |
| 34                                                                                                                                                | 75.6 | 72.5 | 70.2 | 67.2 | 64.8 | 61.9 | 34         |
| 36                                                                                                                                                | 70.2 | 67.2 | 65.0 | 62.0 | 59.8 | 57.0 | 36         |
| 38                                                                                                                                                | 65.2 | 62.3 | 60.2 | 57.4 | 55.3 | 52.5 | 38         |
| 40                                                                                                                                                | 60.7 | 57.9 | 55.9 | 53.2 | 51.2 | 48.5 | 40         |
| 44                                                                                                                                                | 52.1 | 50.3 | 48.4 | 45.8 | 43.9 | 41.4 | 44         |
| 48                                                                                                                                                | 45.1 | 43.5 | 42.1 | 39.6 | 37.8 | 35.4 | 48         |
| 52                                                                                                                                                | 39.2 | 37.6 | 36.7 | 34.3 | 32.6 | 30.2 | 52         |
| 56                                                                                                                                                | 34.2 | 32.6 | 31.8 | 29.6 | 28.0 | 25.7 | 56         |
| 60                                                                                                                                                | 29.9 | 28.3 | 27.5 | 25.6 | 24.0 | 21.7 | 60         |
| 64                                                                                                                                                | 26.1 | 24.5 | 23.7 | 22.0 | 20.4 | 18.2 | 64         |
| 68                                                                                                                                                | 22.7 | 21.2 | 20.4 | 18.8 | 17.3 | 15.1 | 68         |
| 72                                                                                                                                                |      | 18.3 | 17.5 | 15.9 | 14.5 | 12.3 | 72         |
| 76                                                                                                                                                |      | 15.6 | 14.8 | 13.3 | 11.9 | 9.8  | 76         |
| 80                                                                                                                                                |      |      | 12.5 | 10.9 | 9.6  | 7.5  | 80         |
| 84                                                                                                                                                |      |      |      | 8.8  | 7.5  | 5.4  | 84         |
| 88                                                                                                                                                |      |      |      |      | 5.6  |      | 88         |

## Load Chart of FJ Configuration

### SCC6500A Crawler Crane —Load Chart of FJ Configuration 3/3

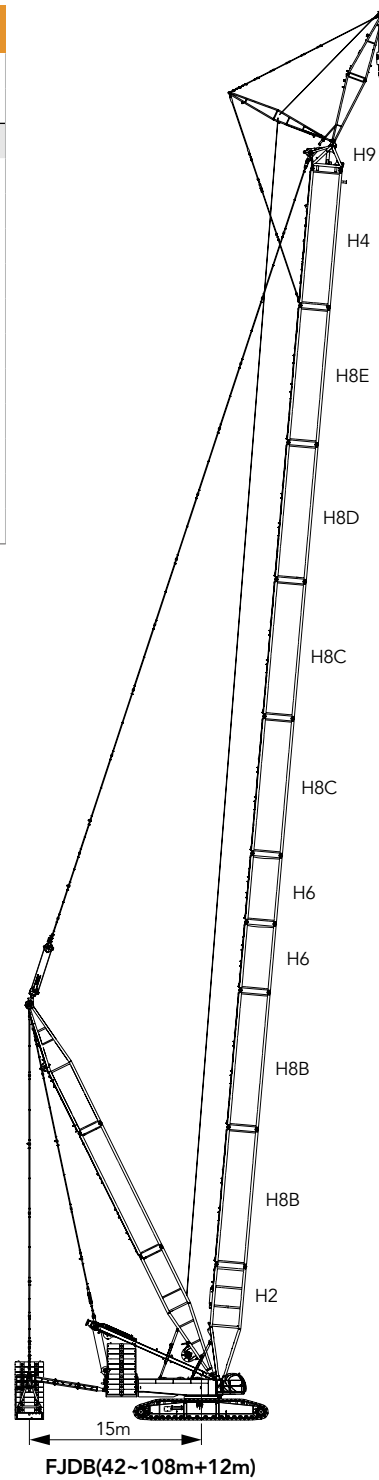
The boom length ranges 66m ~ 96m, jib is 12m, boom and jib included angle is 20°,  
the rear counterweight is 210t, the center counterweight is 60t

| Radius (m) | 66   | 72   | 78   | 84   | 90   | 96   | Radius (m) |
|------------|------|------|------|------|------|------|------------|
| 14         | 135  | 133  |      |      |      |      | 14         |
| 15         | 132  | 131  | 129  | 127  |      |      | 15         |
| 16         | 129  | 129  | 127  | 126  | 125  | 124  | 16         |
| 17         | 126  | 127  | 125  | 123  | 122  | 121  | 17         |
| 18         | 123  | 125  | 123  | 121  | 120  | 119  | 18         |
| 19         | 121  | 123  | 121  | 118  | 117  | 116  | 19         |
| 20         | 119  | 121  | 119  | 116  | 115  | 114  | 20         |
| 22         | 114  | 117  | 115  | 112  | 110  | 108  | 22         |
| 24         | 108  | 112  | 109  | 105  | 102  | 98.2 | 24         |
| 26         | 102  | 102  | 99.3 | 95.6 | 92.6 | 89.1 | 26         |
| 28         | 96.2 | 93.7 | 90.8 | 87.4 | 84.6 | 81.3 | 28         |
| 30         | 89.4 | 86   | 83.4 | 80.1 | 77.5 | 74.4 | 30         |
| 32         | 82.5 | 79.2 | 76.8 | 73.7 | 71.3 | 68.3 | 32         |
| 34         | 76.3 | 73.2 | 70.9 | 67.9 | 65.6 | 62.8 | 34         |
| 36         | 70.8 | 67.8 | 65.6 | 62.8 | 60.6 | 57.8 | 36         |
| 38         | 65.8 | 62.9 | 60.9 | 58.1 | 56.0 | 53.3 | 38         |
| 40         | 61.2 | 58.5 | 56.5 | 53.8 | 51.8 | 49.2 | 40         |
| 44         | 52.6 | 50.8 | 49.0 | 46.4 | 44.5 | 42.0 | 44         |
| 48         | 45.5 | 43.9 | 42.6 | 40.1 | 38.3 | 35.9 | 48         |
| 52         | 39.5 | 38.0 | 37.1 | 34.7 | 33.0 | 30.7 | 52         |
| 56         | 34.4 | 32.9 | 32.1 | 30.0 | 28.4 | 26.1 | 56         |
| 60         | 30.1 | 28.6 | 27.8 | 25.9 | 24.3 | 22.1 | 60         |
| 64         | 26.3 | 24.8 | 24.0 | 22.3 | 20.8 | 18.6 | 64         |
| 68         | 22.9 | 21.4 | 20.6 | 19.0 | 17.6 | 15.4 | 68         |
| 72         |      | 18.4 | 17.6 | 16.1 | 14.7 | 12.6 | 72         |
| 76         |      | 15.7 | 15.0 | 13.5 | 12.1 | 10.0 | 76         |
| 80         |      |      | 12.6 | 11.1 | 9.8  | 7.7  | 80         |
| 84         |      |      |      | 8.9  | 7.6  | 5.6  | 84         |
| 88         |      |      |      |      | 5.7  |      | 88         |

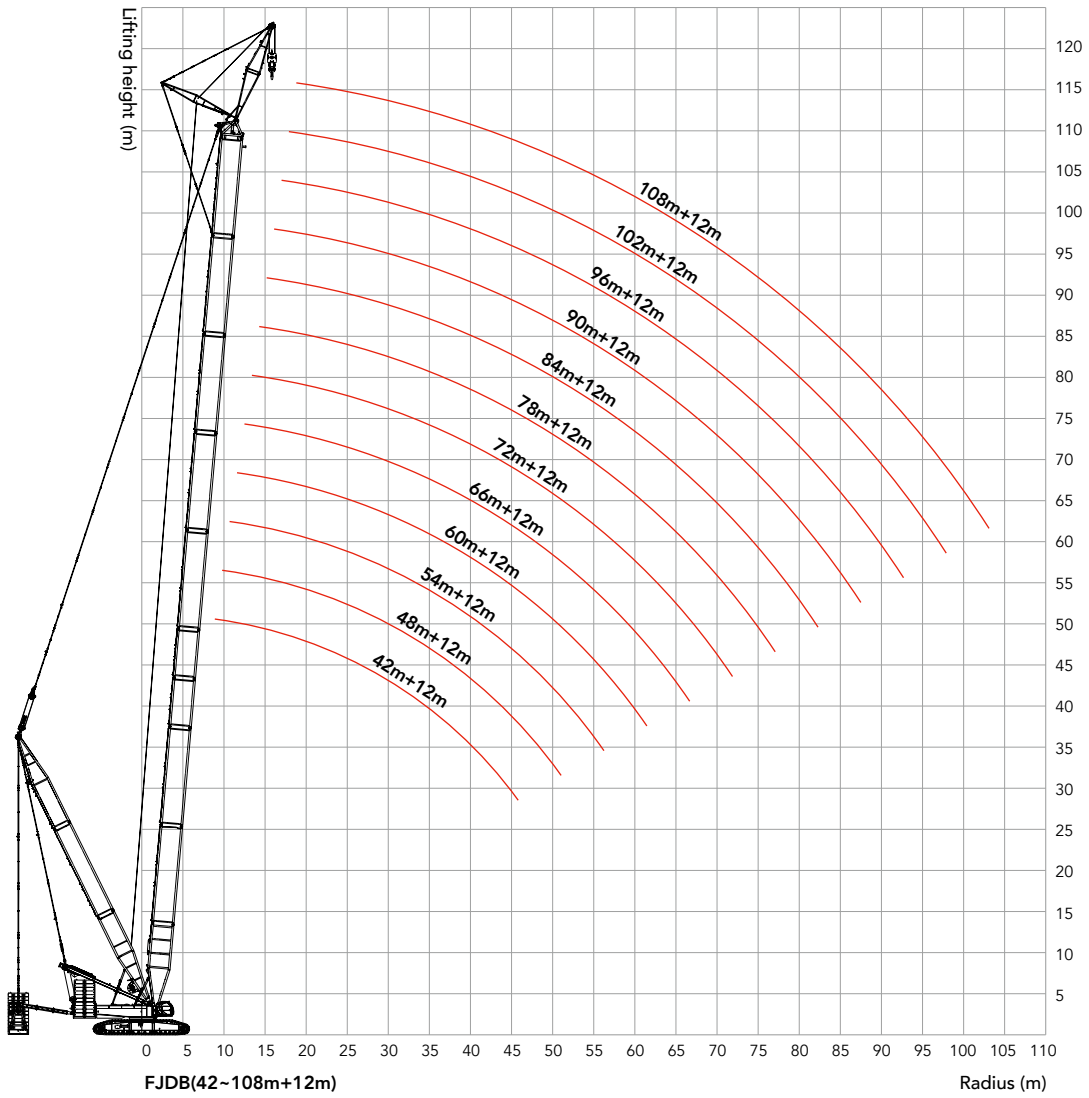
## FJDB Boom Combination

| FJDB Boom Combination |             |     |                  |
|-----------------------|-------------|-----|------------------|
| Boom length (m)       | Boom insert |     |                  |
|                       | 6m          | 12m |                  |
| 42                    | 1           | 1   | Fixed jib<br>12m |
| 48                    | 2           | 1   |                  |
| 54                    | 1           | 2   |                  |
| 60                    | 2           | 2   |                  |
| 66                    | 1           | 3   |                  |
| 72                    | 2           | 3   |                  |
| 78                    | 1           | 4   |                  |
| 84                    | 2           | 4   |                  |
| 90                    | 1           | 5   |                  |
| 96                    | 2           | 5   |                  |
| 102                   | 1           | 6   |                  |
| 108                   | 2           | 6   |                  |

Note: the boom base, 12m transition boom and the boom head are must.



**FJDB Work Radius**





Unit: t

## Load Chart of FJDB Configuration

### SCC6500A Crawler Crane - Load Chart of FJDB Configuration 1/3

The main boom length ranges 42 - 108m, the auxiliary boom length is 12m, the main and auxiliary boom included angle is 10°, the overload lifting radius is 19m, overload lifting counterweight is 0~310t, the rear counterweight is 210t, the center counterweight is 60t

| Radius (m) | 42   | 48   | 54   | 60    | 66    | 72   | 78   | 84    | 90   | 96   | 102   | 108   | Radius (m) |
|------------|------|------|------|-------|-------|------|------|-------|------|------|-------|-------|------------|
| 9          | 168  |      |      |       |       |      |      |       |      |      |       |       | 9          |
| 10         | 168  | 168  | 168  |       |       |      |      |       |      |      |       |       | 10         |
| 11         | 168  | 168  | 168  | 168   | 168   |      |      |       |      |      |       |       | 11         |
| 12         | 164  | 168  | 168  | 168   | 168   | 168  | 168  |       |      |      |       |       | 12         |
| 13         | 157  | 161  | 165  | 168   | 168   | 168  | 168  | 168   |      |      |       |       | 13         |
| 14         | 151  | 153  | 158  | 164   | 166   | 168  | 168  | 168   | 168  | 168  |       |       | 14         |
| 15         | 143  | 147  | 152  | 157   | 159   | 164  | 168  | 168   | 168  | 168  | 165   | 149   | 15         |
| 16         | 138  | 142  | 147  | 151   | 155   | 159  | 164  | 166   | 168  | 168  | 165   | 149   | 16         |
| 17         | 132  | 136  | 141  | 146   | 150   | 155  | 159  | 162   | 164  | 165  | 165   | 149   | 17         |
| 18         | 127  | 130  | 138  | 142   | 145   | 150  | 155  | 158   | 161  | 162  | 164   | 149   | 18         |
| 19         | 121  | 127  | 132  | 136   | 139   | 145  | 151  | 153   | 157  | 158  | 160   | 149   | 19         |
| 20         | 118  | 122  | 127  | 132   | 134   | 141  | 144  | 148   | 152  | 153  | 156   | 149   | 20         |
| 22         | 111  | 115  | 121  | 125   | 128   | 134  | 138  | 141   | 144  | 146  | 149   | 149   | 22         |
| 24         | 105  | 108  | 115  | 119   | 122   | 129  | 131  | 135   | 137  | 140  | 143   | 146   | 24         |
| 26         | 99.9 | 104  | 109  | 111   | 116   | 121  | 126  | 129   | 132  | 134  | 136   | 139   | 26         |
| 28         | 93.5 | 99.4 | 103  | 106   | 111   | 117  | 119  | 123   | 127  | 128  | 132   | 134   | 28         |
| 30         | 89.4 | 94.7 | 98.4 | 102.0 | 105   | 111  | 115  | 118   | 121  | 123  | 126   | 129   | 30         |
| 32         | 85.1 | 90.3 | 93.9 | 98.8  | 100.0 | 105  | 110  | 114   | 117  | 119  | 121   | 125   | 32         |
| 34         | 81.4 | 85.9 | 90.3 | 95.1  | 94.3  | 102  | 106  | 108   | 112  | 115  | 117   | 120   | 34         |
| 36         | 78.2 | 82.3 | 86.7 | 90.8  | 91.8  | 98.6 | 101  | 104   | 108  | 110  | 113   | 116   | 36         |
| 38         | 74.8 | 78.0 | 82.8 | 86.3  | 89.7  | 95.1 | 98.2 | 101.0 | 106  | 107  | 110   | 112   | 38         |
| 40         | 72.2 | 76.5 | 79.7 | 82.9  | 86.0  | 91.5 | 93.9 | 97.6  | 101  | 102  | 105   | 107   | 40         |
| 44         | 67.5 | 72.4 | 75.0 | 79.3  | 81.9  | 85.6 | 88.2 | 91.2  | 96.7 | 98.4 | 100.0 | 102.0 | 44         |
| 48         | 63.3 | 67.0 | 71.3 | 74.6  | 77.4  | 80.8 | 82.2 | 86.9  | 90.8 | 92.7 | 94.2  | 97.2  | 48         |
| 52         |      | 62.4 | 66.2 | 70.2  | 72.9  | 76.0 | 78.3 | 81.8  | 85.3 | 86.4 | 88.8  | 92.0  | 52         |
| 56         |      |      | 62.8 | 66.7  | 68.2  | 71.7 | 74.7 | 77.2  | 81.3 | 81.9 | 84.8  | 87.3  | 56         |
| 60         |      |      | 58.4 | 63.7  | 65.7  | 69.0 | 70.3 | 74.2  | 76.7 | 78.9 | 81.0  | 82.9  | 60         |
| 64         |      |      |      | 60.1  | 62.7  | 65.7 | 67.8 | 70.8  | 72.2 | 75.6 | 76.6  | 80.2  | 64         |
| 68         |      |      |      |       | 59.5  | 63.2 | 66.1 | 68.1  | 69.5 | 72.0 | 73.4  | 77.1  | 68         |
| 72         |      |      |      |       |       | 61.2 | 63.1 | 65.5  | 66.7 | 69.0 | 71.3  | 74.2  | 72         |
| 76         |      |      |      |       |       | 58.6 | 61.1 | 63.3  | 64.7 | 66.5 | 68.4  | 71.4  | 76         |
| 80         |      |      |      |       |       |      | 59.1 | 61.4  | 62.8 | 64.9 | 66.8  | 68.7  | 80         |
| 84         |      |      |      |       |       |      |      | 59.4  | 61.1 | 63.2 | 64.1  | 66.7  | 84         |
| 88         |      |      |      |       |       |      |      |       | 59.4 | 60.9 | 62.2  | 64.8  | 88         |
| 92         |      |      |      |       |       |      |      |       | 57.5 | 59.4 | 60.3  | 61.7  | 92         |
| 96         |      |      |      |       |       |      |      |       |      | 58.1 | 57.9  | 58.8  | 96         |
| 100        |      |      |      |       |       |      |      |       |      |      | 53.6  | 54.2  | 100        |
| 104        |      |      |      |       |       |      |      |       |      |      |       | 49.6  | 104        |

**Load Chart of FJDB Configuration****SCC6500A Crawler Crane - Load Chart of FJDB Configuration 2/3**

The main boom length ranges 42 - 108m, the auxiliary boom length is 12m, the main and auxiliary boom included angle is 15°, the overload lifting radius is 19m, overload lifting counterweight is 0~310t, the rear counterweight is 210t, the center counterweight is 60t

| Radius (m) | 42   | 48   | 54   | 60   | 66   | 72   | 78   | 84   | 90   | 96   | 102  | 108  | Radius (m) |
|------------|------|------|------|------|------|------|------|------|------|------|------|------|------------|
| 10         | 168  |      |      |      |      |      |      |      |      |      |      |      | 10         |
| 11         | 165  | 168  | 168  |      |      |      |      |      |      |      |      |      | 11         |
| 12         | 157  | 162  | 165  | 168  | 168  |      |      |      |      |      |      |      | 12         |
| 13         | 150  | 155  | 159  | 163  | 165  | 168  | 168  |      |      |      |      |      | 13         |
| 14         | 144  | 147  | 152  | 157  | 160  | 164  | 165  | 168  |      |      |      |      | 14         |
| 15         | 137  | 141  | 147  | 151  | 154  | 157  | 162  | 164  | 168  | 168  |      |      | 15         |
| 16         | 132  | 136  | 142  | 145  | 150  | 152  | 157  | 159  | 161  | 163  | 163  | 147  | 16         |
| 17         | 126  | 131  | 136  | 140  | 145  | 148  | 152  | 155  | 157  | 159  | 160  | 147  | 17         |
| 18         | 121  | 125  | 133  | 136  | 140  | 143  | 148  | 151  | 154  | 156  | 158  | 147  | 18         |
| 19         | 116  | 122  | 127  | 131  | 134  | 139  | 144  | 146  | 150  | 152  | 154  | 147  | 19         |
| 20         | 113  | 117  | 123  | 127  | 130  | 135  | 138  | 141  | 145  | 148  | 150  | 147  | 20         |
| 22         | 106  | 111  | 117  | 120  | 124  | 128  | 132  | 135  | 138  | 141  | 144  | 145  | 22         |
| 24         | 100  | 104  | 111  | 114  | 118  | 123  | 125  | 129  | 131  | 135  | 138  | 140  | 24         |
| 26         | 95.2 | 100  | 105  | 107  | 112  | 116  | 120  | 123  | 126  | 129  | 131  | 134  | 26         |
| 28         | 89.5 | 95.6 | 100  | 102  | 107  | 112  | 114  | 118  | 121  | 124  | 127  | 129  | 28         |
| 30         | 85.7 | 91.1 | 95.6 | 99.2 | 102  | 106  | 110  | 113  | 116  | 119  | 122  | 124  | 30         |
| 32         | 81.1 | 86.9 | 91.2 | 95.5 | 97.1 | 101  | 106  | 109  | 112  | 115  | 117  | 120  | 32         |
| 34         | 77.6 | 82.6 | 87.7 | 91.9 | 91.6 | 97.8 | 102  | 104  | 107  | 111  | 113  | 116  | 34         |
| 36         | 74.5 | 79.2 | 84.2 | 87.8 | 89.2 | 94.4 | 97.8 | 100  | 103  | 106  | 109  | 112  | 36         |
| 38         | 71.4 | 75.3 | 80.4 | 83.4 | 87.1 | 91.1 | 94.5 | 97.1 | 101  | 103  | 106  | 108  | 38         |
| 40         | 68.8 | 73.6 | 77.4 | 80.1 | 83.5 | 87.6 | 90.3 | 93.4 | 97.2 | 98.8 | 101  | 104  | 40         |
| 44         | 64.6 | 69.7 | 72.9 | 76.7 | 79.6 | 82.0 | 84.9 | 87.3 | 92.1 | 95.1 | 96.9 | 98.8 | 44         |
| 48         | 60.3 | 64.5 | 69.3 | 72.1 | 75.2 | 77.4 | 79.1 | 83.2 | 87.4 | 89.6 | 91.5 | 93.7 | 48         |
| 52         |      | 60.1 | 64.3 | 67.9 | 70.8 | 72.8 | 75.3 | 78.4 | 82.1 | 83.5 | 86.3 | 88.7 | 52         |
| 56         |      |      | 61.1 | 64.5 | 66.3 | 68.7 | 71.9 | 73.9 | 78.2 | 79.2 | 82.4 | 84.2 | 56         |
| 60         |      |      | 57.2 | 61.6 | 63.8 | 66.1 | 67.6 | 71.1 | 73.8 | 76.3 | 78.7 | 79.9 | 60         |
| 64         |      |      |      | 58.1 | 60.9 | 62.9 | 65.2 | 67.8 | 69.5 | 73.1 | 74.4 | 77.3 | 64         |
| 68         |      |      |      |      | 57.8 | 60.5 | 63.6 | 65.2 | 66.9 | 69.6 | 71.3 | 74.3 | 68         |
| 72         |      |      |      |      |      | 58.6 | 60.7 | 62.7 | 64.2 | 66.7 | 69.3 | 71.5 | 72         |
| 76         |      |      |      |      |      | 56.1 | 58.8 | 60.6 | 62.3 | 64.3 | 66.5 | 68.8 | 76         |
| 80         |      |      |      |      |      |      | 56.9 | 58.8 | 60.4 | 62.8 | 64.9 | 66.2 | 80         |
| 84         |      |      |      |      |      |      |      | 56.9 | 58.8 | 61.1 | 62.3 | 64.3 | 84         |
| 88         |      |      |      |      |      |      |      |      | 57.2 | 58.9 | 60.4 | 62.5 | 88         |
| 92         |      |      |      |      |      |      |      |      | 55.5 | 57.4 | 58.6 | 59.5 | 92         |
| 96         |      |      |      |      |      |      |      |      |      | 56.2 | 56.3 | 56.7 | 96         |
| 100        |      |      |      |      |      |      |      |      |      |      | 52.1 | 52.3 | 100        |
| 104        |      |      |      |      |      |      |      |      |      |      |      | 47.8 | 104        |

Unit: t

## Load Chart of FJDB Configuration

### SCC6500A Crawler Crane - Load Chart of FJDB Configuration 3/3

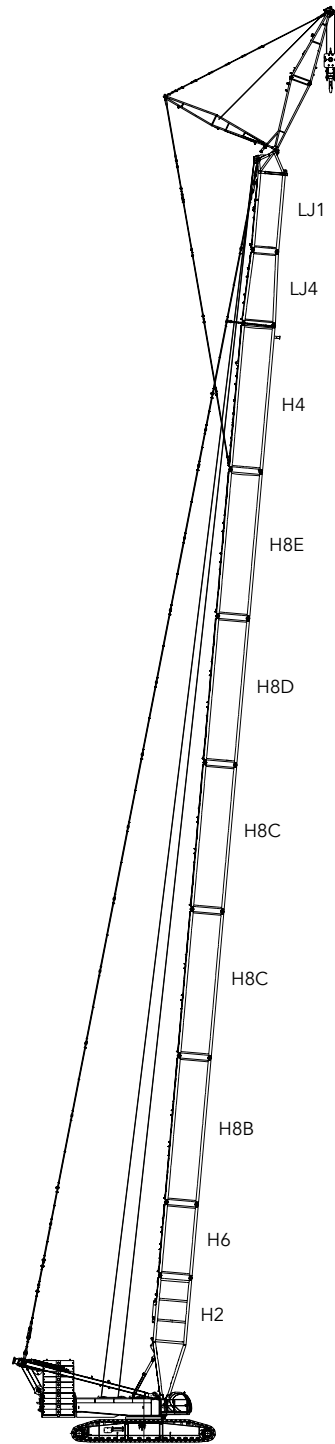
The main boom length ranges 42 - 108m, the auxiliary boom length is 12m, the main and auxiliary boom included angle is 20°, the overload lifting radius is 19m, overload lifting counterweight is 0~310t, the rear counterweight is 210t, the center counterweight is 60t

| Radius (m) | 42   | 48   | 54   | 60   | 66   | 72   | 78   | 84   | 90   | 96   | 102  | 108  | Radius (m) |
|------------|------|------|------|------|------|------|------|------|------|------|------|------|------------|
| 11         | 125  |      |      |      |      |      |      |      |      |      |      |      | 11         |
| 12         | 121  | 125  | 125  |      |      |      |      |      |      |      |      |      | 12         |
| 13         | 116  | 120  | 123  | 125  | 125  |      |      |      |      |      |      |      | 13         |
| 14         | 112  | 115  | 120  | 121  | 122  | 125  | 125  |      |      |      |      |      | 14         |
| 15         | 108  | 111  | 116  | 117  | 118  | 121  | 122  | 125  | 125  |      |      |      | 15         |
| 16         | 104  | 107  | 112  | 114  | 115  | 117  | 119  | 121  | 123  | 125  |      |      | 16         |
| 17         | 100  | 103  | 107  | 110  | 112  | 113  | 116  | 117  | 120  | 121  | 125  | 125  | 17         |
| 18         | 96.8 | 100  | 103  | 107  | 109  | 110  | 113  | 114  | 118  | 118  | 121  | 121  | 18         |
| 19         | 94.2 | 97.8 | 101  | 104  | 106  | 108  | 110  | 111  | 115  | 115  | 117  | 117  | 19         |
| 20         | 91.5 | 95.3 | 99.6 | 101  | 103  | 106  | 108  | 109  | 111  | 112  | 114  | 115  | 20         |
| 22         | 86.7 | 90.9 | 94.6 | 97.5 | 100  | 102  | 104  | 106  | 107  | 109  | 111  | 112  | 22         |
| 24         | 82.2 | 85.6 | 89.4 | 92.3 | 95.3 | 97.1 | 100  | 102  | 103  | 105  | 107  | 108  | 24         |
| 26         | 78.3 | 82.2 | 84.3 | 88.2 | 90.9 | 93.5 | 96.1 | 97.6 | 100  | 101  | 103  | 105  | 26         |
| 28         | 74.6 | 78.6 | 81.6 | 85.6 | 86.9 | 89.6 | 92.2 | 94.4 | 96.1 | 98.4 | 100  | 101  | 28         |
| 30         | 71.3 | 74.3 | 78.3 | 80.9 | 84.1 | 86.9 | 88.9 | 91.2 | 93.7 | 95.1 | 97.4 | 98.4 | 30         |
| 32         | 68.6 | 71.1 | 74.9 | 77.4 | 80.3 | 83.4 | 85.2 | 88.7 | 89.9 | 92.3 | 93.3 | 95.6 | 32         |
| 34         | 65.2 | 68.5 | 72.3 | 75.6 | 77.9 | 80.6 | 83.3 | 85.2 | 87.1 | 89.5 | 91.2 | 92.5 | 34         |
| 36         | 62.6 | 66.6 | 69.6 | 73.5 | 75.5 | 77.3 | 80.5 | 82.6 | 83.4 | 86.8 | 87.6 | 89.4 | 36         |
| 38         | 60.8 | 64.5 | 67.1 | 70.6 | 73.1 | 75.1 | 77.7 | 79.9 | 81.6 | 83.5 | 85.7 | 87.5 | 38         |
| 40         | 58.6 | 62.3 | 65.2 | 68.2 | 70.4 | 73.2 | 75.6 | 77.5 | 79.5 | 81.1 | 83.3 | 85.1 | 40         |
| 44         | 56.1 | 58.9 | 62.8 | 64.1 | 66.3 | 68.9 | 72.3 | 73.3 | 75.3 | 77.6 | 79.5 | 81.6 | 44         |
| 48         | 53.2 | 56.3 | 58.1 | 61.6 | 62.5 | 66.6 | 67.7 | 70.4 | 72.2 | 73.6 | 75.7 | 77.5 | 48         |
| 52         |      | 52.9 | 55.5 | 58.5 | 60.6 | 62.7 | 64.6 | 66.6 | 68.9 | 70.5 | 72.2 | 74.6 | 52         |
| 56         |      | 48.6 | 53.9 | 55.6 | 57.9 | 59.2 | 61.5 | 64.1 | 65.6 | 67.3 | 68.4 | 71.2 | 56         |
| 60         |      |      | 50.3 | 53.7 | 56.1 | 57.6 | 59.8 | 61.3 | 62.4 | 65.4 | 66.6 | 67.8 | 60         |
| 64         |      |      |      | 50.3 | 54.1 | 55.8 | 57.7 | 58.9 | 60.3 | 62.5 | 64.4 | 65.7 | 64         |
| 68         |      |      |      |      | 51.6 | 54.1 | 55.3 | 57.5 | 58.7 | 60.3 | 62.5 | 63.2 | 68         |
| 72         |      |      |      |      |      | 52.3 | 54.1 | 55.4 | 57.1 | 58.8 | 60.2 | 61.6 | 72         |
| 76         |      |      |      |      |      | 50.0 | 52.6 | 53.9 | 55.1 | 57.1 | 57.9 | 59.5 | 76         |
| 80         |      |      |      |      |      |      | 49.9 | 52.7 | 53.9 | 55.4 | 56.1 | 57.6 | 80         |
| 84         |      |      |      |      |      |      |      | 50.5 | 52.2 | 54.2 | 54.6 | 56.1 | 84         |
| 88         |      |      |      |      |      |      |      |      | 51.4 | 52.7 | 53.4 | 54.4 | 88         |
| 92         |      |      |      |      |      |      |      |      | 49.8 | 47.6 | 52.5 | 53.4 | 92         |
| 96         |      |      |      |      |      |      |      |      |      | 42.4 | 51.7 | 52.3 | 96         |
| 100        |      |      |      |      |      |      |      |      |      |      | 42.5 | 51.2 | 100        |
| 104        |      |      |      |      |      |      |      |      |      |      |      | 47.6 | 104        |

**HJFJ\_1 Boom Combination****HJFJ\_1 Boom Combination**

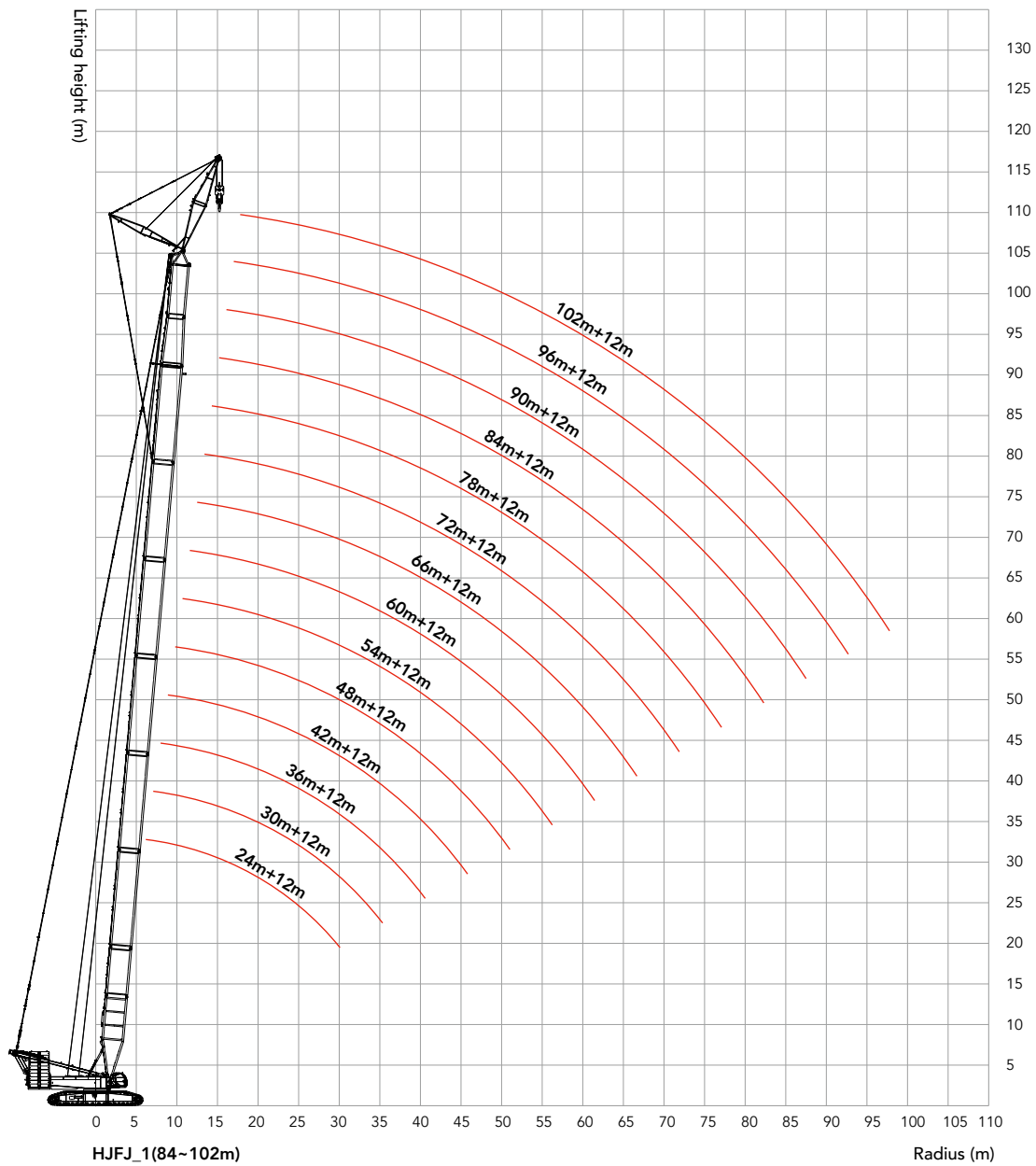
| Boom length (m) | Boom insert |    |     |               |
|-----------------|-------------|----|-----|---------------|
|                 | 3m          | 6m | 12m |               |
| 84*             | -           | -  | 4   | Fixed jib 12m |
| 87*             | 1           | -  | 4   |               |
| 90*             | -           | 1  | 4   |               |
| 93*             | 1           | 1  | 4   |               |
| 96*             | -           | -  | 5   |               |
| 99*             | 1           | -  | 5   |               |
| 102*            | -           | 1  | 5   |               |

Notes: The boom base, 6m tapered insert, 7.5m jib top are must. The mid-point suspension cable must be used for boom length with \*; otherwise, there is danger of boom breaking.



HJFJ\_1(84~102m)

## HJFJ\_1 Work Radius



**Load Chart of HJFJ\_1 Configuration****SCC6500A Crawler Crane - Load Chart of HJFJ\_1 Configuration 1/3**

Main boom length ranges 84m - 102m, auxiliary boom 12m, main and auxiliary boom included angle is 10° ,  
rear counterweight is 210t, central counterweight is 60t

| Radius (m) | 84   | 87   | 90   | 93   | 96   | 99   | 102  | Radius (m) |
|------------|------|------|------|------|------|------|------|------------|
| 13         | 168  | 165  |      |      |      |      |      | 13         |
| 14         | 165  | 164  | 158  | 152  | 150  | 147  |      | 14         |
| 15         | 163  | 161  | 153  | 150  | 148  | 145  | 142  | 15         |
| 16         | 153  | 151  | 148  | 147  | 146  | 142  | 141  | 16         |
| 17         | 145  | 143  | 145  | 145  | 144  | 141  | 141  | 17         |
| 18         | 136  | 135  | 143  | 142  | 142  | 138  | 137  | 18         |
| 19         | 130  | 127  | 140  | 138  | 139  | 136  | 135  | 19         |
| 20         | 123  | 121  | 135  | 134  | 135  | 134  | 133  | 20         |
| 22         | 111  | 109  | 120  | 119  | 119  | 119  | 120  | 22         |
| 24         | 100  | 99.8 | 104  | 100  | 93.9 | 96.7 | 99.5 | 24         |
| 26         | 92.4 | 90.7 | 91   | 89.5 | 85.6 | 83.9 | 80.4 | 26         |
| 28         | 84.8 | 83.2 | 81.6 | 80   | 78.4 | 76.8 | 71.7 | 28         |
| 30         | 78.1 | 76.6 | 75.1 | 73.5 | 72   | 70.5 | 65.9 | 30         |
| 32         | 72.1 | 70.7 | 69.3 | 67.7 | 66.3 | 64.9 | 60.7 | 32         |
| 34         | 66.8 | 65.4 | 64   | 62.6 | 61.2 | 59.9 | 55.9 | 34         |
| 36         | 62.1 | 60.6 | 59.4 | 58   | 56.6 | 55.3 | 51.7 | 36         |
| 38         | 57.7 | 56.3 | 55.1 | 53.8 | 52.4 | 51.1 | 47.8 | 38         |
| 40         | 53.8 | 52.4 | 51.2 | 49.9 | 48.6 | 47.4 | 44.3 | 40         |
| 44         | 46.8 | 45.6 | 44.5 | 43.2 | 42   | 40.8 | 38.1 | 44         |
| 48         | 40.7 | 39.8 | 38.8 | 37.5 | 36.4 | 35.2 | 32.8 | 48         |
| 52         | 36.1 | 34.9 | 33.8 | 32.6 | 31.5 | 30.3 | 28.3 | 52         |
| 56         | 31.7 | 30.6 | 29.5 | 28.4 | 27.3 | 26.1 | 24.3 | 56         |
| 60         | 27.7 | 26.8 | 25.7 | 24.7 | 23.6 | 22.5 | 20.9 | 60         |
| 64         | 24.2 | 23.5 | 22.5 | 21.4 | 20.3 | 19.2 | 17.8 | 64         |
| 68         | 21.2 | 20.4 | 19.6 | 18.4 | 17.4 | 16.3 | 15.1 | 68         |
| 72         | 18.4 | 17.7 | 16.9 | 15.9 | 14.8 | 13.7 | 12.7 | 72         |
| 76         | 16   | 15.2 | 14.5 | 13.5 | 12.4 | 11.4 | 10.4 | 76         |
| 80         | 13.8 | 13   | 12.4 | 11.3 | 10.4 | 9.2  | 8.5  | 80         |
| 84         | 11.8 | 11   | 10.4 | 9.3  | 8.4  | 7.3  | 6.7  | 84         |
| 88         |      | 9.2  | 8.6  | 7.6  | 6.6  | 5.5  | 5    | 88         |

Notes: HJFJ102+12 working condition boom (rear counterweight 230t and center counterweight 40t).

Unit: t

## Load Chart of HJFJ\_1 Configuration

| SCC6500A Crawler Crane - Load Chart of HJFJ_1 Configuration 2/3                                                                                                  |      |      |      |      |      |      |      |            |
|------------------------------------------------------------------------------------------------------------------------------------------------------------------|------|------|------|------|------|------|------|------------|
| Main boom length ranges 84m - 102m, auxiliary boom 12m, main and auxiliary boom included angle is 15° , rear counterweight is 210t, central counterweight is 60t |      |      |      |      |      |      |      |            |
| Radius (m)                                                                                                                                                       | 84   | 87   | 90   | 93   | 96   | 99   | 102  | Radius (m) |
| 14                                                                                                                                                               | 155  | 153  |      |      |      |      |      | 14         |
| 15                                                                                                                                                               | 153  | 151  | 149  | 147  | 145  | 143  |      | 15         |
| 16                                                                                                                                                               | 150  | 149  | 147  | 144  | 141  | 139  | 130  | 16         |
| 17                                                                                                                                                               | 143  | 140  | 139  | 136  | 133  | 131  | 129  | 17         |
| 18                                                                                                                                                               | 136  | 133  | 130  | 128  | 126  | 124  | 123  | 18         |
| 19                                                                                                                                                               | 128  | 126  | 124  | 122  | 119  | 117  | 117  | 19         |
| 20                                                                                                                                                               | 121  | 119  | 117  | 115  | 113  | 111  | 111  | 20         |
| 22                                                                                                                                                               | 110  | 108  | 106  | 104  | 102  | 100  | 99.6 | 22         |
| 24                                                                                                                                                               | 100  | 98.6 | 96.7 | 94.9 | 92.9 | 91.1 | 90.9 | 24         |
| 26                                                                                                                                                               | 91.3 | 89.7 | 88.1 | 86.4 | 84.8 | 83.1 | 82.9 | 26         |
| 28                                                                                                                                                               | 83.8 | 82.2 | 80.7 | 79.1 | 77.7 | 76.1 | 75.9 | 28         |
| 30                                                                                                                                                               | 77.2 | 75.7 | 74.2 | 72.8 | 71.3 | 68.8 | 69.2 | 30         |
| 32                                                                                                                                                               | 71.3 | 69.8 | 68.5 | 64.9 | 63.5 | 62.2 | 61.4 | 32         |
| 34                                                                                                                                                               | 66   | 64.7 | 63.3 | 60   | 58.7 | 57.4 | 56.6 | 34         |
| 36                                                                                                                                                               | 61.3 | 60   | 58.7 | 55.5 | 54.3 | 53   | 52.3 | 36         |
| 38                                                                                                                                                               | 57   | 55.8 | 53.5 | 50.5 | 50.3 | 49.1 | 48.4 | 38         |
| 40                                                                                                                                                               | 52.1 | 51.9 | 48.7 | 45.9 | 46.7 | 45.5 | 44.8 | 40         |
| 44                                                                                                                                                               | 46.3 | 45.2 | 44   | 41.4 | 40.3 | 39.2 | 38.6 | 44         |
| 48                                                                                                                                                               | 40.5 | 39.4 | 38.3 | 36   | 34.9 | 33.8 | 33.3 | 48         |
| 52                                                                                                                                                               | 35.6 | 34.5 | 33.5 | 31.3 | 30.2 | 29.2 | 28.7 | 52         |
| 56                                                                                                                                                               | 31.3 | 30.3 | 29.3 | 27.3 | 26.3 | 25.2 | 24.8 | 56         |
| 60                                                                                                                                                               | 27.4 | 26.6 | 25.6 | 23.7 | 22.7 | 21.7 | 21.2 | 60         |
| 64                                                                                                                                                               | 24   | 23.3 | 22.3 | 20.5 | 19.5 | 18.5 | 18.2 | 64         |
| 68                                                                                                                                                               | 20.9 | 20.2 | 19.3 | 17.7 | 16.7 | 15.8 | 15.4 | 68         |
| 72                                                                                                                                                               | 18.2 | 17.5 | 16.7 | 15.2 | 14.3 | 13.2 | 13   | 72         |
| 76                                                                                                                                                               | 15.8 | 15.1 | 14.4 | 13   | 12   | 11   | 10.7 | 76         |
| 80                                                                                                                                                               | 13.7 | 12.9 | 12.3 | 10.9 | 10   | 9    | 8.6  | 80         |
| 84                                                                                                                                                               | 11.6 | 11   | 10.3 | 9    | 8.1  | 7.1  | 6.8  | 84         |
| 88                                                                                                                                                               |      | 9.1  | 8.5  | 7.3  | 6.4  | 5.4  | 5.1  | 88         |

Notes: HJFJ102+12 working condition boom (rear counterweight 230t and center counterweight 40t).

**Load Chart of HJFJ\_1 Configuration****SCC6500A Crawler Crane - Load Chart of HJFJ\_1 Configuration 3/3**

Main boom length ranges 84m - 102m, auxiliary boom 12m, main and auxiliary boom included angle is 20° ,  
rear counterweight is 210t, central counterweight is 60t

| Radius (m) | 84   | 87   | 90   | 93   | 96   | 99   | 102  | Radius (m) |
|------------|------|------|------|------|------|------|------|------------|
| 15         | 132  | 131  | 129  |      |      |      |      | 15         |
| 16         | 130  | 128  | 127  | 126  | 125  | 121  |      | 16         |
| 17         | 129  | 127  | 126  | 124  | 123  | 121  | 114  | 17         |
| 18         | 127  | 126  | 124  | 123  | 122  | 119  | 113  | 18         |
| 19         | 125  | 124  | 122  | 121  | 119  | 117  | 112  | 19         |
| 20         | 122  | 121  | 118  | 116  | 114  | 114  | 107  | 20         |
| 22         | 111  | 109  | 107  | 105  | 103  | 102  | 99.4 | 22         |
| 24         | 101  | 99.5 | 97.7 | 96.8 | 96   | 93.2 | 92.9 | 24         |
| 26         | 92.3 | 90.6 | 89   | 88.3 | 87.6 | 86.1 | 85.8 | 26         |
| 28         | 84.6 | 83   | 83.3 | 80.9 | 80.2 | 80.8 | 79.8 | 28         |
| 30         | 77.9 | 76.4 | 76.7 | 74.4 | 73.7 | 74.5 | 72.8 | 30         |
| 32         | 72   | 70.6 | 70.8 | 68.5 | 67.9 | 68.6 | 67   | 32         |
| 34         | 66.7 | 65.4 | 65.5 | 63.4 | 62.7 | 63.2 | 61.8 | 34         |
| 36         | 61.9 | 60.6 | 60.6 | 58   | 56.8 | 58.5 | 56.5 | 36         |
| 38         | 57.6 | 56.4 | 56.3 | 53.8 | 52.6 | 53   | 50.8 | 38         |
| 40         | 53.7 | 52.5 | 52.3 | 50   | 48.8 | 47.5 | 46.5 | 40         |
| 44         | 46.8 | 45.7 | 44.5 | 43.3 | 42.2 | 40.6 | 40   | 44         |
| 48         | 41   | 39.9 | 38.8 | 37.7 | 36.5 | 35.1 | 34.5 | 48         |
| 52         | 36   | 34.9 | 33.9 | 32.7 | 31.7 | 30.3 | 29.8 | 52         |
| 56         | 31.7 | 30.6 | 29.6 | 28.6 | 27.5 | 26.1 | 25.7 | 56         |
| 60         | 27.7 | 26.9 | 25.9 | 24.8 | 23.8 | 22.4 | 22.1 | 60         |
| 64         | 24.2 | 23.5 | 22.6 | 21.5 | 20.6 | 19.2 | 18.9 | 64         |
| 68         | 21.1 | 20.5 | 19.6 | 18.6 | 17.6 | 16.4 | 15.7 | 68         |
| 72         | 18.4 | 17.7 | 17   | 15.9 | 15   | 13.8 | 13.1 | 72         |
| 76         | 16   | 15.3 | 14.6 | 13.6 | 12.6 | 11.5 | 10.9 | 76         |
| 80         | 13.8 | 13   | 12.4 | 11.4 | 10.5 | 9.4  | 8.8  | 80         |
| 84         | 11.7 | 11.1 | 10.4 | 9.5  | 8.6  | 7.5  | 6.9  | 84         |
| 88         |      | 9.2  | 8.6  | 7.6  | 6.7  | 5.6  | 5.2  | 88         |

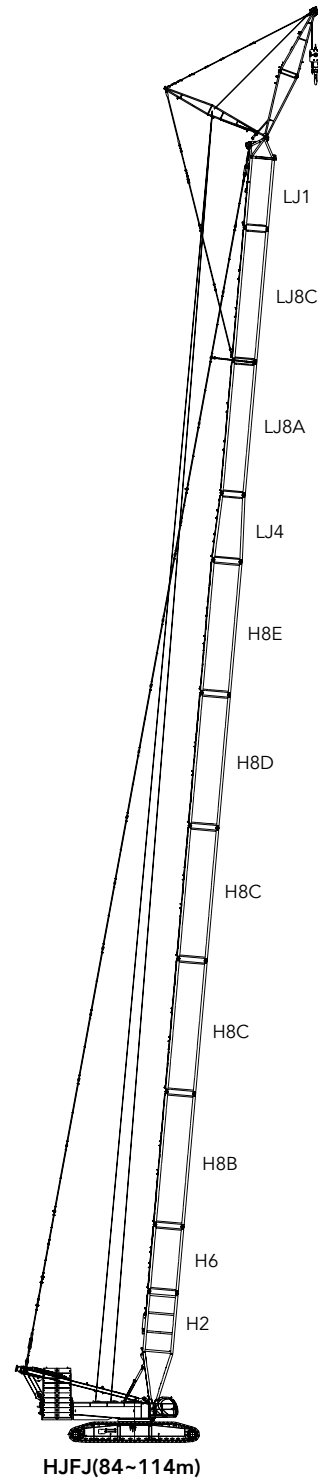
Notes: HJFJ102+12 working condition boom (rear counterweight 230t and center counterweight 40t).



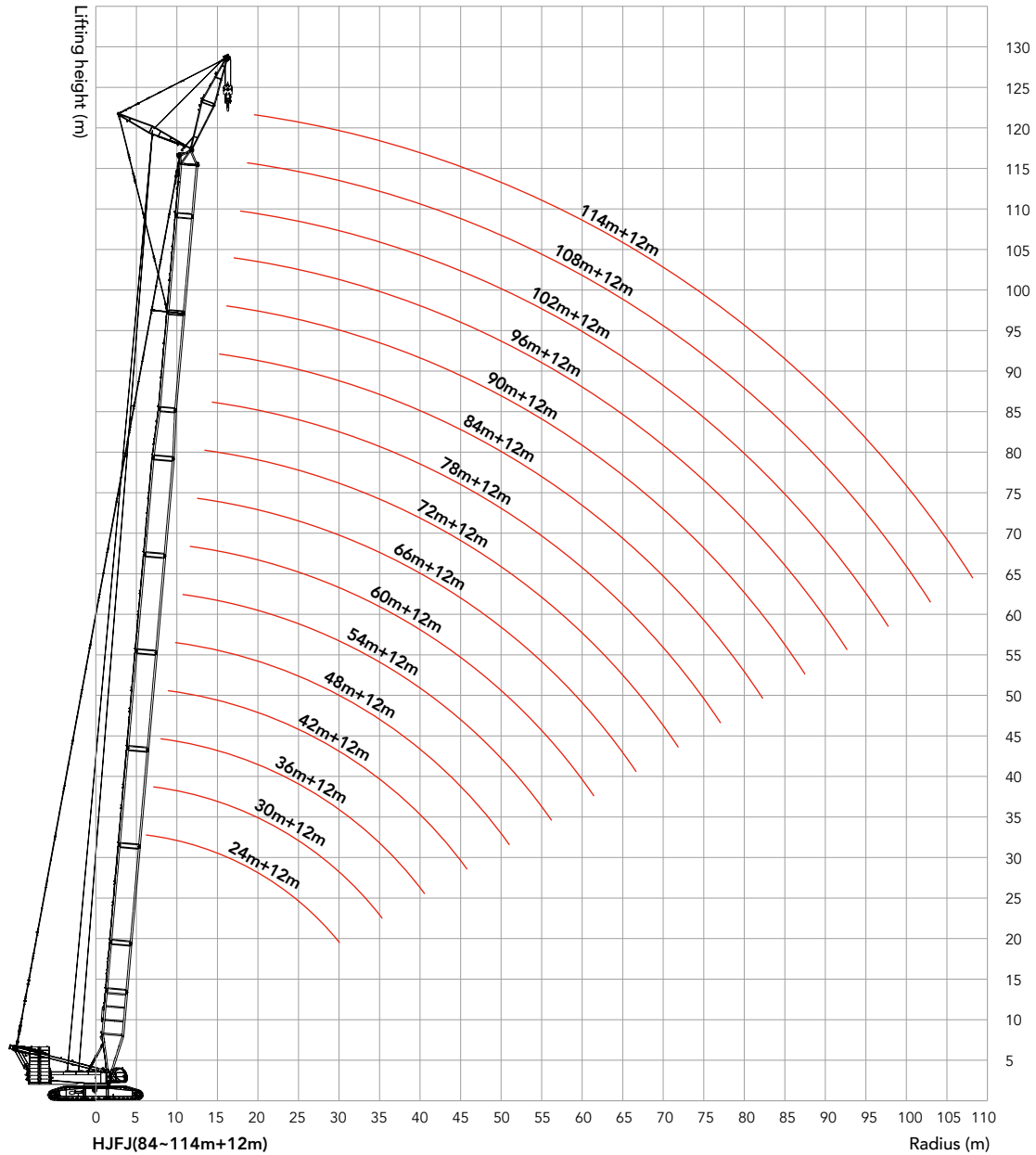
## HJFJ Boom Combination

| HJFJ Boom Combination |             |     |            |               |
|-----------------------|-------------|-----|------------|---------------|
| Boom length (m)       | Boom insert |     | Jib insert | Fixed jib 12m |
|                       | 6m          | 12m | 12m        |               |
| 84                    | -           | 4   | 1          | Fixed jib 12m |
| 90*                   | 1           | 4   | 1          |               |
| 96*                   | -           | 4   | 2          |               |
| 102*                  | 1           | 4   | 2          |               |
| 108*                  | -           | 5   | 2          |               |
| 114*                  | 1           | 5   | 2          |               |

Notes: The 10.5m boom base, 6m tapered insert, 7.5m jib top are must.  
The mid-point suspension cable must be used for boom length with \*; otherwise, there is danger of boom breaking.



### HJFJ Work Radius



Unit: t

## Load Chart of HJFJ Configuration

| SCC6500A Crawler Crane - Load Chart of HJFJ Configuration 1/3                                                                                                    |      |      |      |      |      |      |            |
|------------------------------------------------------------------------------------------------------------------------------------------------------------------|------|------|------|------|------|------|------------|
| Main boom length ranges 84m - 114m, auxiliary boom 12m, main and auxiliary boom included angle is 10° , rear counterweight is 210t, central counterweight is 60t |      |      |      |      |      |      |            |
| Radius (m)                                                                                                                                                       | 84   | 90   | 96   | 102  | 108  | 114  | Radius (m) |
| 13                                                                                                                                                               | 158  |      |      |      |      |      |            |
| 14                                                                                                                                                               | 156  | 148  | 136  |      |      |      | 14         |
| 15                                                                                                                                                               | 155  | 144  | 134  | 118  | 109  |      | 15         |
| 16                                                                                                                                                               | 152  | 140  | 130  | 116  | 108  | 93.5 | 16         |
| 17                                                                                                                                                               | 146  | 133  | 125  | 114  | 107  | 92.5 | 17         |
| 18                                                                                                                                                               | 137  | 127  | 120  | 111  | 105  | 91.5 | 18         |
| 19                                                                                                                                                               | 128  | 120  | 114  | 107  | 102  | 89.5 | 19         |
| 20                                                                                                                                                               | 119  | 113  | 107  | 103  | 98.4 | 88   | 20         |
| 22                                                                                                                                                               | 106  | 99.3 | 96.8 | 92.1 | 88.4 | 83.5 | 22         |
| 24                                                                                                                                                               | 96.6 | 91   | 88.3 | 84.4 | 81   | 77.4 | 24         |
| 26                                                                                                                                                               | 88.2 | 83.7 | 81.3 | 77.7 | 74.5 | 71.1 | 26         |
| 28                                                                                                                                                               | 80.9 | 77.3 | 75.1 | 71.6 | 68.7 | 65.4 | 28         |
| 30                                                                                                                                                               | 74.9 | 71.5 | 69.5 | 66.3 | 63.5 | 60.4 | 30         |
| 32                                                                                                                                                               | 69.6 | 66.4 | 64.5 | 61.4 | 58.8 | 55.8 | 32         |
| 34                                                                                                                                                               | 64.8 | 61.7 | 60   | 57   | 54.5 | 51.6 | 34         |
| 36                                                                                                                                                               | 60.5 | 57.5 | 55.9 | 53   | 50.6 | 47.8 | 36         |
| 38                                                                                                                                                               | 56.6 | 53.7 | 52.2 | 49.4 | 47.1 | 44.4 | 38         |
| 40                                                                                                                                                               | 52.9 | 50.1 | 48.7 | 46.0 | 43.8 | 41.2 | 40         |
| 44                                                                                                                                                               | 46.6 | 43.9 | 42.7 | 40.1 | 38.0 | 35.5 | 44         |
| 48                                                                                                                                                               | 41.2 | 38.6 | 37.5 | 35.0 | 33.0 | 30.6 | 48         |
| 52                                                                                                                                                               | 36.5 | 34.0 | 33.0 | 30.6 | 28.7 | 26.4 | 52         |
| 56                                                                                                                                                               | 32.4 | 30.0 | 29.1 | 26.8 | 24.9 | 22.6 | 56         |
| 60                                                                                                                                                               | 28.9 | 26.5 | 25.6 | 23.3 | 21.6 | 19.3 | 60         |
| 64                                                                                                                                                               | 25.7 | 23.4 | 22.5 | 20.3 | 18.6 | 16.4 | 64         |
| 68                                                                                                                                                               | 22.8 | 20.6 | 19.8 | 17.6 | 15.9 | 13.7 | 68         |
| 72                                                                                                                                                               | 20.3 | 18.1 | 17.3 | 15.1 | 13.5 | 11.4 | 72         |
| 76                                                                                                                                                               | 18.0 | 15.8 | 15.1 | 12.9 | 11.3 | 7.1  | 76         |
| 80                                                                                                                                                               | 15.9 | 13.7 | 13.0 | 10.9 | 9.3  |      | 80         |
| 84                                                                                                                                                               | 14.0 | 11.8 | 11.2 | 9.1  | 5.6  |      | 84         |

Notes: HJFJ114+12 working condition boom (rear counterweight 230t and center counterweight 40t).

## Load Chart of HJFJ Configuration

### SCC6500A Crawler Crane - Load Chart of HJFJ Configuration 2/3

Main boom length ranges 84m - 114m, auxiliary boom 12m, main and auxiliary boom included angle is 15° , rear counterweight is 210t, central counterweight is 60t

| Radius (m) | 84   | 90   | 96   | 102  | 108  | 114  | Radius (m) |
|------------|------|------|------|------|------|------|------------|
| 14         | 154  | 138  |      |      |      |      | 14         |
| 15         | 150  | 136  | 132  |      |      |      | 15         |
| 16         | 140  | 134  | 130  | 118  | 106  |      | 16         |
| 17         | 132  | 129  | 125  | 115  | 105  | 89.5 | 17         |
| 18         | 126  | 122  | 117  | 112  | 104  | 88.5 | 18         |
| 19         | 120  | 116  | 111  | 107  | 101  | 87.5 | 19         |
| 20         | 115  | 110  | 106  | 102  | 98   | 86.5 | 20         |
| 22         | 105  | 100  | 97.2 | 93.1 | 89.5 | 83.6 | 22         |
| 24         | 95.9 | 91.9 | 89.2 | 85.4 | 82   | 78.4 | 24         |
| 26         | 88.3 | 84.6 | 82.1 | 78.5 | 75.4 | 72   | 26         |
| 28         | 81.6 | 78   | 75.8 | 72.5 | 69.6 | 66.3 | 28         |
| 30         | 75.6 | 72.3 | 70.2 | 67   | 64.3 | 61.2 | 30         |
| 32         | 70.3 | 67.1 | 65.2 | 62.1 | 59.5 | 56.6 | 32         |
| 34         | 65.4 | 62.4 | 60.6 | 57.7 | 55.2 | 52.3 | 34         |
| 36         | 61.1 | 58.1 | 56.5 | 53.7 | 51.3 | 48.5 | 36         |
| 38         | 57.1 | 54.2 | 52.7 | 50   | 47.7 | 45   | 38         |
| 40         | 53.4 | 50.7 | 49.3 | 46.6 | 44.4 | 41.8 | 40         |
| 44         | 47   | 44.4 | 43.2 | 40.6 | 38.6 | 36.1 | 44         |
| 48         | 41.6 | 39   | 37.9 | 35.5 | 33.5 | 31.1 | 48         |
| 52         | 36.9 | 34.4 | 33.4 | 31   | 29.2 | 26.8 | 52         |
| 56         | 32.7 | 30.4 | 29.4 | 27.1 | 25.3 | 23.1 | 56         |
| 60         | 29.1 | 26.8 | 25.9 | 23.7 | 21.9 | 19.7 | 60         |
| 64         | 25.9 | 23.6 | 22.8 | 20.6 | 18.9 | 16.7 | 64         |
| 68         | 23   | 20.8 | 20   | 17.9 | 16.2 | 14.1 | 68         |
| 72         | 20.5 | 18.3 | 17.5 | 15.4 | 13.8 | 11.7 | 72         |
| 76         | 18.1 | 16   | 15.3 | 13.1 | 11.5 | 7.9  | 76         |
| 80         | 16   | 13.9 | 13.2 | 11.1 | 9.5  |      | 80         |
| 84         | 14.1 | 12   | 11.3 | 9.2  | 6.4  |      | 84         |

Notes: HJFJ114+12 working condition boom (rear counterweight 230t and center counterweight 40t).

Unit: t

## Load Chart of HJFJ Configuration

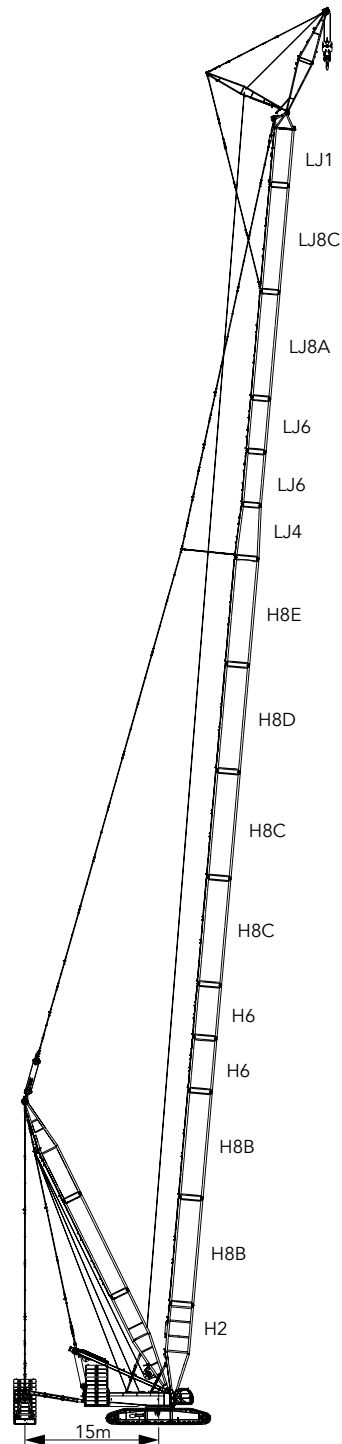
| SCC6500A Crawler Crane - Load Chart of HJFJ Configuration 3/3                                                                                                   |      |      |      |      |      |      |            |
|-----------------------------------------------------------------------------------------------------------------------------------------------------------------|------|------|------|------|------|------|------------|
| Main boom length ranges 84m - 114m, auxiliary boom 12m, main and auxiliary boom included angle is 20°, rear counterweight is 210t, central counterweight is 60t |      |      |      |      |      |      |            |
| Radius (m)                                                                                                                                                      | 84   | 90   | 96   | 102  | 108  | 114  | Radius (m) |
| 15                                                                                                                                                              | 124  | 122  |      |      |      |      | 15         |
| 16                                                                                                                                                              | 123  | 120  | 116  | 112  |      |      | 16         |
| 17                                                                                                                                                              | 121  | 118  | 114  | 111  | 103  | 85   | 17         |
| 18                                                                                                                                                              | 119  | 115  | 111  | 109  | 102  | 84   | 18         |
| 19                                                                                                                                                              | 117  | 112  | 108  | 106  | 101  | 83   | 19         |
| 20                                                                                                                                                              | 114  | 109  | 105  | 103  | 99.1 | 82   | 20         |
| 22                                                                                                                                                              | 106  | 101  | 98.2 | 94.1 | 90.5 | 79.3 | 22         |
| 24                                                                                                                                                              | 96.8 | 92.8 | 90.1 | 86.3 | 83   | 76.7 | 24         |
| 26                                                                                                                                                              | 89.1 | 85.4 | 83   | 79.4 | 76.3 | 72.9 | 26         |
| 28                                                                                                                                                              | 82.3 | 78.8 | 76.6 | 73.3 | 70.4 | 67.2 | 28         |
| 30                                                                                                                                                              | 76.3 | 73   | 71   | 67.8 | 65.1 | 62   | 30         |
| 32                                                                                                                                                              | 70.9 | 67.7 | 65.9 | 62.8 | 60.3 | 57.3 | 32         |
| 34                                                                                                                                                              | 66   | 63   | 61.3 | 58.4 | 55.9 | 53.1 | 34         |
| 36                                                                                                                                                              | 61.6 | 58.7 | 57.1 | 54.3 | 51.9 | 49.2 | 36         |
| 38                                                                                                                                                              | 57.6 | 54.8 | 53.3 | 50.6 | 48.3 | 45.6 | 38         |
| 40                                                                                                                                                              | 53.9 | 51.2 | 49.8 | 47.2 | 45.0 | 42.4 | 40         |
| 44                                                                                                                                                              | 47.5 | 44.9 | 43.6 | 41.1 | 39.1 | 36.6 | 44         |
| 48                                                                                                                                                              | 42.0 | 39.5 | 38.3 | 35.9 | 34.0 | 31.6 | 48         |
| 52                                                                                                                                                              | 37.2 | 34.8 | 33.8 | 31.4 | 29.6 | 27.3 | 52         |
| 56                                                                                                                                                              | 33.0 | 30.7 | 29.8 | 27.5 | 25.7 | 23.5 | 56         |
| 60                                                                                                                                                              | 29.4 | 27.1 | 26.2 | 24.0 | 22.3 | 20.1 | 60         |
| 64                                                                                                                                                              | 26.1 | 23.9 | 23.1 | 20.9 | 19.2 | 17.1 | 64         |
| 68                                                                                                                                                              | 23.2 | 21.0 | 20.3 | 18.1 | 16.5 | 14.4 | 68         |
| 72                                                                                                                                                              | 20.6 | 18.5 | 17.7 | 15.6 | 14.0 | 11.9 | 72         |
| 76                                                                                                                                                              | 18.3 | 16.1 | 15.4 | 13.4 | 11.8 | 8.8  | 76         |
| 80                                                                                                                                                              | 16.1 | 14.0 | 13.4 | 11.3 | 9.7  | 4.5  | 80         |
| 84                                                                                                                                                              | 14.2 | 12.1 | 11.4 | 9.4  | 7.2  |      | 84         |

Notes: HJFJ114+12 working condition boom (rear counterweight 230t and center counterweight 40t).

## HJFJDB Boom Combination

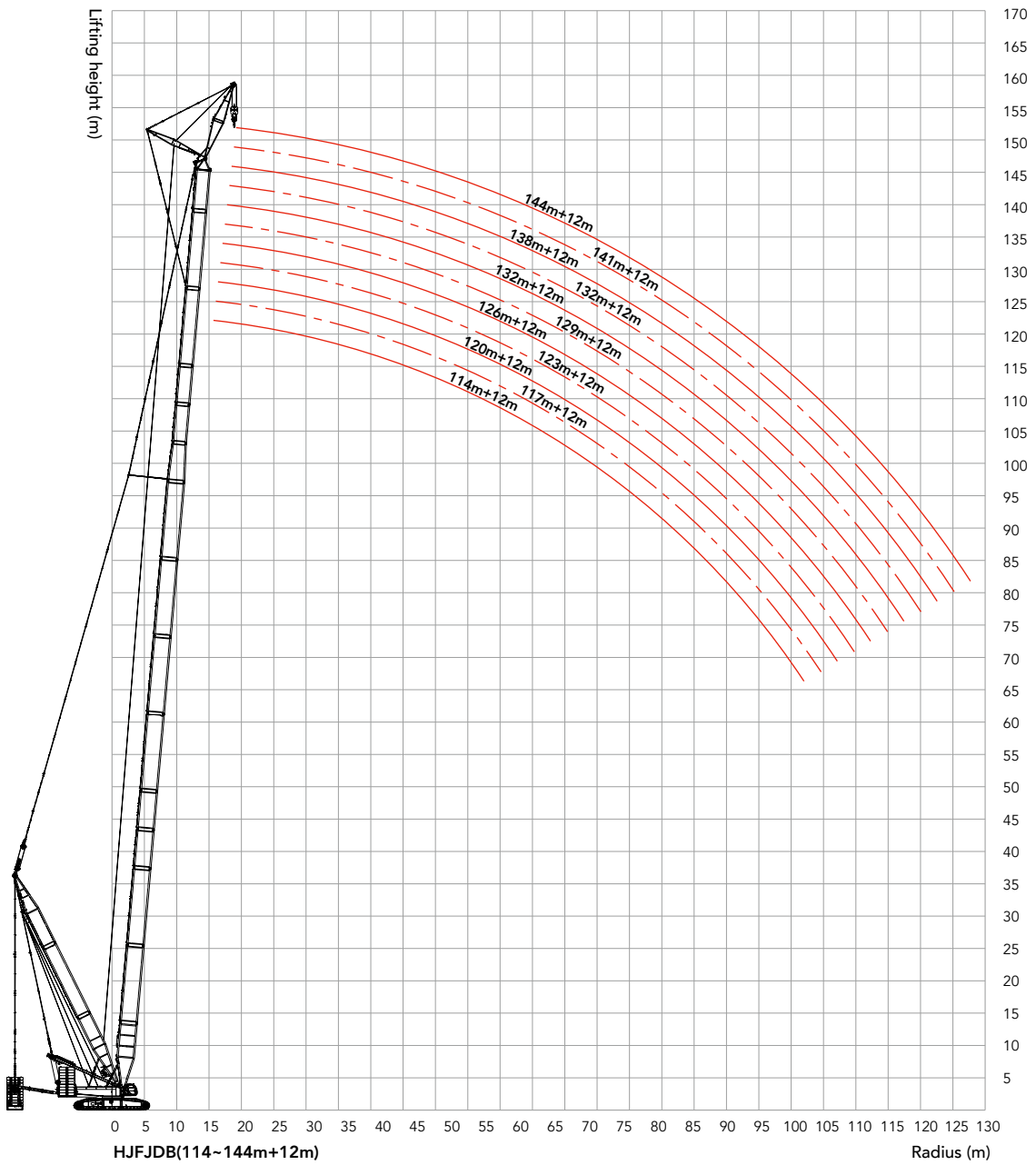
| HJFJDB Boom Combination |             |    |     |            |     |               |
|-------------------------|-------------|----|-----|------------|-----|---------------|
| Boom length (m)         | Boom insert |    |     | Jib insert |     |               |
|                         | 3m          | 6m | 12m | 6m         | 12m |               |
| 114*                    | —           | 1  | 5   | —          | 2   | Fixed jib 12m |
| 117*                    | 1           | 1  | 5   | —          | 2   |               |
| 120*                    | —           | 2  | 5   | —          | 2   |               |
| 123*                    | 1           | 2  | 5   | —          | 2   |               |
| 126*                    | —           | 1  | 6   | —          | 2   |               |
| 129*                    | 1           | 1  | 6   | —          | 2   |               |
| 132*                    | —           | 2  | 6   | —          | 2   |               |
| 135*                    | 1           | 2  | 6   | —          | 2   |               |
| 138*                    | —           | 2  | 6   | 1          | 2   |               |
| 141*                    | 1           | 2  | 6   | 1          | 2   |               |
| 144*                    | —           | 2  | 6   | 2          | 2   |               |

Notes: main boom base 10.5m, 6m tapered section, 7.5m jib top are must. In the jib configuration: jib base, 6m tapered section and jib upper boom are must. The mid-point suspension cable must be used for all boom length from 114m – 144m, otherwise, there is danger of boom breaking.



HJFJDB(114~144m+12m)

**HJFJDB Work Radius**



## Load Chart of HJFJDB Configuration

### SCC6500A Crawler Crane —Load Chart of HJFJDB Configuration 1/3

The main boom length ranges 114 - 144m, the auxiliary boom length is 12m, the main and auxiliary boom included angle is 10°, the overload lifting radius is 19m, overload lifting counterweight is 0~310t, the rear counterweight is 210t, the center counterweight is 60t

| Radius (m) | 114  | 117  | 120  | 123  | 126  | 129  | 132  | 135  | 138  | 141  | 144  | Radius (m) |
|------------|------|------|------|------|------|------|------|------|------|------|------|------------|
| 15         | 124  |      |      |      |      |      |      |      |      |      |      | 15         |
| 16         | 124  | 117  | 109  | 106  |      |      |      |      |      |      |      | 16         |
| 17         | 124  | 117  | 109  | 106  | 101  | 97.2 | 93.0 | 88.1 |      |      |      | 17         |
| 18         | 124  | 117  | 109  | 106  | 101  | 97.5 | 92.9 | 88.0 | 82.0 | 77.7 | 72.4 | 18         |
| 19         | 124  | 117  | 109  | 105  | 100  | 97.2 | 92.6 | 87.9 | 81.7 | 77.6 | 72.1 | 19         |
| 20         | 124  | 116  | 109  | 105  | 100  | 97.0 | 92.4 | 87.8 | 81.5 | 77.6 | 72.0 | 20         |
| 22         | 123  | 116  | 109  | 105  | 100  | 96.5 | 92.2 | 87.7 | 81.4 | 77.5 | 71.7 | 22         |
| 24         | 123  | 115  | 108  | 104  | 99.5 | 96.1 | 92.1 | 87.4 | 81.0 | 77.2 | 71.2 | 24         |
| 26         | 123  | 115  | 108  | 103  | 98.8 | 95.5 | 91.9 | 87.0 | 80.8 | 76.9 | 70.9 | 26         |
| 28         | 123  | 114  | 107  | 102  | 97.6 | 94.5 | 91.4 | 86.3 | 80.6 | 76.4 | 70.6 | 28         |
| 30         | 122  | 113  | 106  | 101  | 96.3 | 93.4 | 90.5 | 85.5 | 80.3 | 76.0 | 70.4 | 30         |
| 32         | 120  | 112  | 105  | 99.9 | 94.8 | 92.2 | 89.6 | 84.9 | 80.1 | 75.7 | 70.0 | 32         |
| 34         | 119  | 110  | 103  | 98.2 | 93.3 | 90.9 | 88.5 | 84.0 | 79.4 | 75.3 | 69.7 | 34         |
| 36         | 117  | 108  | 101  | 96.5 | 91.9 | 89.5 | 87.0 | 82.6 | 78.1 | 74.5 | 69.4 | 36         |
| 38         | 115  | 106  | 99.4 | 94.8 | 90.1 | 87.8 | 85.4 | 81.1 | 76.8 | 73.6 | 69.1 | 38         |
| 40         | 113  | 104  | 97.3 | 92.6 | 87.9 | 85.8 | 83.7 | 79.6 | 75.4 | 72.6 | 68.8 | 40         |
| 44         | 108  | 101  | 94.2 | 89.4 | 84.6 | 82.7 | 80.8 | 76.9 | 72.9 | 70.8 | 68.2 | 44         |
| 48         | 102  | 96.5 | 91.1 | 86.1 | 81.0 | 79.4 | 77.7 | 73.9 | 70.1 | 68.5 | 66.9 | 48         |
| 52         | 96.1 | 91.4 | 86.8 | 81.9 | 77.0 | 75.4 | 73.7 | 70.3 | 66.8 | 65.7 | 64.5 | 52         |
| 56         | 90.5 | 86.5 | 83.1 | 78.2 | 73.2 | 71.3 | 69.4 | 66.4 | 63.4 | 62.6 | 61.8 | 56         |
| 60         | 85.1 | 81.6 | 78.8 | 74.3 | 69.8 | 67.6 | 65.4 | 62.5 | 59.6 | 59.5 | 59.3 | 60         |
| 64         | 80.2 | 77.3 | 74.8 | 70.8 | 66.7 | 64.3 | 61.9 | 59.3 | 56.7 | 56.5 | 56.2 | 64         |
| 68         | 75.4 | 73.1 | 71.0 | 67.8 | 64.5 | 61.9 | 59.2 | 56.6 | 53.9 | 53.4 | 52.9 | 68         |
| 72         | 72.0 | 70.1 | 68.3 | 65.0 | 61.7 | 59.0 | 56.2 | 53.9 | 51.6 | 50.8 | 45.5 | 72         |
| 76         | 69.5 | 67.5 | 65.7 | 62.4 | 59.1 | 56.7 | 54.2 | 52.1 | 50.0 | 48.9 | 37.7 | 76         |
| 80         | 67.7 | 65.4 | 63.4 | 60.1 | 56.8 | 54.6 | 52.4 | 50.6 | 48.7 | 47.4 | 30.4 | 80         |
| 84         | 65.7 | 63.2 | 61.5 | 58.2 | 54.8 | 53.1 | 51.4 | 49.5 | 47.6 | 41.2 | 23.5 | 84         |
| 88         | 63.8 | 61.5 | 59.3 | 56.0 | 52.7 | 51.7 | 50.6 | 48.6 | 45.2 | 34.2 | 17.1 | 88         |
| 92         | 62.3 | 59.9 | 58.0 | 54.7 | 51.4 | 50.3 | 49.2 | 47.2 | 37.0 | 26.9 | 11.1 | 92         |
| 96         | 60.9 | 59.0 | 57.1 | 53.6 | 50.0 | 48.8 | 47.5 | 45.7 | 29.3 | 20.0 |      | 96         |
| 100        | 59.6 | 57.6 | 55.7 | 52.2 | 48.6 | 47.3 | 46.0 | 44.3 | 22.0 | 13.4 |      | 100        |
| 104        | 57.4 | 55.5 | 53.8 | 50.5 | 47.2 | 45.8 | 44.3 | 39.9 | 15.1 | 7.1  |      | 104        |



Unit: t

## Load Chart of HJFJDB Configuration

### SCC6500A Crawler Crane —Load Chart of HJFJDB Configuration 2/3

The main boom length ranges 114 - 144m, the auxiliary boom length is 12m, the main and auxiliary boom included angle is 15°, the overload lifting radius is 19m, overload lifting counterweight is 0~310t, the rear counterweight is 210t, the center counterweight is 60t

| Radius (m) | 114  | 117  | 120  | 123  | 126  | 129  | 132  | 135  | 138  | 141  | 144  | Radius (m) |
|------------|------|------|------|------|------|------|------|------|------|------|------|------------|
| 16         | 121  |      |      |      |      |      |      |      |      |      |      | 16         |
| 17         | 121  | 114  | 108  | 103  |      |      |      |      |      |      |      | 17         |
| 18         | 121  | 114  | 108  | 103  | 99.5 | 94.6 | 91.9 | 85.2 |      |      |      | 18         |
| 19         | 121  | 114  | 108  | 103  | 99.5 | 94.6 | 91.9 | 85.1 | 80.0 | 74.8 | 71.4 | 19         |
| 20         | 121  | 114  | 107  | 102  | 99.3 | 94.6 | 91.6 | 85.0 | 80.0 | 74.8 | 71.4 | 20         |
| 22         | 121  | 114  | 107  | 102  | 98.9 | 94.3 | 91.6 | 84.9 | 80.0 | 74.8 | 71.4 | 22         |
| 24         | 121  | 114  | 107  | 102  | 98.5 | 94.0 | 91.5 | 84.8 | 80.0 | 74.7 | 71.2 | 24         |
| 26         | 121  | 113  | 106  | 101  | 98.0 | 93.5 | 91.2 | 84.6 | 80.0 | 74.5 | 70.8 | 26         |
| 28         | 120  | 112  | 105  | 100  | 97.5 | 92.9 | 90.5 | 84.2 | 80.0 | 74.3 | 70.4 | 28         |
| 30         | 119  | 111  | 104  | 99.1 | 96.2 | 91.8 | 89.7 | 83.6 | 79.5 | 74.1 | 70.4 | 30         |
| 32         | 118  | 110  | 103  | 98.2 | 95.0 | 90.2 | 88.8 | 83.0 | 79.2 | 73.7 | 70.0 | 32         |
| 34         | 117  | 109  | 102  | 96.8 | 93.5 | 88.8 | 87.7 | 82.2 | 78.6 | 73.3 | 69.7 | 34         |
| 36         | 115  | 107  | 100  | 95.1 | 92.0 | 87.4 | 86.3 | 80.9 | 77.4 | 72.5 | 69.3 | 36         |
| 38         | 113  | 105  | 98.5 | 93.6 | 90.6 | 85.9 | 84.7 | 79.5 | 76.2 | 71.5 | 68.5 | 38         |
| 40         | 111  | 103  | 96.4 | 92.1 | 89.4 | 84.5 | 83.0 | 78.0 | 74.9 | 70.5 | 67.8 | 40         |
| 44         | 106  | 99.2 | 93.4 | 88.8 | 85.9 | 81.4 | 80.2 | 75.4 | 72.5 | 68.7 | 66.5 | 44         |
| 48         | 100  | 94.7 | 90.3 | 85.5 | 83.3 | 78.6 | 77.1 | 72.6 | 69.8 | 66.5 | 64.8 | 48         |
| 52         | 94.5 | 89.2 | 86.1 | 81.3 | 79.8 | 74.9 | 73.1 | 69.0 | 66.6 | 63.8 | 62.5 | 52         |
| 56         | 89.1 | 84.7 | 82.4 | 77.6 | 75.9 | 71.0 | 68.9 | 64.8 | 63.3 | 60.9 | 59.9 | 56         |
| 60         | 84.0 | 80.1 | 78.2 | 73.7 | 72.2 | 67.2 | 64.9 | 61.0 | 59.6 | 57.4 | 57.5 | 60         |
| 64         | 79.2 | 75.8 | 74.2 | 70.1 | 68.9 | 63.8 | 61.4 | 57.9 | 56.7 | 54.6 | 54.7 | 64         |
| 68         | 74.5 | 71.6 | 70.5 | 66.8 | 65.9 | 61.1 | 58.7 | 55.2 | 53.9 | 51.7 | 51.7 | 68         |
| 72         | 71.2 | 68.7 | 67.9 | 64.5 | 63.8 | 58.6 | 55.8 | 52.6 | 51.6 | 49.3 | 49.0 | 72         |
| 76         | 68.8 | 66.3 | 65.4 | 62.1 | 61.1 | 56.4 | 53.9 | 50.9 | 50.0 | 47.6 | 42.9 | 76         |
| 80         | 67.1 | 64.4 | 63.2 | 59.7 | 58.6 | 54.3 | 52.2 | 49.4 | 48.7 | 46.2 | 35.4 | 80         |
| 84         | 65.2 | 62.5 | 61.4 | 57.7 | 56.4 | 52.8 | 51.3 | 48.5 | 47.6 | 45.0 | 27.2 | 84         |
| 88         | 63.4 | 60.6 | 59.3 | 55.8 | 54.5 | 51.5 | 50.6 | 47.6 | 46.5 | 38.3 | 19.5 | 88         |
| 92         | 62.0 | 59.3 | 58.0 | 54.1 | 52.5 | 49.8 | 49.2 | 46.3 | 42.7 | 30.8 | 12.3 | 92         |
| 96         | 60.7 | 58.2 | 57.1 | 53.1 | 51.3 | 48.4 | 47.5 | 44.8 | 33.4 | 22.5 | 6.5  | 96         |
| 100        | 59.5 | 56.9 | 55.7 | 51.8 | 50.0 | 47.0 | 46.0 | 43.4 | 24.7 | 15.9 |      | 100        |
| 104        | 57.4 | 54.9 | 53.8 | 50.2 | 48.6 | 45.5 | 44.3 | 41.6 | 16.4 | 9.5  |      | 104        |

**Load Chart of HJFJDB Configuration****SCC6500A Crawler Crane —Load Chart of HJFJDB Configuration 3/3**

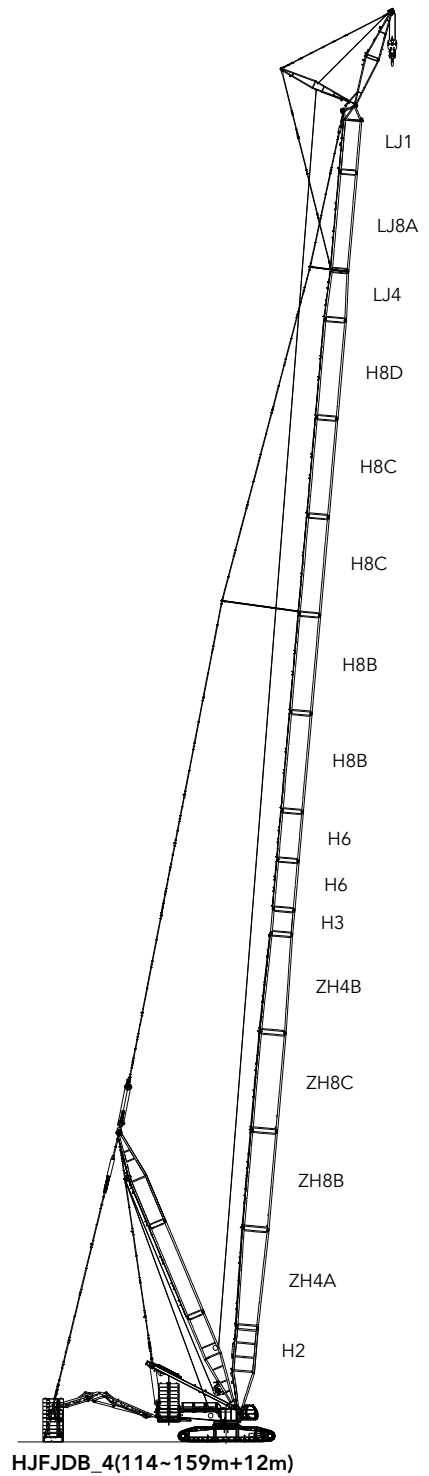
The main boom length ranges 114 - 144m, the auxiliary boom length is 12m, the main and auxiliary boom included angle is 20°, the overload lifting radius is 19m, overload lifting counterweight is 0~310t, the rear counterweight is 210t, the center counterweight is 60t

| Radius (m) | 114  | 117   | 120   | 123   | 126  | 129  | 132  | 135  | 138  | 141  | 144  | Radius (m) |
|------------|------|-------|-------|-------|------|------|------|------|------|------|------|------------|
| 17         | 118  |       |       |       |      |      |      |      |      |      |      | 17         |
| 18         | 118  | 110   | 105   | 101   |      |      |      |      |      |      |      | 18         |
| 19         | 118  | 110   | 105   | 101   | 98.2 | 94.1 | 90.5 | 84.1 |      |      |      | 19         |
| 20         | 118  | 110   | 105   | 101   | 98.2 | 93.8 | 90.5 | 84.1 | 79.3 | 74.4 | 70.3 | 20         |
| 22         | 118  | 110   | 105   | 101   | 97.7 | 93.8 | 90.5 | 83.9 | 79.1 | 74.2 | 70.1 | 22         |
| 24         | 118  | 110   | 104   | 100.0 | 97.6 | 93.1 | 90.0 | 83.6 | 78.8 | 73.9 | 69.7 | 24         |
| 26         | 117  | 109   | 103   | 99.2  | 97.5 | 92.4 | 89.1 | 83.0 | 78.6 | 73.6 | 69.3 | 26         |
| 28         | 116  | 108   | 102   | 98.1  | 96.2 | 91.2 | 88.1 | 82.2 | 78.0 | 73.3 | 69.3 | 28         |
| 30         | 115  | 107   | 101   | 97.0  | 95.0 | 90.3 | 87.4 | 81.5 | 77.3 | 72.7 | 68.9 | 30         |
| 32         | 114  | 106   | 100.0 | 95.5  | 93.0 | 88.9 | 86.6 | 80.7 | 76.4 | 72.2 | 68.7 | 32         |
| 34         | 112  | 104   | 98.5  | 94.3  | 92.0 | 87.9 | 85.6 | 79.6 | 75.3 | 71.4 | 68.3 | 34         |
| 36         | 110  | 102   | 96.8  | 92.5  | 90.0 | 86.3 | 84.3 | 78.4 | 74.1 | 70.4 | 67.5 | 36         |
| 38         | 108  | 100.0 | 94.9  | 90.7  | 88.4 | 84.8 | 82.9 | 77.2 | 73.0 | 69.6 | 66.8 | 38         |
| 40         | 106  | 98.6  | 93.2  | 89.2  | 87.0 | 83.4 | 81.4 | 75.8 | 71.8 | 68.5 | 65.8 | 40         |
| 44         | 102  | 95.0  | 89.9  | 85.7  | 83.3 | 80.2 | 78.8 | 73.5 | 69.6 | 66.6 | 64.2 | 44         |
| 48         | 97.0 | 91.1  | 87.0  | 82.1  | 80.5 | 76.6 | 75.8 | 70.1 | 67.3 | 64.4 | 62.2 | 48         |
| 52         | 92.0 | 85.8  | 83.0  | 78.5  | 77.2 | 73.1 | 71.9 | 66.8 | 64.5 | 61.2 | 60.3 | 52         |
| 56         | 87.1 | 81.6  | 79.5  | 75.0  | 73.5 | 69.2 | 67.8 | 63.4 | 61.6 | 58.7 | 58.1 | 56         |
| 60         | 82.2 | 77.3  | 75.5  | 71.3  | 70.0 | 65.6 | 63.9 | 59.7 | 58.0 | 55.9 | 56.1 | 60         |
| 64         | 77.6 | 73.3  | 71.9  | 68.0  | 66.9 | 62.4 | 60.5 | 56.7 | 55.2 | 53.4 | 53.7 | 64         |
| 68         | 73.1 | 69.4  | 68.6  | 65.0  | 64.1 | 59.8 | 57.9 | 54.1 | 52.5 | 50.7 | 50.9 | 68         |
| 72         | 70.0 | 66.8  | 66.4  | 63.0  | 62.2 | 57.5 | 55.1 | 51.6 | 50.3 | 48.3 | 48.3 | 72         |
| 76         | 67.8 | 64.6  | 64.1  | 60.7  | 59.7 | 55.4 | 53.3 | 50.1 | 48.9 | 46.7 | 46.5 | 76         |
| 80         | 66.3 | 62.9  | 62.1  | 58.6  | 57.4 | 53.5 | 51.7 | 48.8 | 47.8 | 45.5 | 40.5 | 80         |
| 84         | 64.6 | 61.3  | 60.5  | 56.8  | 55.4 | 52.1 | 50.9 | 47.9 | 46.9 | 44.4 | 30.9 | 84         |
| 88         | 63.0 | 59.6  | 58.6  | 55.0  | 53.7 | 51.0 | 50.3 | 47.2 | 46.0 | 43.4 | 23.0 | 88         |
| 92         | 61.8 | 58.5  | 57.5  | 53.6  | 51.9 | 49.4 | 49.0 | 46.0 | 44.8 | 34.9 | 14.6 | 92         |
| 96         | 60.7 | 57.6  | 56.8  | 52.8  | 50.9 | 48.2 | 47.4 | 44.6 | 37.6 | 26.4 | 7.6  | 96         |
| 100        | 59.5 | 56.4  | 55.6  | 51.6  | 49.8 | 46.9 | 46.0 | 43.3 | 28.7 | 18.4 |      | 100        |
| 104        | 57.4 | 54.5  | 53.8  | 50.2  | 48.6 | 45.5 | 44.3 | 41.5 | 19.0 | 10.7 |      | 104        |

## HJFJDB\_4 Boom Combination

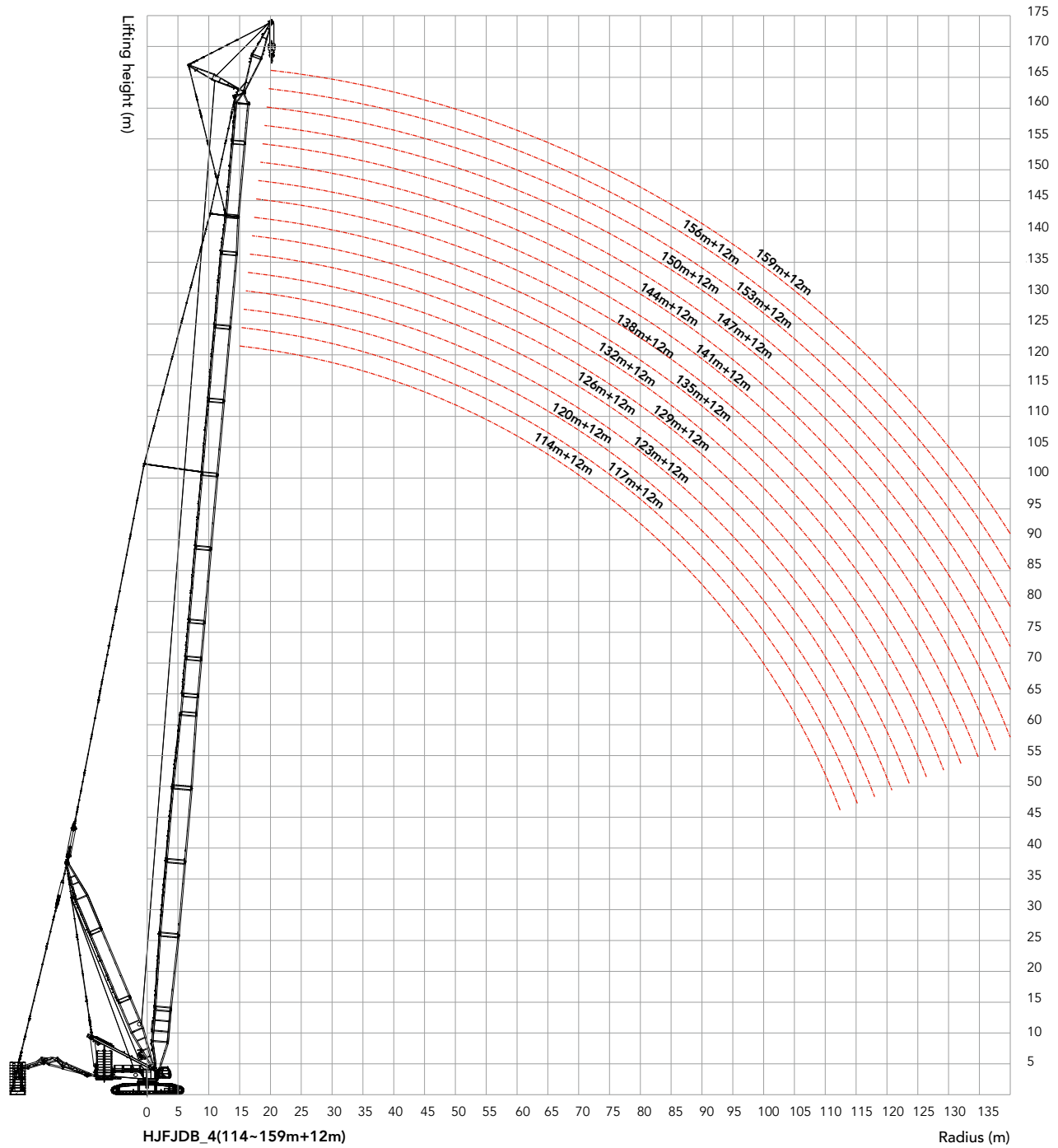
| HJFJDB_4 Boom Combination |            |             |    |     |               |
|---------------------------|------------|-------------|----|-----|---------------|
| Boom length (m)           | Power boom | Boom insert |    |     |               |
|                           | 12m        | 3m          | 6m | 12m |               |
| 114                       | 4          | -           | 1  | 2   | Fixed jib 12m |
| 117                       | 4          | 1           | 1  | 2   |               |
| 120                       | 4          | -           | 2  | 2   |               |
| 123                       | 4          | 1           | 2  | 2   |               |
| 126                       | 4          | -           | 1  | 3   |               |
| 129                       | 4          | 1           | 1  | 3   |               |
| 132                       | 4          | -           | 2  | 3   |               |
| 135                       | 4          | 1           | 2  | 3   |               |
| 138                       | 4          | -           | 1  | 4   |               |
| 141                       | 4          | 1           | 1  | 4   |               |
| 144                       | 4          | -           | 2  | 4   |               |
| 147                       | 4          | 1           | 2  | 4   |               |
| 150                       | 4          | -           | 1  | 5   |               |
| 153                       | 4          | 1           | 1  | 5   |               |
| 156                       | 4          | -           | 2  | 5   |               |
| 159                       | 4          | 1           | 2  | 5   |               |

Notes: The boom base, 6m tapered insert, 12m jib insert and jib top are must. The mid-point suspension cable must be used for all boom length from 114m ~165m; otherwise, there is danger of boom breaking.



HJFJDB\_4(114~159m+12m)

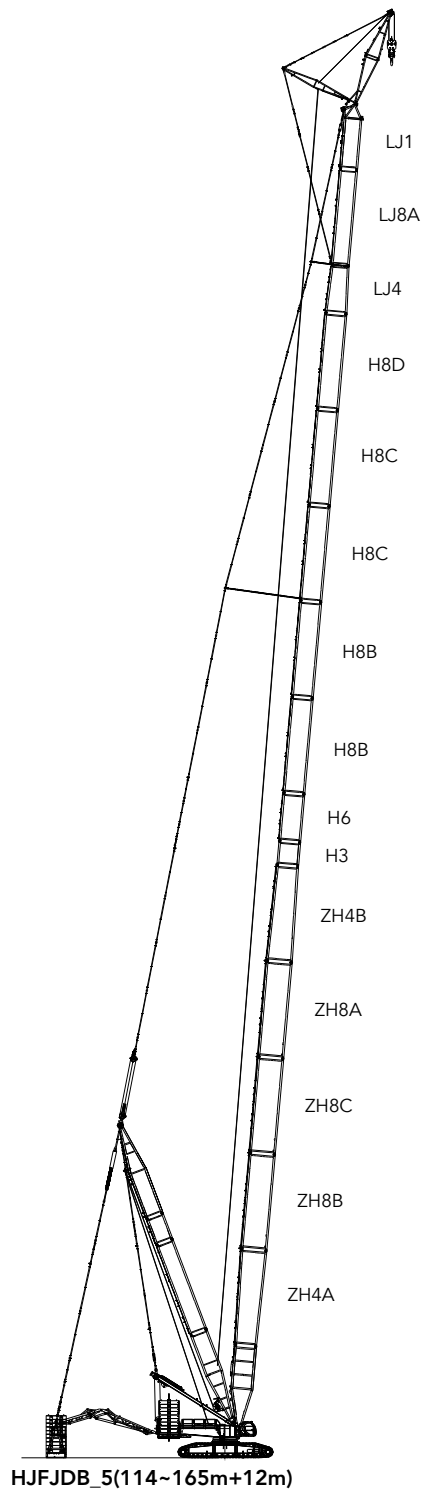
## HJFJDB\_4 Work Radius



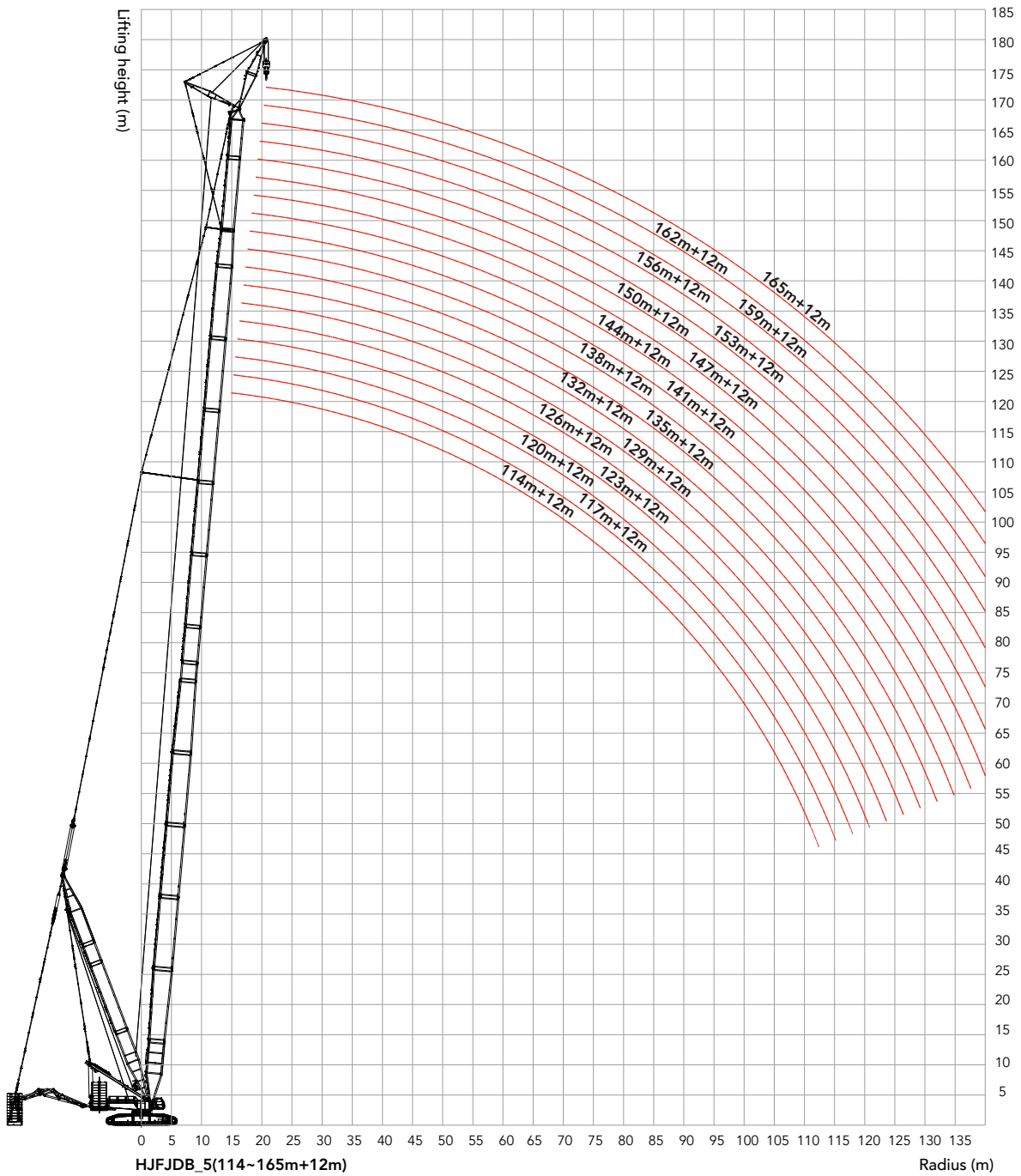
## HJFJDB\_5 Boom Combination

| HJFJDB_5 Boom Combination |            |             |    |    | Fixed jib<br>12m |
|---------------------------|------------|-------------|----|----|------------------|
| Boom length (m)           | Power boom | Boom insert |    |    |                  |
|                           |            | 12m         | 3m | 6m |                  |
| 114                       | 5          | -           | 1  | 1  |                  |
| 117                       | 5          | 1           | 1  | 1  |                  |
| 120                       | 5          | -           | 2  | 1  |                  |
| 123                       | 5          | 1           | 2  | 1  |                  |
| 126                       | 5          | -           | 1  | 2  |                  |
| 129                       | 5          | 1           | 1  | 2  |                  |
| 132                       | 5          | -           | 2  | 2  |                  |
| 135                       | 5          | 1           | 2  | 2  |                  |
| 138                       | 5          | -           | 1  | 3  |                  |
| 141                       | 5          | 1           | 1  | 3  |                  |
| 144                       | 5          | -           | 2  | 3  |                  |
| 147                       | 5          | 1           | 2  | 3  |                  |
| 150                       | 5          | -           | 1  | 4  |                  |
| 153                       | 5          | 1           | 1  | 4  |                  |
| 156                       | 5          | -           | 2  | 4  |                  |
| 159                       | 5          | 1           | 2  | 4  |                  |
| 162                       | 5          | -           | 1  | 5  |                  |
| 165                       | 5          | 1           | 1  | 5  |                  |

Notes: The boom base, 6m tapered insert, 12m jib insert and jib top are must. The mid-point suspension cable must be used for all boom length from 114m ~165m; otherwise, there is danger of boom breaking.



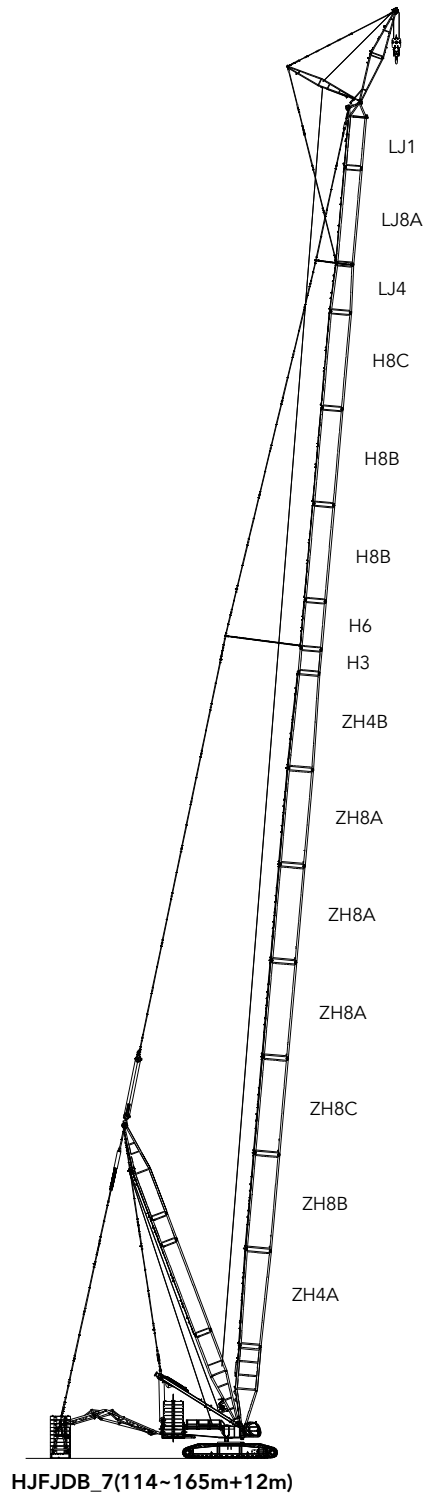
## HJFJDB\_5 Work Radius



## HJFJDB\_7 Boom Combination

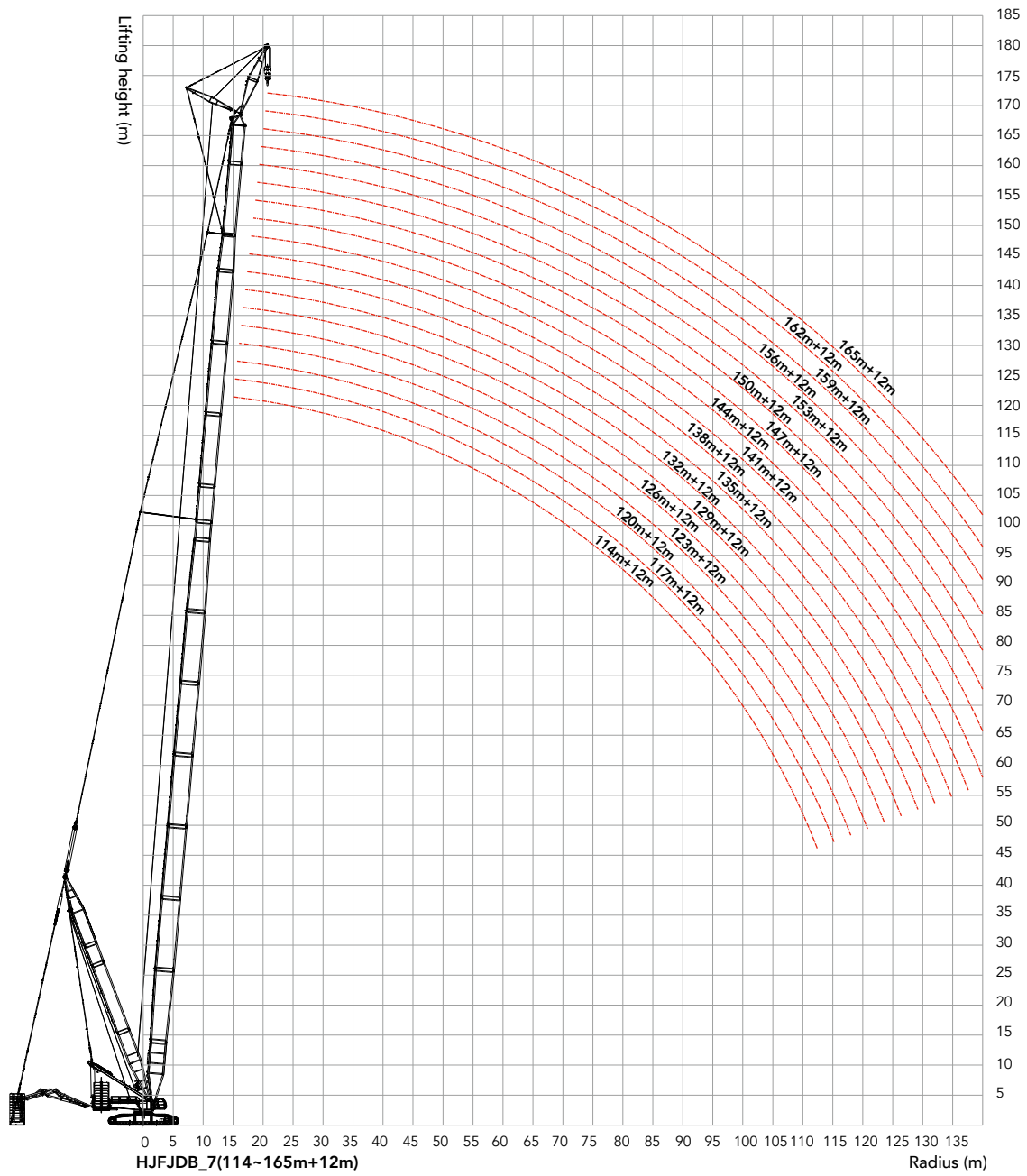
| HJFJDB_7 Boom Combination |            |             |    |    |                  |
|---------------------------|------------|-------------|----|----|------------------|
| Boom length (m)           | Power boom | Boom insert |    |    |                  |
|                           |            | 12m         | 3m | 6m |                  |
| 114                       | 6          | -           | 1  | -  | Fixed jib<br>12m |
| 117                       | 6          | 1           | 1  | -  |                  |
| 120                       | 6          | -           | 2  | -  |                  |
| 123                       | 6          | 1           | 2  | -  |                  |
| 126                       | 7          | -           | 1  | -  |                  |
| 129                       | 7          | 1           | 1  | -  |                  |
| 132                       | 7          | -           | 2  | -  |                  |
| 135                       | 7          | 1           | 2  | -  |                  |
| 138                       | 7          | -           | 1  | 1  |                  |
| 141                       | 7          | 1           | 1  | 1  |                  |
| 144                       | 7          | -           | 2  | 1  |                  |
| 147                       | 7          | 1           | 2  | 1  |                  |
| 150                       | 7          | -           | 1  | 2  |                  |
| 153                       | 7          | 1           | 1  | 2  |                  |
| 156                       | 7          | -           | 2  | 2  |                  |
| 159                       | 7          | 1           | 2  | 2  |                  |
| 162                       | 7          | -           | 1  | 3  |                  |
| 165                       | 7          | 1           | 1  | 3  |                  |

Notes: The boom base, 6m tapered insert, 12m jib insert and jib top are must. The mid-point suspension cable must be used for all boom length from 114m ~165m; otherwise, there is danger of boom breaking.



HJFJDB\_7(114~165m+12m)

## HJFJDB\_7 Work Radius





Unit: t

### Load Chart of HJFJDB Configuration

| SCC6500A Crawler Crane - Load Chart of HJFJDB Configuration 1/27                                                                                               |           |          |          |           |          |          |            |
|----------------------------------------------------------------------------------------------------------------------------------------------------------------|-----------|----------|----------|-----------|----------|----------|------------|
| Jib length 12m, the superlift radius 19m, the center counterweight 60t, the rear counterweight 210t, the superlift counterweight 0-310t, boom to jib angle 10° |           |          |          |           |          |          |            |
| Radius (m)                                                                                                                                                     | Boom 114m |          |          | Boom 117m |          |          | Radius (m) |
|                                                                                                                                                                | HJFJDB_4  | HJFJDB_5 | HJFJDB_7 | HJFJDB_4  | HJFJDB_5 | HJFJDB_7 |            |
| 16                                                                                                                                                             | 162       | 163      | 164      | 157       | 158      | 159      | 16         |
| 17                                                                                                                                                             | 162       | 163      | 164      | 157       | 158      | 159      | 17         |
| 18                                                                                                                                                             | 162       | 163      | 164      | 157       | 158      | 159      | 18         |
| 19                                                                                                                                                             | 162       | 163      | 164      | 157       | 158      | 158      | 19         |
| 20                                                                                                                                                             | 162       | 162      | 163      | 157       | 158      | 158      | 20         |
| 22                                                                                                                                                             | 160       | 161      | 161      | 156       | 157      | 157      | 22         |
| 24                                                                                                                                                             | 157       | 158      | 158      | 155       | 155      | 156      | 24         |
| 26                                                                                                                                                             | 152       | 153      | 157      | 152       | 152      | 156      | 26         |
| 28                                                                                                                                                             | 146       | 147      | 157      | 147       | 148      | 152      | 28         |
| 30                                                                                                                                                             | 141       | 142      | 152      | 142       | 143      | 148      | 30         |
| 32                                                                                                                                                             | 136       | 137      | 148      | 137       | 138      | 144      | 32         |
| 34                                                                                                                                                             | 130       | 131      | 144      | 131       | 132      | 139      | 34         |
| 36                                                                                                                                                             | 125       | 126      | 139      | 126       | 127      | 135      | 36         |
| 38                                                                                                                                                             | 120       | 121      | 136      | 121       | 122      | 131      | 38         |
| 40                                                                                                                                                             | 116       | 117      | 131      | 117       | 118      | 127      | 40         |
| 44                                                                                                                                                             | 110       | 111      | 124      | 111       | 112      | 120      | 44         |
| 48                                                                                                                                                             | 105       | 106      | 117      | 106       | 107      | 113      | 48         |
| 52                                                                                                                                                             | 100       | 101      | 111      | 101       | 102      | 107      | 52         |
| 56                                                                                                                                                             | 95.1      | 95.7     | 105      | 96.8      | 96.9     | 102      | 56         |
| 60                                                                                                                                                             | 91.1      | 91.6     | 101      | 92.8      | 92.9     | 97.2     | 60         |
| 64                                                                                                                                                             | 88.0      | 88.4     | 96.0     | 89.1      | 89.7     | 92.9     | 64         |
| 68                                                                                                                                                             | 84.5      | 84.9     | 91.7     | 85.7      | 85.9     | 88.3     | 68         |
| 72                                                                                                                                                             | 81.0      | 81.5     | 88.3     | 82.7      | 82.8     | 84.6     | 72         |
| 76                                                                                                                                                             | 77.9      | 77.9     | 84.1     | 79.2      | 79.7     | 81.1     | 76         |
| 80                                                                                                                                                             | 74.9      | 74.9     | 78.2     | 74.7      | 74.7     | 77.0     | 80         |
| 84                                                                                                                                                             | 71.1      | 71.1     | 72.9     | 69.4      | 67.9     | 71.7     | 84         |
| 88                                                                                                                                                             | 66.2      | 66.2     | 68.0     | 64.5      | 65.9     | 66.8     | 88         |
| 92                                                                                                                                                             | 61.7      | 61.0     | 63.5     | 60.1      | 62.6     | 62.3     | 92         |
| 96                                                                                                                                                             | 57.6      | 59.5     | 59.3     | 55.8      | 58.4     | 58.1     | 96         |
| 100                                                                                                                                                            | 53.8      | 55.6     | 55.3     | 50.9      | 54.4     | 54.1     | 100        |
| 104                                                                                                                                                            | 50.3      | 51.9     | 51.5     | 47.4      | 50.7     | 50.4     | 104        |
| 108                                                                                                                                                            | 47.0      | 48.4     | 48.1     | 44.4      | 47.3     | 46.9     | 108        |
| 112                                                                                                                                                            | 44.0      | 45.2     | 44.9     | 41.4      | 44.1     | 43.7     | 112        |

**Load Chart of HJFJDB Configuration****SCC6500A Crawler Crane - Load Chart of HJFJDB Configuration 2/27**

Jib length 12m, the superlift radius 19m, the center counterweight 60t, the rear counterweight 210t,  
the superlift counterweight 0-310t, boom to jib angle 10°

| Radius (m) | Boom 120m |          |          | Boom 123m |          |          | Radius (m) |
|------------|-----------|----------|----------|-----------|----------|----------|------------|
|            | HJFJDB_4  | HJFJDB_5 | HJFJDB_7 | HJFJDB_4  | HJFJDB_5 | HJFJDB_7 |            |
| 16         | 151       | 156      | 157      | 145       | 153      | 154      | 16         |
| 17         | 151       | 155      | 156      | 145       | 153      | 154      | 17         |
| 18         | 151       | 155      | 156      | 145       | 153      | 154      | 18         |
| 19         | 151       | 155      | 155      | 145       | 153      | 154      | 19         |
| 20         | 151       | 155      | 155      | 145       | 153      | 153      | 20         |
| 22         | 151       | 155      | 155      | 145       | 153      | 153      | 22         |
| 24         | 151       | 155      | 154      | 145       | 152      | 153      | 24         |
| 26         | 149       | 152      | 152      | 145       | 152      | 152      | 26         |
| 28         | 146       | 148      | 148      | 144       | 151      | 151      | 28         |
| 30         | 142       | 143      | 143      | 142       | 146      | 147      | 30         |
| 32         | 138       | 139      | 140      | 139       | 142      | 143      | 32         |
| 34         | 132       | 135      | 135      | 135       | 139      | 138      | 34         |
| 36         | 127       | 131      | 130      | 130       | 134      | 135      | 36         |
| 38         | 123       | 126      | 127      | 125       | 131      | 130      | 38         |
| 40         | 119       | 123      | 122      | 121       | 127      | 127      | 40         |
| 44         | 113       | 116      | 115      | 114       | 120      | 120      | 44         |
| 48         | 107       | 109      | 109      | 108       | 113      | 113      | 48         |
| 52         | 102       | 103      | 103      | 103       | 108      | 107      | 52         |
| 56         | 97.6      | 97.5     | 98.2     | 99.1      | 102      | 102      | 56         |
| 60         | 93.6      | 92.6     | 93.1     | 95.0      | 97.1     | 97.3     | 60         |
| 64         | 89.9      | 87.8     | 88.5     | 91.0      | 92.5     | 92.9     | 64         |
| 68         | 86.5      | 83.9     | 84.5     | 87.6      | 87.9     | 88.7     | 68         |
| 72         | 83.4      | 80.1     | 81.0     | 84.3      | 84.2     | 84.9     | 72         |
| 76         | 79.8      | 77.1     | 77.2     | 78.8      | 80.6     | 81.0     | 76         |
| 80         | 73.9      | 74.2     | 74.3     | 72.9      | 75.4     | 75.1     | 80         |
| 84         | 68.6      | 71.2     | 70.9     | 67.6      | 70.1     | 69.7     | 84         |
| 88         | 63.8      | 66.3     | 66.0     | 62.7      | 65.2     | 64.9     | 88         |
| 92         | 59.3      | 61.9     | 61.6     | 57.4      | 60.7     | 60.4     | 92         |
| 96         | 54.9      | 57.7     | 57.4     | 52.7      | 56.6     | 56.2     | 96         |
| 100        | 50.1      | 53.7     | 53.4     | 49.1      | 52.6     | 52.2     | 100        |
| 104        | 46.8      | 50.0     | 49.7     | 45.7      | 48.9     | 48.5     | 104        |
| 108        | 43.6      | 46.6     | 46.2     | 42.6      | 45.4     | 45.1     | 108        |
| 112        | 40.7      | 43.4     | 43.1     | 39.7      | 42.2     | 41.9     | 112        |
| 116        | 38.0      | 40.4     | 40.1     | 37.0      | 39.3     | 38.9     | 116        |
| 120        |           |          |          | 34.4      | 36.5     | 36.1     | 120        |

Unit: t

## Load Chart of HJFJDB Configuration

| SCC6500A Crawler Crane - Load Chart of HJFJDB Configuration 3/27                                                                                               |           |          |          |           |          |          |            |
|----------------------------------------------------------------------------------------------------------------------------------------------------------------|-----------|----------|----------|-----------|----------|----------|------------|
| Jib length 12m, the superlift radius 19m, the center counterweight 60t, the rear counterweight 210t, the superlift counterweight 0-310t, boom to jib angle 10° |           |          |          |           |          |          |            |
| Radius (m)                                                                                                                                                     | Boom 126m |          |          | Boom 129m |          |          | Radius (m) |
|                                                                                                                                                                | HJFJDB_4  | HJFJDB_5 | HJFJDB_7 | HJFJDB_4  | HJFJDB_5 | HJFJDB_7 |            |
| 17                                                                                                                                                             | 135       | 146      | 152      | 130       | 138      | 145      | 17         |
| 18                                                                                                                                                             | 135       | 146      | 152      | 130       | 138      | 145      | 18         |
| 19                                                                                                                                                             | 135       | 146      | 152      | 130       | 138      | 145      | 19         |
| 20                                                                                                                                                             | 135       | 146      | 152      | 130       | 138      | 145      | 20         |
| 22                                                                                                                                                             | 135       | 146      | 152      | 130       | 138      | 145      | 22         |
| 24                                                                                                                                                             | 135       | 145      | 152      | 130       | 138      | 144      | 24         |
| 26                                                                                                                                                             | 135       | 145      | 151      | 130       | 138      | 144      | 26         |
| 28                                                                                                                                                             | 135       | 145      | 151      | 130       | 138      | 144      | 28         |
| 30                                                                                                                                                             | 134       | 145      | 151      | 129       | 138      | 144      | 30         |
| 32                                                                                                                                                             | 134       | 145      | 151      | 129       | 137      | 144      | 32         |
| 34                                                                                                                                                             | 133       | 141      | 150      | 128       | 137      | 144      | 34         |
| 36                                                                                                                                                             | 131       | 138      | 150      | 127       | 136      | 144      | 36         |
| 38                                                                                                                                                             | 127       | 135      | 149      | 125       | 135      | 144      | 38         |
| 40                                                                                                                                                             | 122       | 131      | 149      | 122       | 134      | 143      | 40         |
| 44                                                                                                                                                             | 115       | 123      | 143      | 115       | 128      | 137      | 44         |
| 48                                                                                                                                                             | 109       | 117      | 137      | 111       | 121      | 131      | 48         |
| 52                                                                                                                                                             | 104       | 111      | 131      | 106       | 115      | 126      | 52         |
| 56                                                                                                                                                             | 99.9      | 105      | 122      | 101       | 109      | 120      | 56         |
| 60                                                                                                                                                             | 95.9      | 101      | 112      | 97.0      | 105      | 110      | 60         |
| 64                                                                                                                                                             | 92.3      | 96.1     | 102      | 94.0      | 99.9     | 101      | 64         |
| 68                                                                                                                                                             | 88.9      | 92.0     | 94.2     | 90.0      | 93.6     | 93.0     | 68         |
| 72                                                                                                                                                             | 85.4      | 87.5     | 86.9     | 84.3      | 86.3     | 85.7     | 72         |
| 76                                                                                                                                                             | 78.8      | 80.9     | 80.4     | 77.8      | 79.8     | 79.2     | 76         |
| 80                                                                                                                                                             | 73.0      | 75.0     | 74.5     | 71.9      | 73.9     | 73.3     | 80         |
| 84                                                                                                                                                             | 67.6      | 69.7     | 69.1     | 66.6      | 68.5     | 67.9     | 84         |
| 88                                                                                                                                                             | 62.8      | 64.8     | 64.3     | 61.8      | 63.7     | 63.0     | 88         |
| 92                                                                                                                                                             | 56.9      | 60.3     | 59.8     | 57.2      | 59.2     | 58.6     | 92         |
| 96                                                                                                                                                             | 52.9      | 56.3     | 55.7     | 51.9      | 55.1     | 54.5     | 96         |
| 100                                                                                                                                                            | 49.3      | 52.3     | 51.7     | 48.3      | 51.2     | 50.5     | 100        |
| 104                                                                                                                                                            | 45.9      | 48.6     | 48.0     | 44.9      | 47.5     | 46.8     | 104        |
| 108                                                                                                                                                            | 42.8      | 45.2     | 44.5     | 41.8      | 44.0     | 43.3     | 108        |
| 112                                                                                                                                                            | 39.9      | 42.0     | 41.3     | 38.9      | 40.8     | 40.1     | 112        |
| 116                                                                                                                                                            | 37.2      | 39.0     | 38.4     | 36.1      | 37.9     | 37.2     | 116        |
| 120                                                                                                                                                            | 34.0      | 36.2     | 35.6     | 33.6      | 35.1     | 34.4     | 120        |
| 124                                                                                                                                                            |           |          |          | 31.2      | 32.5     | 31.8     | 124        |

**Load Chart of HJFJDB Configuration****SCC6500A Crawler Crane - Load Chart of HJFJDB Configuration 4/27**

Jib length 12m, the superlift radius 19m, the center counterweight 60t, the rear counterweight 210t,  
the superlift counterweight 0-310t, boom to jib angle 10°

| Radius (m) | Boom 132m |          |          | Boom 135m |          |          | Radius (m) |
|------------|-----------|----------|----------|-----------|----------|----------|------------|
|            | HJFJDB_4  | HJFJDB_5 | HJFJDB_7 | HJFJDB_4  | HJFJDB_5 | HJFJDB_7 |            |
| 17         | 125       | 131      | 138      | 119       | 125      | 132      | 17         |
| 18         | 125       | 131      | 138      | 119       | 125      | 132      | 18         |
| 19         | 125       | 131      | 138      | 119       | 124      | 132      | 19         |
| 20         | 125       | 131      | 138      | 119       | 124      | 131      | 20         |
| 22         | 125       | 131      | 138      | 119       | 124      | 131      | 22         |
| 24         | 125       | 131      | 138      | 119       | 124      | 131      | 24         |
| 26         | 124       | 131      | 138      | 118       | 124      | 131      | 26         |
| 28         | 124       | 131      | 138      | 118       | 124      | 131      | 28         |
| 30         | 123       | 131      | 138      | 118       | 124      | 131      | 30         |
| 32         | 123       | 130      | 138      | 117       | 124      | 131      | 32         |
| 34         | 122       | 130      | 138      | 116       | 123      | 131      | 34         |
| 36         | 121       | 129      | 137      | 115       | 122      | 131      | 36         |
| 38         | 120       | 128      | 137      | 114       | 121      | 130      | 38         |
| 40         | 118       | 127      | 136      | 113       | 120      | 129      | 40         |
| 44         | 113       | 125      | 134      | 110       | 119      | 128      | 44         |
| 48         | 109       | 124      | 133      | 106       | 117      | 126      | 48         |
| 52         | 105       | 119      | 131      | 102       | 115      | 124      | 52         |
| 56         | 102       | 113      | 120      | 99.7      | 114      | 119      | 56         |
| 60         | 98.5      | 109      | 110      | 97.5      | 109      | 109      | 60         |
| 64         | 95.5      | 101      | 100      | 94.2      | 99.9     | 99.2     | 64         |
| 68         | 91.0      | 92.9     | 92.3     | 89.5      | 91.7     | 91.1     | 68         |
| 72         | 83.5      | 85.6     | 85.0     | 82.2      | 84.4     | 83.8     | 72         |
| 76         | 77.1      | 79.0     | 78.4     | 75.8      | 77.9     | 77.2     | 76         |
| 80         | 71.2      | 73.1     | 72.5     | 70.0      | 72.0     | 71.3     | 80         |
| 84         | 65.9      | 67.8     | 67.2     | 64.7      | 66.6     | 66.0     | 84         |
| 88         | 61.1      | 62.9     | 62.3     | 59.9      | 61.8     | 61.1     | 88         |
| 92         | 56.6      | 58.4     | 57.9     | 55.4      | 57.3     | 56.7     | 92         |
| 96         | 51.2      | 54.4     | 53.8     | 50.1      | 53.2     | 52.6     | 96         |
| 100        | 47.5      | 50.4     | 49.8     | 46.5      | 49.3     | 48.6     | 100        |
| 104        | 44.2      | 46.7     | 46.1     | 43.1      | 45.6     | 44.9     | 104        |
| 108        | 41.0      | 43.3     | 42.6     | 40.0      | 42.2     | 41.4     | 108        |
| 112        | 38.1      | 40.1     | 39.5     | 37.1      | 39.0     | 38.2     | 112        |
| 116        | 35.4      | 37.1     | 36.5     | 34.4      | 36.0     | 35.3     | 116        |
| 120        | 32.8      | 34.4     | 33.7     | 31.9      | 33.2     | 32.5     | 120        |
| 124        | 30.5      | 31.8     | 31.1     | 29.5      | 30.6     | 29.9     | 124        |
| 128        | 28.2      | 29.3     | 28.7     | 27.3      | 28.2     | 27.5     | 128        |

Unit: t

### Load Chart of HJFJDB Configuration

| SCC6500A Crawler Crane - Load Chart of HJFJDB Configuration 5/27                                                                                               |           |          |          |           |          |          |            |
|----------------------------------------------------------------------------------------------------------------------------------------------------------------|-----------|----------|----------|-----------|----------|----------|------------|
| Jib length 12m, the superlift radius 19m, the center counterweight 60t, the rear counterweight 210t, the superlift counterweight 0-310t, boom to jib angle 10° |           |          |          |           |          |          |            |
| Radius (m)                                                                                                                                                     | Boom 138m |          |          | Boom 141m |          |          | Radius (m) |
|                                                                                                                                                                | HJFJDB_4  | HJFJDB_5 | HJFJDB_7 | HJFJDB_4  | HJFJDB_5 | HJFJDB_7 |            |
| 18                                                                                                                                                             | 113       | 118      | 125      | 108       | 112      | 119      | 18         |
| 19                                                                                                                                                             | 113       | 118      | 125      | 108       | 112      | 119      | 19         |
| 20                                                                                                                                                             | 113       | 118      | 125      | 108       | 112      | 119      | 20         |
| 22                                                                                                                                                             | 112       | 118      | 125      | 107       | 112      | 119      | 22         |
| 24                                                                                                                                                             | 112       | 118      | 125      | 106       | 112      | 119      | 24         |
| 26                                                                                                                                                             | 111       | 117      | 125      | 105       | 111      | 119      | 26         |
| 28                                                                                                                                                             | 111       | 117      | 125      | 105       | 111      | 119      | 28         |
| 30                                                                                                                                                             | 110       | 116      | 125      | 105       | 110      | 119      | 30         |
| 32                                                                                                                                                             | 109       | 115      | 125      | 105       | 109      | 119      | 32         |
| 34                                                                                                                                                             | 108       | 114      | 125      | 104       | 109      | 119      | 34         |
| 36                                                                                                                                                             | 107       | 114      | 124      | 103       | 108      | 118      | 36         |
| 38                                                                                                                                                             | 106       | 113      | 124      | 102       | 107      | 117      | 38         |
| 40                                                                                                                                                             | 105       | 112      | 123      | 101       | 106      | 117      | 40         |
| 44                                                                                                                                                             | 104       | 110      | 121      | 99.4      | 105      | 115      | 44         |
| 48                                                                                                                                                             | 102       | 109      | 120      | 97.4      | 103      | 114      | 48         |
| 52                                                                                                                                                             | 99.5      | 107      | 118      | 95.4      | 102      | 112      | 52         |
| 56                                                                                                                                                             | 97.5      | 105      | 117      | 93.9      | 100      | 111      | 56         |
| 60                                                                                                                                                             | 94.6      | 104      | 108      | 91.5      | 98.6     | 107      | 60         |
| 64                                                                                                                                                             | 91.6      | 100      | 98.9     | 89.9      | 97.0     | 97.7     | 64         |
| 68                                                                                                                                                             | 87.0      | 91.9     | 90.7     | 86.1      | 90.7     | 89.5     | 68         |
| 72                                                                                                                                                             | 80.5      | 84.6     | 83.5     | 80.9      | 83.5     | 82.2     | 72         |
| 76                                                                                                                                                             | 74.1      | 78.1     | 76.9     | 74.6      | 76.9     | 75.7     | 76         |
| 80                                                                                                                                                             | 68.4      | 72.2     | 71.0     | 68.8      | 71.0     | 69.8     | 80         |
| 84                                                                                                                                                             | 63.3      | 66.8     | 65.7     | 61.5      | 65.7     | 64.5     | 84         |
| 88                                                                                                                                                             | 58.6      | 62.0     | 60.8     | 55.7      | 60.9     | 59.6     | 88         |
| 92                                                                                                                                                             | 54.1      | 57.5     | 56.4     | 50.5      | 56.4     | 55.2     | 92         |
| 96                                                                                                                                                             | 49.2      | 53.4     | 52.3     | 46.7      | 52.3     | 51.1     | 96         |
| 100                                                                                                                                                            | 45.6      | 49.7     | 48.4     | 43.3      | 48.6     | 47.2     | 100        |
| 104                                                                                                                                                            | 42.4      | 46.0     | 44.7     | 40.1      | 44.8     | 43.5     | 104        |
| 108                                                                                                                                                            | 39.3      | 42.5     | 41.2     | 37.1      | 41.4     | 40.0     | 108        |
| 112                                                                                                                                                            | 36.4      | 39.4     | 38.1     | 34.4      | 38.2     | 36.9     | 112        |
| 116                                                                                                                                                            | 33.8      | 36.4     | 35.1     | 31.8      | 35.3     | 33.9     | 116        |
| 120                                                                                                                                                            | 31.3      | 33.6     | 32.3     | 29.4      | 32.5     | 31.1     | 120        |
| 124                                                                                                                                                            | 29.0      | 31.0     | 29.7     | 27.2      | 29.9     | 28.5     | 124        |
| 128                                                                                                                                                            | 26.8      | 28.6     | 27.3     | 18.8      | 27.5     | 26.1     | 128        |
| 132                                                                                                                                                            | 18.7      | 26.3     | 25.0     | 11.7      | 25.2     | 23.8     | 132        |
| 136                                                                                                                                                            |           |          |          |           | 23.0     | 21.6     | 136        |

**Load Chart of HJFJDB Configuration****SCC6500A Crawler Crane - Load Chart of HJFJDB Configuration 6/27**

Jib length 12m, the superlift radius 19m, the center counterweight 60t, the rear counterweight 210t,  
the superlift counterweight 0-310t, boom to jib angle 10°

| Radius (m) | Boom 144m |          |          | Boom 147m |          |          | Radius (m) |
|------------|-----------|----------|----------|-----------|----------|----------|------------|
|            | HJFJDB_4  | HJFJDB_5 | HJFJDB_7 | HJFJDB_4  | HJFJDB_5 | HJFJDB_7 |            |
| 18         | 102       | 106      | 116      | 96.9      | 101      | 108      | 18         |
| 19         | 102       | 106      | 116      | 96.5      | 101      | 108      | 19         |
| 20         | 101       | 106      | 116      | 96.5      | 101      | 108      | 20         |
| 22         | 101       | 106      | 116      | 96.2      | 99.9     | 108      | 22         |
| 24         | 101       | 105      | 116      | 95.9      | 99.3     | 108      | 24         |
| 26         | 100       | 105      | 115      | 95.7      | 98.6     | 108      | 26         |
| 28         | 99.9      | 104      | 114      | 95.5      | 98.0     | 108      | 28         |
| 30         | 99.6      | 103      | 113      | 95.2      | 97.3     | 108      | 30         |
| 32         | 99.2      | 102      | 113      | 94.9      | 96.6     | 107      | 32         |
| 34         | 98.9      | 102      | 113      | 94.7      | 96.0     | 107      | 34         |
| 36         | 98.4      | 101      | 112      | 94.2      | 95.3     | 106      | 36         |
| 38         | 97.8      | 100      | 111      | 93.2      | 94.6     | 105      | 38         |
| 40         | 96.8      | 99.5     | 111      | 91.5      | 93.9     | 105      | 40         |
| 44         | 95.1      | 98.1     | 109      | 88.8      | 92.5     | 103      | 44         |
| 48         | 93.3      | 96.5     | 108      | 86.5      | 91.1     | 102      | 48         |
| 52         | 91.3      | 95.0     | 107      | 85.1      | 89.7     | 101      | 52         |
| 56         | 88.9      | 93.5     | 105      | 83.3      | 88.4     | 99.2     | 56         |
| 60         | 86.3      | 92.0     | 104      | 81.5      | 87.0     | 97.9     | 60         |
| 64         | 84.4      | 90.4     | 96.9     | 79.9      | 85.6     | 95.7     | 64         |
| 68         | 81.7      | 88.9     | 88.8     | 77.8      | 84.4     | 87.6     | 68         |
| 72         | 77.5      | 82.7     | 81.5     | 74.6      | 81.4     | 80.3     | 72         |
| 76         | 71.6      | 76.1     | 75.0     | 69.6      | 74.9     | 73.8     | 76         |
| 80         | 65.1      | 70.3     | 69.1     | 64.4      | 69.0     | 67.9     | 80         |
| 84         | 60.0      | 64.9     | 63.7     | 58.2      | 63.7     | 62.5     | 84         |
| 88         | 55.2      | 60.1     | 58.9     | 53.8      | 58.8     | 57.7     | 88         |
| 92         | 50.6      | 55.6     | 54.4     | 49.3      | 54.4     | 53.2     | 92         |
| 96         | 46.5      | 51.5     | 50.4     | 45.2      | 50.3     | 49.2     | 96         |
| 100        | 42.6      | 47.8     | 46.5     | 41.2      | 46.5     | 45.3     | 100        |
| 104        | 38.8      | 44.1     | 42.8     | 37.6      | 42.8     | 41.6     | 104        |
| 108        | 35.4      | 40.7     | 39.3     | 34.0      | 39.4     | 38.1     | 108        |
| 112        | 32.2      | 37.5     | 36.2     | 30.7      | 36.2     | 35.0     | 112        |
| 116        | 28.4      | 34.5     | 33.2     | 26.8      | 33.2     | 32.0     | 116        |
| 120        | 25.4      | 31.8     | 30.4     | 20.8      | 30.5     | 29.2     | 120        |
| 124        | 21.6      | 29.2     | 27.8     | 14.1      | 27.9     | 26.6     | 124        |
| 128        | 14.6      | 26.7     | 25.4     | 7.6       | 25.5     | 24.2     | 128        |
| 132        | 7.7       | 24.4     | 23.1     |           | 23.2     | 21.9     | 132        |
| 136        |           | 22.3     | 20.9     |           | 21.0     | 19.7     | 136        |
| 140        |           |          |          |           | 19.0     | 17.7     | 140        |

Unit: t

## Load Chart of HJFJDB Configuration

| SCC6500A Crawler Crane - Load Chart of HJFJDB Configuration 7/27                                                                                               |           |          |          |           |          |          |            |
|----------------------------------------------------------------------------------------------------------------------------------------------------------------|-----------|----------|----------|-----------|----------|----------|------------|
| Jib length 12m, the superlift radius 19m, the center counterweight 60t, the rear counterweight 210t, the superlift counterweight 0-310t, boom to jib angle 10° |           |          |          |           |          |          |            |
| Radius (m)                                                                                                                                                     | Boom 150m |          |          | Boom 153m |          |          | Radius (m) |
|                                                                                                                                                                | HJFJDB_4  | HJFJDB_5 | HJFJDB_7 | HJFJDB_4  | HJFJDB_5 | HJFJDB_7 |            |
| 19                                                                                                                                                             | 89.1      | 94.1     | 103      | 84.3      | 89.1     | 98.1     | 19         |
| 20                                                                                                                                                             | 88.8      | 93.8     | 103      | 84.0      | 88.7     | 97.8     | 20         |
| 22                                                                                                                                                             | 88.1      | 93.2     | 103      | 83.3      | 88.1     | 97.2     | 22         |
| 24                                                                                                                                                             | 87.4      | 92.5     | 102      | 82.8      | 87.5     | 96.6     | 24         |
| 26                                                                                                                                                             | 86.7      | 91.9     | 102      | 82.1      | 86.8     | 96.0     | 26         |
| 28                                                                                                                                                             | 86.0      | 91.2     | 101      | 81.4      | 86.1     | 95.4     | 28         |
| 30                                                                                                                                                             | 85.4      | 90.5     | 100      | 80.8      | 85.5     | 94.8     | 30         |
| 32                                                                                                                                                             | 84.7      | 89.9     | 99.7     | 80.1      | 84.8     | 94.4     | 32         |
| 34                                                                                                                                                             | 84.0      | 89.2     | 99.1     | 79.4      | 84.1     | 93.8     | 34         |
| 36                                                                                                                                                             | 83.3      | 88.5     | 98.4     | 78.8      | 83.5     | 93.2     | 36         |
| 38                                                                                                                                                             | 82.6      | 87.8     | 97.8     | 78.1      | 82.8     | 92.6     | 38         |
| 40                                                                                                                                                             | 82.2      | 87.4     | 97.1     | 77.5      | 82.2     | 91.9     | 40         |
| 44                                                                                                                                                             | 80.9      | 86.1     | 95.9     | 76.2      | 80.9     | 90.7     | 44         |
| 48                                                                                                                                                             | 79.6      | 84.7     | 94.9     | 75.0      | 79.7     | 89.5     | 48         |
| 52                                                                                                                                                             | 78.3      | 83.4     | 93.7     | 73.8      | 78.4     | 88.3     | 52         |
| 56                                                                                                                                                             | 77.0      | 82.2     | 92.5     | 72.6      | 77.2     | 87.2     | 56         |
| 60                                                                                                                                                             | 75.8      | 80.9     | 91.3     | 71.4      | 76.0     | 86.0     | 60         |
| 64                                                                                                                                                             | 74.6      | 79.6     | 90.1     | 70.3      | 74.8     | 84.9     | 64         |
| 68                                                                                                                                                             | 73.4      | 78.3     | 87.2     | 69.2      | 73.7     | 83.7     | 68         |
| 72                                                                                                                                                             | 72.2      | 77.1     | 79.9     | 68.1      | 72.5     | 78.7     | 72         |
| 76                                                                                                                                                             | 71.0      | 75.1     | 73.4     | 67.0      | 71.4     | 72.2     | 76         |
| 80                                                                                                                                                             | 69.9      | 69.2     | 67.5     | 65.9      | 68.1     | 66.3     | 80         |
| 84                                                                                                                                                             | 65.0      | 63.9     | 62.2     | 63.9      | 62.8     | 61.0     | 84         |
| 88                                                                                                                                                             | 60.2      | 59.1     | 57.4     | 59.1      | 58.0     | 56.2     | 88         |
| 92                                                                                                                                                             | 55.7      | 54.6     | 52.9     | 54.7      | 53.5     | 51.7     | 92         |
| 96                                                                                                                                                             | 51.7      | 50.6     | 48.8     | 50.6      | 49.4     | 47.6     | 96         |
| 100                                                                                                                                                            | 47.9      | 46.8     | 45.1     | 46.8      | 45.7     | 43.8     | 100        |
| 104                                                                                                                                                            | 44.4      | 43.3     | 41.3     | 43.4      | 42.2     | 40.1     | 104        |
| 108                                                                                                                                                            | 41.1      | 39.8     | 37.9     | 40.0      | 38.7     | 36.7     | 108        |
| 112                                                                                                                                                            | 37.9      | 36.6     | 34.7     | 36.8      | 35.5     | 33.5     | 112        |
| 116                                                                                                                                                            | 34.9      | 33.7     | 31.8     | 33.9      | 32.6     | 30.5     | 116        |
| 120                                                                                                                                                            | 32.2      | 30.9     | 29.0     | 31.1      | 29.8     | 27.8     | 120        |
| 124                                                                                                                                                            | 29.6      | 28.3     | 26.4     | 28.5      | 27.2     | 25.2     | 124        |
| 128                                                                                                                                                            | 27.2      | 25.9     | 24.0     | 26.1      | 24.8     | 22.8     | 128        |
| 132                                                                                                                                                            | 24.9      | 23.6     | 21.7     | 23.8      | 22.5     | 20.5     | 132        |
| 136                                                                                                                                                            | 22.7      | 21.5     | 19.5     | 21.7      | 20.4     | 18.3     | 136        |
| 140                                                                                                                                                            | 20.7      | 19.4     | 17.5     | 19.6      | 18.3     | 16.3     | 140        |
| 144                                                                                                                                                            |           |          |          | 17.7      | 16.4     | 14.4     | 144        |

## Load Chart of HJFJDB Configuration

### SCC6500A Crawler Crane - Load Chart of HJFJDB Configuration 8/27

Jib length 12m, the superlift radius 19m, the center counterweight 60t, the rear counterweight 210t,  
the superlift counterweight 0-310t, boom to jib angle 10°

| Radius (m) | Boom 156m |          |          | Boom 159m |          |          | Radius (m) |
|------------|-----------|----------|----------|-----------|----------|----------|------------|
|            | HJFJDB_4  | HJFJDB_5 | HJFJDB_7 | HJFJDB_4  | HJFJDB_5 | HJFJDB_7 |            |
| 19         | 79.9      | 84.1     | 93.0     |           |          |          | 19         |
| 20         | 79.6      | 83.8     | 92.8     | 75.7      | 78.8     | 87.3     | 20         |
| 22         | 78.9      | 83.1     | 92.2     | 75.1      | 78.2     | 86.8     | 22         |
| 24         | 78.2      | 82.4     | 91.7     | 74.5      | 77.5     | 86.2     | 24         |
| 26         | 77.5      | 81.8     | 91.0     | 73.9      | 76.8     | 85.6     | 26         |
| 28         | 76.8      | 81.1     | 90.5     | 73.2      | 76.1     | 85.0     | 28         |
| 30         | 76.1      | 80.4     | 89.9     | 72.6      | 75.4     | 84.3     | 30         |
| 32         | 75.5      | 79.8     | 89.3     | 71.9      | 74.9     | 83.7     | 32         |
| 34         | 74.8      | 79.1     | 88.7     | 71.3      | 74.1     | 83.1     | 34         |
| 36         | 74.2      | 78.4     | 88.1     | 70.7      | 73.6     | 82.5     | 36         |
| 38         | 73.5      | 77.8     | 87.5     | 70.0      | 73.0     | 81.9     | 38         |
| 40         | 72.9      | 77.2     | 86.9     | 69.4      | 72.3     | 81.3     | 40         |
| 44         | 71.6      | 75.9     | 85.7     | 68.1      | 71.1     | 80.1     | 44         |
| 48         | 70.5      | 74.7     | 84.5     | 67.0      | 70.0     | 79.0     | 48         |
| 52         | 69.3      | 73.5     | 83.4     | 66.0      | 68.8     | 78.1     | 52         |
| 56         | 68.3      | 72.6     | 82.2     | 64.8      | 67.7     | 77.0     | 56         |
| 60         | 67.2      | 71.4     | 81.1     | 63.7      | 66.6     | 75.9     | 60         |
| 64         | 66.2      | 70.3     | 80.0     | 62.6      | 65.5     | 74.8     | 64         |
| 68         | 65.1      | 69.2     | 78.9     | 61.6      | 64.5     | 73.8     | 68         |
| 72         | 64.1      | 68.2     | 77.8     | 60.5      | 63.6     | 72.7     | 72         |
| 76         | 63.1      | 67.1     | 71.4     | 57.3      | 62.6     | 70.2     | 76         |
| 80         | 62.1      | 66.1     | 65.6     | 51.9      | 61.6     | 64.4     | 80         |
| 84         | 61.1      | 62.0     | 60.2     | 47.2      | 60.6     | 59.1     | 84         |
| 88         | 58.3      | 57.2     | 55.4     | 43.3      | 56.1     | 54.2     | 88         |
| 92         | 53.9      | 52.7     | 51.0     | 38.9      | 51.6     | 49.8     | 92         |
| 96         | 49.8      | 48.7     | 46.9     | 35.3      | 47.6     | 45.7     | 96         |
| 100        | 46.0      | 44.9     | 43.1     | 31.9      | 43.8     | 41.9     | 100        |
| 104        | 42.6      | 41.4     | 39.4     | 29.0      | 40.3     | 38.2     | 104        |
| 108        | 39.2      | 38.0     | 36.0     | 26.2      | 36.9     | 34.8     | 108        |
| 112        | 36.1      | 34.8     | 32.8     | 23.0      | 33.7     | 31.6     | 112        |
| 116        | 33.1      | 31.8     | 29.8     | 20.4      | 30.7     | 28.6     | 116        |
| 120        | 30.3      | 29.1     | 27.1     | 18.4      | 28.0     | 25.9     | 120        |
| 124        | 27.8      | 26.5     | 24.5     | 15.9      | 25.4     | 23.3     | 124        |
| 128        | 25.3      | 24.0     | 22.0     | 13.5      | 22.9     | 20.8     | 128        |
| 132        | 23.0      | 21.8     | 19.8     | 11.2      | 20.7     | 18.6     | 132        |
| 136        | 20.9      | 19.6     | 17.6     | 9.5       | 18.5     | 16.4     | 136        |
| 140        | 18.9      | 17.6     | 15.6     | 7.8       | 16.5     | 14.4     | 140        |
| 144        | 17.0      | 15.7     | 13.6     | 5.7       | 14.6     | 12.5     | 144        |
| 148        | 15.1      | 13.8     | 11.8     |           | 12.7     | 10.6     | 148        |



Unit: t

### Load Chart of HJFJDB Configuration

| SCC6500A Crawler Crane - Load Chart of HJFJDB Configuration 9/27                                                                                               |           |          |           |          |            |
|----------------------------------------------------------------------------------------------------------------------------------------------------------------|-----------|----------|-----------|----------|------------|
| Jib length 12m, the superlift radius 19m, the center counterweight 60t, the rear counterweight 210t, the superlift counterweight 0-310t, boom to jib angle 10° |           |          |           |          |            |
| Radius (m)                                                                                                                                                     | Boom 162m |          | Boom 165m |          | Radius (m) |
|                                                                                                                                                                | HJFJDB_5  | HJFJDB_7 | HJFJDB_5  | HJFJDB_7 |            |
| 20                                                                                                                                                             | 74.8      | 84.3     | 70.5      | 79.7     | 20         |
| 22                                                                                                                                                             | 74.2      | 83.9     | 70.0      | 79.2     | 22         |
| 24                                                                                                                                                             | 73.6      | 83.4     | 69.4      | 78.8     | 24         |
| 26                                                                                                                                                             | 73.0      | 82.9     | 68.8      | 78.3     | 26         |
| 28                                                                                                                                                             | 72.5      | 82.4     | 68.2      | 77.9     | 28         |
| 30                                                                                                                                                             | 71.9      | 81.9     | 67.6      | 77.4     | 30         |
| 32                                                                                                                                                             | 71.3      | 81.4     | 67.1      | 76.9     | 32         |
| 34                                                                                                                                                             | 70.9      | 80.9     | 66.5      | 76.6     | 34         |
| 36                                                                                                                                                             | 70.4      | 80.4     | 65.9      | 75.9     | 36         |
| 38                                                                                                                                                             | 69.8      | 79.9     | 65.4      | 75.4     | 38         |
| 40                                                                                                                                                             | 69.3      | 79.4     | 64.9      | 74.9     | 40         |
| 44                                                                                                                                                             | 68.2      | 78.4     | 63.8      | 74.2     | 44         |
| 48                                                                                                                                                             | 67.2      | 77.4     | 62.8      | 73.2     | 48         |
| 52                                                                                                                                                             | 66.2      | 76.4     | 61.8      | 72.2     | 52         |
| 56                                                                                                                                                             | 65.2      | 75.6     | 61.0      | 71.3     | 56         |
| 60                                                                                                                                                             | 64.3      | 74.7     | 60.1      | 70.3     | 60         |
| 64                                                                                                                                                             | 63.3      | 73.7     | 59.1      | 69.4     | 64         |
| 68                                                                                                                                                             | 62.4      | 72.8     | 58.3      | 68.4     | 68         |
| 72                                                                                                                                                             | 61.5      | 71.9     | 57.4      | 67.5     | 72         |
| 76                                                                                                                                                             | 60.6      | 70.5     | 56.6      | 66.6     | 76         |
| 80                                                                                                                                                             | 59.7      | 64.7     | 55.7      | 63.5     | 80         |
| 84                                                                                                                                                             | 59.0      | 59.3     | 54.9      | 58.2     | 84         |
| 88                                                                                                                                                             | 56.5      | 54.5     | 54.1      | 53.3     | 88         |
| 92                                                                                                                                                             | 52.1      | 50.1     | 51.0      | 48.9     | 92         |
| 96                                                                                                                                                             | 48.0      | 46.0     | 46.9      | 44.8     | 96         |
| 100                                                                                                                                                            | 44.3      | 42.2     | 43.2      | 41.1     | 100        |
| 104                                                                                                                                                            | 40.8      | 38.7     | 39.7      | 37.5     | 104        |
| 108                                                                                                                                                            | 37.5      | 35.3     | 36.4      | 34.1     | 108        |
| 112                                                                                                                                                            | 34.3      | 32.1     | 33.2      | 30.9     | 112        |
| 116                                                                                                                                                            | 31.4      | 29.1     | 30.3      | 27.9     | 116        |
| 120                                                                                                                                                            | 28.6      | 26.3     | 27.5      | 25.2     | 120        |
| 124                                                                                                                                                            | 26.0      | 23.7     | 24.9      | 22.6     | 124        |
| 128                                                                                                                                                            | 23.6      | 21.3     | 22.5      | 20.1     | 128        |
| 132                                                                                                                                                            | 21.3      | 19.0     | 20.2      | 17.9     | 132        |
| 136                                                                                                                                                            | 19.2      | 16.9     | 18.1      | 15.7     | 136        |
| 140                                                                                                                                                            | 17.1      | 14.9     | 16.0      | 13.7     | 140        |
| 144                                                                                                                                                            | 15.2      | 12.9     | 14.1      | 11.8     | 144        |
| 148                                                                                                                                                            | 13.4      | 11.1     | 12.3      | 10.0     | 148        |
| 152                                                                                                                                                            | 11.7      | 9.4      | 10.6      | 8.2      | 152        |

## Load Chart of HJFJDB Configuration

### SCC6500A Crawler Crane - Load Chart of HJFJDB Configuration 10/27

Jib length 12m, the superlift radius 19m, the center counterweight 60t, the rear counterweight 210t,  
the superlift counterweight 0-310t, boom to jib angle 15°

| Radius (m) | Boom 114m |          |          | Boom 117m |          |          | Radius (m) |
|------------|-----------|----------|----------|-----------|----------|----------|------------|
|            | HJFJDB_4  | HJFJDB_5 | HJFJDB_7 | HJFJDB_4  | HJFJDB_5 | HJFJDB_7 |            |
| 17         | 161       | 162      | 163      | 156       | 157      | 158      | 17         |
| 18         | 161       | 162      | 163      | 156       | 157      | 158      | 18         |
| 19         | 161       | 162      | 162      | 156       | 157      | 158      | 19         |
| 20         | 161       | 162      | 161      | 156       | 157      | 157      | 20         |
| 22         | 160       | 160      | 160      | 155       | 156      | 156      | 22         |
| 24         | 156       | 156      | 156      | 154       | 155      | 155      | 24         |
| 26         | 151       | 152      | 152      | 151       | 152      | 152      | 26         |
| 28         | 145       | 146      | 146      | 146       | 147      | 148      | 28         |
| 30         | 140       | 141      | 142      | 141       | 142      | 142      | 30         |
| 32         | 135       | 136      | 137      | 136       | 137      | 137      | 32         |
| 34         | 131       | 132      | 133      | 131       | 131      | 131      | 34         |
| 36         | 126       | 127      | 127      | 126       | 126      | 126      | 36         |
| 38         | 121       | 122      | 124      | 122       | 123      | 123      | 38         |
| 40         | 116       | 117      | 120      | 117       | 117      | 119*     | 40         |
| 44         | 110       | 111      | 115      | 111       | 111      | 113      | 44         |
| 48         | 105       | 106      | 110      | 105       | 106      | 107      | 48         |
| 52         | 99.6      | 99.6     | 106      | 101       | 101      | 101      | 52         |
| 56         | 95.6      | 95.6     | 100      | 96.2      | 96.7     | 96.1     | 56         |
| 60         | 90.5      | 90.5     | 95.9     | 92.1      | 92.5     | 91.9     | 60         |
| 64         | 87.5      | 87.5     | 91.6     | 88.5      | 88.5     | 87.8     | 64         |
| 68         | 84.5      | 84.5     | 87.9     | 85.1      | 85.7     | 83.7     | 68         |
| 72         | 80.5      | 80.5     | 84.2     | 82.1      | 82.6     | 80.6     | 72         |
| 76         | 77.5      | 77.5     | 81.1     | 77.5      | 77.7     | 77.6     | 76         |
| 80         | 74.4      | 74.4     | 78.5     | 73.2      | 73.4     | 74.7     | 80         |
| 84         | 70.4      | 70.4     | 73.1     | 68.9      | 65.8     | 71.9     | 84         |
| 88         | 65.8      | 65.8     | 68.2     | 64.1      | 63.9     | 67.0     | 88         |
| 92         | 61.4      | 61.4     | 63.7     | 59.7      | 62.1     | 62.6     | 92         |
| 96         | 57.2      | 57.2     | 59.5     | 55.7      | 58.6     | 58.3     | 96         |
| 100        | 53.5      | 55.7     | 55.4     | 51.9      | 54.6     | 54.2     | 100        |
| 104        | 50.0      | 50.0     | 51.7     | 48.4      | 50.9     | 50.5     | 104        |
| 108        | 46.7      | 46.7     | 48.2     | 45.3      | 47.4     | 47.0     | 108        |
| 112        | 43.8      | 43.8     | 45.0     | 42.2      | 44.2     | 43.8     | 112        |

Unit: t

### Load Chart of HJFJDB Configuration

| SCC6500A Crawler Crane - Load Chart of HJFJDB Configuration 11/27                                                                                              |           |          |          |           |          |          |            |
|----------------------------------------------------------------------------------------------------------------------------------------------------------------|-----------|----------|----------|-----------|----------|----------|------------|
| Jib length 12m, the superlift radius 19m, the center counterweight 60t, the rear counterweight 210t, the superlift counterweight 0-310t, boom to jib angle 15° |           |          |          |           |          |          |            |
| Radius (m)                                                                                                                                                     | Boom 120m |          |          | Boom 123m |          |          | Radius (m) |
|                                                                                                                                                                | HJFJDB_4  | HJFJDB_5 | HJFJDB_7 | HJFJDB_4  | HJFJDB_5 | HJFJDB_7 |            |
| 17                                                                                                                                                             | 150       | 153      | 154      | 144       | 150      | 152      | 17         |
| 18                                                                                                                                                             | 150       | 153      | 154      | 144       | 150      | 152      | 18         |
| 19                                                                                                                                                             | 150       | 153      | 154      | 144       | 150      | 152      | 19         |
| 20                                                                                                                                                             | 150       | 151      | 152      | 144       | 150      | 152      | 20         |
| 22                                                                                                                                                             | 150       | 147      | 147      | 144       | 149      | 149      | 22         |
| 24                                                                                                                                                             | 150       | 143      | 144      | 144       | 145      | 146      | 24         |
| 26                                                                                                                                                             | 148       | 140      | 139      | 144       | 142      | 142      | 26         |
| 28                                                                                                                                                             | 147       | 136      | 136      | 144       | 138      | 138      | 28         |
| 30                                                                                                                                                             | 142       | 132      | 132      | 141       | 135      | 135      | 30         |
| 32                                                                                                                                                             | 138       | 129      | 129      | 137       | 132      | 132      | 32         |
| 34                                                                                                                                                             | 133       | 125      | 126      | 133       | 128      | 128      | 34         |
| 36                                                                                                                                                             | 128       | 122      | 122      | 129       | 125      | 125      | 36         |
| 38                                                                                                                                                             | 124       | 118      | 119      | 124       | 122      | 122      | 38         |
| 40                                                                                                                                                             | 119       | 115      | 115      | 120       | 119      | 119      | 40         |
| 44                                                                                                                                                             | 112       | 109      | 109      | 113       | 112      | 113      | 44         |
| 48                                                                                                                                                             | 107       | 102      | 103      | 108       | 107      | 107      | 48         |
| 52                                                                                                                                                             | 101       | 96.5     | 97.0     | 102       | 101      | 101      | 52         |
| 56                                                                                                                                                             | 96.9      | 91.6     | 92.0     | 98.3      | 96.1     | 96.3     | 56         |
| 60                                                                                                                                                             | 93.0      | 87.6     | 88.0     | 94.3      | 91.5     | 91.6     | 60         |
| 64                                                                                                                                                             | 89.3      | 83.4     | 84.0     | 90.3      | 87.3     | 87.8     | 64         |
| 68                                                                                                                                                             | 85.9      | 80.0     | 80.2     | 86.9      | 83.6     | 84.0     | 68         |
| 72                                                                                                                                                             | 81.8      | 76.3     | 77.2     | 82.6      | 80.2     | 80.4     | 72         |
| 76                                                                                                                                                             | 78.3      | 73.5     | 74.3     | 78.2      | 77.3     | 77.6     | 76         |
| 80                                                                                                                                                             | 73.4      | 71.1     | 71.5     | 72.3      | 74.4     | 74.8     | 80         |
| 84                                                                                                                                                             | 68.1      | 68.8     | 69.5     | 67.0      | 70.4     | 70.0     | 84         |
| 88                                                                                                                                                             | 63.3      | 66.5     | 66.3     | 62.2      | 65.5     | 65.1     | 88         |
| 92                                                                                                                                                             | 58.9      | 62.1     | 61.8     | 57.9      | 61.0     | 60.6     | 92         |
| 96                                                                                                                                                             | 54.9      | 58.0     | 57.6     | 53.8      | 56.8     | 56.5     | 96         |
| 100                                                                                                                                                            | 51.2      | 53.9     | 53.6     | 50.1      | 52.8     | 52.4     | 100        |
| 104                                                                                                                                                            | 47.7      | 50.2     | 49.8     | 46.6      | 49.1     | 48.7     | 104        |
| 108                                                                                                                                                            | 44.5      | 46.7     | 46.4     | 43.5      | 45.6     | 45.2     | 108        |
| 112                                                                                                                                                            | 41.6      | 43.5     | 43.2     | 40.5      | 42.4     | 42.0     | 112        |
| 116                                                                                                                                                            | 38.8      | 40.5     | 40.2     | 37.7      | 39.4     | 39.0     | 116        |
| 120                                                                                                                                                            |           |          |          | 35.1      | 36.6     | 36.2     | 120        |

**Load Chart of HJFJDB Configuration****SCC6500A Crawler Crane - Load Chart of HJFJDB Configuration 12/27**

Jib length 12m, the superlift radius 19m, the center counterweight 60t, the rear counterweight 210t,  
the superlift counterweight 0-310t, boom to jib angle 15°

| Radius (m) | Boom 126m |          |          | Boom 129m |          |          | Radius (m) |
|------------|-----------|----------|----------|-----------|----------|----------|------------|
|            | HJFJDB_4  | HJFJDB_5 | HJFJDB_7 | HJFJDB_4  | HJFJDB_5 | HJFJDB_7 |            |
| 18         | 134       | 143      | 150      | 129       | 136      | 144      | 18         |
| 19         | 134       | 143      | 150      | 129       | 136      | 144      | 19         |
| 20         | 134       | 143      | 150      | 129       | 136      | 144      | 20         |
| 22         | 134       | 143      | 150      | 129       | 136      | 143      | 22         |
| 24         | 134       | 143      | 150      | 129       | 136      | 143      | 24         |
| 26         | 134       | 143      | 148      | 129       | 136      | 143      | 26         |
| 28         | 134       | 141      | 145      | 129       | 136      | 143      | 28         |
| 30         | 133       | 138      | 142      | 128       | 136      | 142      | 30         |
| 32         | 133       | 134      | 138      | 128       | 136      | 138      | 32         |
| 34         | 132       | 131      | 135      | 127       | 134      | 135      | 34         |
| 36         | 130       | 127      | 132      | 124       | 131      | 132      | 36         |
| 38         | 126       | 125      | 129      | 121       | 128      | 129      | 38         |
| 40         | 120       | 122      | 125      | 118       | 125      | 125      | 40         |
| 44         | 115       | 116      | 120      | 115       | 119      | 121      | 44         |
| 48         | 109       | 110      | 115      | 110       | 114      | 116      | 48         |
| 52         | 103       | 105      | 111      | 105       | 109      | 111      | 52         |
| 56         | 99.3      | 99.6     | 107      | 101       | 104      | 107      | 56         |
| 60         | 95.3      | 95.2     | 102      | 96.3      | 99.1     | 103      | 60         |
| 64         | 91.8      | 90.9     | 99.6     | 92.4      | 94.9     | 99.6     | 64         |
| 68         | 88.4      | 87.0     | 94.7     | 87.4      | 90.8     | 93.5     | 68         |
| 72         | 83.9      | 83.5     | 87.3     | 82.7      | 86.8     | 86.1     | 72         |
| 76         | 78.3      | 80.5     | 80.8     | 77.2      | 80.2     | 79.6     | 76         |
| 80         | 72.5      | 75.4     | 74.8     | 71.4      | 74.2     | 73.6     | 80         |
| 84         | 67.2      | 70.0     | 69.4     | 66.2      | 68.9     | 68.2     | 84         |
| 88         | 62.4      | 65.1     | 64.5     | 61.3      | 64.0     | 63.3     | 88         |
| 92         | 58.0      | 60.6     | 60.1     | 57.0      | 59.5     | 58.9     | 92         |
| 96         | 54.0      | 56.5     | 55.9     | 52.9      | 55.4     | 54.7     | 96         |
| 100        | 50.3      | 52.5     | 51.9     | 49.3      | 51.4     | 50.7     | 100        |
| 104        | 46.8      | 48.8     | 48.2     | 45.8      | 47.7     | 47.0     | 104        |
| 108        | 43.7      | 45.3     | 44.7     | 42.6      | 44.2     | 43.5     | 108        |
| 112        | 40.7      | 42.1     | 41.5     | 39.7      | 41.0     | 40.3     | 112        |
| 116        | 37.9      | 39.1     | 38.5     | 36.8      | 38.0     | 37.3     | 116        |
| 120        | 34.7      | 36.3     | 35.7     | 34.3      | 35.2     | 34.5     | 120        |
| 124        |           |          | 32.6     | 31.9      | 32.6     | 31.9     | 124        |

Unit: t

### Load Chart of HJFJDB Configuration

| SCC6500A Crawler Crane - Load Chart of HJFJDB Configuration 13/27                                                                                              |           |          |          |           |          |          |            |
|----------------------------------------------------------------------------------------------------------------------------------------------------------------|-----------|----------|----------|-----------|----------|----------|------------|
| Jib length 12m, the superlift radius 19m, the center counterweight 60t, the rear counterweight 210t, the superlift counterweight 0-310t, boom to jib angle 15° |           |          |          |           |          |          |            |
| Radius (m)                                                                                                                                                     | Boom 132m |          |          | Boom 135m |          |          | Radius (m) |
|                                                                                                                                                                | HJFJDB_4  | HJFJDB_5 | HJFJDB_7 | HJFJDB_4  | HJFJDB_5 | HJFJDB_7 |            |
| 18                                                                                                                                                             | 124       | 130      | 135      | 118       | 123      | 130      | 18         |
| 19                                                                                                                                                             | 124       | 130      | 135      | 118       | 123      | 130      | 19         |
| 20                                                                                                                                                             | 124       | 130      | 137      | 118       | 123      | 130      | 20         |
| 22                                                                                                                                                             | 124       | 130      | 137      | 118       | 123      | 128      | 22         |
| 24                                                                                                                                                             | 124       | 130      | 136      | 118       | 123      | 128      | 24         |
| 26                                                                                                                                                             | 123       | 130      | 136      | 117       | 123      | 128      | 26         |
| 28                                                                                                                                                             | 123       | 130      | 135      | 117       | 123      | 128      | 28         |
| 30                                                                                                                                                             | 122       | 130      | 135      | 117       | 123      | 128      | 30         |
| 32                                                                                                                                                             | 122       | 130      | 135      | 116       | 123      | 128      | 32         |
| 34                                                                                                                                                             | 121       | 130      | 135      | 115       | 123      | 128      | 34         |
| 36                                                                                                                                                             | 120       | 130      | 134      | 114       | 123      | 128      | 36         |
| 38                                                                                                                                                             | 117       | 129      | 131      | 112       | 122      | 128      | 38         |
| 40                                                                                                                                                             | 115       | 128      | 129      | 110       | 121      | 128      | 40         |
| 44                                                                                                                                                             | 113       | 122      | 123      | 108       | 120      | 124      | 44         |
| 48                                                                                                                                                             | 109       | 117      | 118      | 105       | 118      | 118      | 48         |
| 52                                                                                                                                                             | 106       | 113      | 113      | 102       | 114      | 114      | 52         |
| 56                                                                                                                                                             | 102       | 108      | 109      | 99.2      | 110      | 110      | 56         |
| 60                                                                                                                                                             | 97.8      | 104      | 105      | 95.5      | 106      | 106      | 60         |
| 64                                                                                                                                                             | 93.8      | 98.8     | 101      | 91.7      | 100      | 99.8     | 64         |
| 68                                                                                                                                                             | 88.4      | 93.3     | 92.7     | 87.1      | 92.2     | 91.5     | 68         |
| 72                                                                                                                                                             | 82.9      | 86.0     | 85.4     | 81.8      | 84.9     | 84.2     | 72         |
| 76                                                                                                                                                             | 76.5      | 79.4     | 78.8     | 75.5      | 78.3     | 77.6     | 76         |
| 80                                                                                                                                                             | 70.7      | 73.5     | 72.9     | 69.7      | 72.4     | 71.7     | 80         |
| 84                                                                                                                                                             | 65.5      | 68.1     | 67.5     | 64.4      | 67.0     | 66.3     | 84         |
| 88                                                                                                                                                             | 60.7      | 63.2     | 62.6     | 59.6      | 62.1     | 61.4     | 88         |
| 92                                                                                                                                                             | 56.3      | 58.7     | 58.2     | 55.2      | 57.6     | 57.0     | 92         |
| 96                                                                                                                                                             | 52.2      | 54.6     | 54.0     | 51.2      | 53.5     | 52.9     | 96         |
| 100                                                                                                                                                            | 48.5      | 50.7     | 50.0     | 47.4      | 49.5     | 48.8     | 100        |
| 104                                                                                                                                                            | 45.1      | 46.9     | 46.3     | 44.0      | 45.8     | 45.1     | 104        |
| 108                                                                                                                                                            | 41.8      | 43.5     | 42.8     | 40.9      | 42.4     | 41.6     | 108        |
| 112                                                                                                                                                            | 38.9      | 40.3     | 39.6     | 37.8      | 39.2     | 38.4     | 112        |
| 116                                                                                                                                                            | 36.2      | 37.3     | 36.6     | 35.1      | 36.2     | 35.4     | 116        |
| 120                                                                                                                                                            | 33.5      | 34.5     | 33.8     | 32.5      | 33.4     | 32.6     | 120        |
| 124                                                                                                                                                            | 31.2      | 31.9     | 31.2     | 30.1      | 30.7     | 30.0     | 124        |
| 128                                                                                                                                                            | 28.8      | 29.4     | 28.7     | 27.8      | 28.3     | 27.5     | 128        |

**Load Chart of HJFJDB Configuration****SCC6500A Crawler Crane - Load Chart of HJFJDB Configuration 14/27**

Jib length 12m, the superlift radius 19m, the center counterweight 60t, the rear counterweight 210t,  
the superlift counterweight 0-310t, boom to jib angle 15°

| Radius (m) | Boom 138m |          |          | Boom 141m |          |          | Radius (m) |
|------------|-----------|----------|----------|-----------|----------|----------|------------|
|            | HJFJDB_4  | HJFJDB_5 | HJFJDB_7 | HJFJDB_4  | HJFJDB_5 | HJFJDB_7 |            |
| 19         | 112       | 116      | 124      | 107       | 111      | 118      | 19         |
| 20         | 112       | 116      | 123      | 107       | 111      | 118      | 20         |
| 22         | 111       | 116      | 123      | 106       | 111      | 118      | 22         |
| 24         | 111       | 116      | 123      | 106       | 111      | 118      | 24         |
| 26         | 110       | 116      | 123      | 105       | 111      | 118      | 26         |
| 28         | 110       | 116      | 123      | 105       | 110      | 118      | 28         |
| 30         | 109       | 116      | 123      | 105       | 110      | 118      | 30         |
| 32         | 109       | 116      | 123      | 104       | 110      | 118      | 32         |
| 34         | 108       | 115      | 123      | 103       | 109      | 118      | 34         |
| 36         | 107       | 114      | 123      | 102       | 108      | 118      | 36         |
| 38         | 106       | 114      | 123      | 101       | 108      | 118      | 38         |
| 40         | 104       | 113      | 123      | 100       | 107      | 117      | 40         |
| 44         | 102       | 111      | 122      | 98.3      | 106      | 116      | 44         |
| 48         | 101       | 110      | 119      | 97.3      | 104      | 115      | 48         |
| 52         | 99.3      | 108      | 114      | 95.3      | 103      | 113      | 52         |
| 56         | 97.3      | 105      | 110      | 93.8      | 101      | 110      | 56         |
| 60         | 94.4      | 101      | 106      | 91.4      | 99.7     | 106      | 60         |
| 64         | 91.4      | 96.8     | 99.5     | 88.8      | 98.2     | 98.3     | 64         |
| 68         | 86.8      | 92.4     | 91.2     | 85.1      | 91.2     | 90.0     | 68         |
| 72         | 80.3      | 85.0     | 83.9     | 80.9      | 83.9     | 82.7     | 72         |
| 76         | 74.0      | 78.5     | 77.3     | 74.5      | 77.4     | 76.2     | 76         |
| 80         | 68.3      | 72.6     | 71.4     | 68.7      | 71.4     | 70.2     | 80         |
| 84         | 63.2      | 67.2     | 66.0     | 62.4      | 66.1     | 64.9     | 84         |
| 88         | 58.5      | 62.3     | 61.2     | 55.7      | 61.2     | 60.0     | 88         |
| 92         | 54.2      | 57.8     | 56.7     | 51.5      | 56.7     | 55.5     | 92         |
| 96         | 50.2      | 53.7     | 52.6     | 47.7      | 52.6     | 51.4     | 96         |
| 100        | 46.6      | 49.9     | 48.6     | 44.2      | 48.8     | 47.5     | 100        |
| 104        | 43.2      | 46.2     | 44.9     | 41.0      | 45.1     | 43.7     | 104        |
| 108        | 40.1      | 42.7     | 41.5     | 37.9      | 41.6     | 40.3     | 108        |
| 112        | 37.2      | 39.5     | 38.2     | 35.1      | 38.4     | 37.1     | 112        |
| 116        | 34.5      | 36.5     | 35.3     | 32.5      | 35.4     | 34.1     | 116        |
| 120        | 31.0      | 33.8     | 32.5     | 29.0      | 32.7     | 31.3     | 120        |
| 124        | 27.6      | 31.1     | 29.8     | 24.7      | 30.0     | 28.7     | 124        |
| 128        | 24.4      | 28.7     | 27.4     | 19.3      | 27.6     | 26.2     | 128        |
| 132        | 19.1      | 26.4     | 25.1     | 13.1      | 25.3     | 23.9     | 132        |
| 136        |           |          |          |           | 23.1     | 21.7     | 136        |

Unit: t

### Load Chart of HJFJDB Configuration

| SCC6500A Crawler Crane - Load Chart of HJFJDB Configuration 15/27                                                                                              |           |          |          |           |          |          |            |
|----------------------------------------------------------------------------------------------------------------------------------------------------------------|-----------|----------|----------|-----------|----------|----------|------------|
| Jib length 12m, the superlift radius 19m, the center counterweight 60t, the rear counterweight 210t, the superlift counterweight 0-310t, boom to jib angle 15° |           |          |          |           |          |          |            |
| Radius (m)                                                                                                                                                     | Boom 144m |          |          | Boom 147m |          |          | Radius (m) |
|                                                                                                                                                                | HJFJDB_4  | HJFJDB_5 | HJFJDB_7 | HJFJDB_4  | HJFJDB_5 | HJFJDB_7 |            |
| 19                                                                                                                                                             | 101       | 105      | 112      | 96.2      | 99.9     | 107      | 19         |
| 20                                                                                                                                                             | 101       | 105      | 112      | 96.2      | 99.8     | 107      | 20         |
| 22                                                                                                                                                             | 100       | 105      | 112      | 95.9      | 99.8     | 107      | 22         |
| 24                                                                                                                                                             | 100       | 105      | 112      | 95.7      | 99.2     | 107      | 24         |
| 26                                                                                                                                                             | 99.9      | 105      | 112      | 95.4      | 98.6     | 107      | 26         |
| 28                                                                                                                                                             | 99.7      | 104      | 112      | 95.2      | 98.0     | 107      | 28         |
| 30                                                                                                                                                             | 99.4      | 103      | 112      | 94.9      | 97.4     | 107      | 30         |
| 32                                                                                                                                                             | 99.0      | 103      | 112      | 94.6      | 96.8     | 107      | 32         |
| 34                                                                                                                                                             | 98.7      | 102      | 112      | 94.4      | 96.2     | 107      | 34         |
| 36                                                                                                                                                             | 98.2      | 101      | 112      | 93.9      | 95.5     | 106      | 36         |
| 38                                                                                                                                                             | 97.7      | 101      | 112      | 92.5      | 94.9     | 106      | 38         |
| 40                                                                                                                                                             | 96.7      | 100      | 111      | 91.2      | 94.3     | 105      | 40         |
| 44                                                                                                                                                             | 95.0      | 98.6     | 110      | 88.7      | 93.0     | 104      | 44         |
| 48                                                                                                                                                             | 93.2      | 97.2     | 109      | 87.1      | 91.7     | 103      | 48         |
| 52                                                                                                                                                             | 91.2      | 95.8     | 107      | 85.0      | 90.4     | 101      | 52         |
| 56                                                                                                                                                             | 88.8      | 94.4     | 106      | 83.2      | 89.0     | 100      | 56         |
| 60                                                                                                                                                             | 86.2      | 92.9     | 105      | 81.4      | 87.8     | 98.8     | 60         |
| 64                                                                                                                                                             | 83.3      | 91.5     | 97.5     | 78.9      | 86.6     | 96.3     | 64         |
| 68                                                                                                                                                             | 80.6      | 90.0     | 89.3     | 76.7      | 85.3     | 88.1     | 68         |
| 72                                                                                                                                                             | 76.4      | 83.1     | 82.0     | 73.5      | 81.9     | 80.8     | 72         |
| 76                                                                                                                                                             | 71.5      | 76.6     | 75.4     | 69.6      | 75.3     | 74.2     | 76         |
| 80                                                                                                                                                             | 66.4      | 70.7     | 69.5     | 64.3      | 69.4     | 68.3     | 80         |
| 84                                                                                                                                                             | 61.3      | 65.3     | 64.1     | 59.4      | 64.0     | 62.9     | 84         |
| 88                                                                                                                                                             | 56.4      | 60.4     | 59.2     | 54.9      | 59.2     | 58.1     | 88         |
| 92                                                                                                                                                             | 51.6      | 55.9     | 54.8     | 50.3      | 54.7     | 53.6     | 92         |
| 96                                                                                                                                                             | 47.4      | 51.8     | 50.7     | 46.2      | 50.6     | 49.5     | 96         |
| 100                                                                                                                                                            | 43.5      | 48.1     | 46.8     | 42.0      | 46.8     | 45.6     | 100        |
| 104                                                                                                                                                            | 39.6      | 44.4     | 43.0     | 38.3      | 43.1     | 41.8     | 104        |
| 108                                                                                                                                                            | 36.2      | 40.9     | 39.6     | 34.7      | 39.6     | 38.4     | 108        |
| 112                                                                                                                                                            | 32.8      | 37.7     | 36.4     | 30.4      | 36.4     | 35.2     | 112        |
| 116                                                                                                                                                            | 28.0      | 34.7     | 33.4     | 26.3      | 33.4     | 32.2     | 116        |
| 120                                                                                                                                                            | 24.0      | 31.9     | 30.6     | 21.1      | 30.7     | 29.4     | 120        |
| 124                                                                                                                                                            | 20.2      | 29.3     | 28.0     | 15.5      | 28.0     | 26.8     | 124        |
| 128                                                                                                                                                            | 14.5      | 26.9     | 25.5     | 9.2       | 25.6     | 24.3     | 128        |
| 132                                                                                                                                                            | 7.9       | 24.5     | 23.2     |           | 23.3     | 22.0     | 132        |
| 136                                                                                                                                                            |           | 22.4     | 21.0     |           | 21.1     | 19.8     | 136        |
| 140                                                                                                                                                            |           |          |          |           | 19.0     | 17.8     | 140        |

**Load Chart of HJFJDB Configuration****SCC6500A Crawler Crane - Load Chart of HJFJDB Configuration 16/27**

Jib length 12m, the superlift radius 19m, the center counterweight 60t, the rear counterweight 210t,  
the superlift counterweight 0-310t, boom to jib angle 15°

| Radius (m) | Boom 150m |          |          | Boom 153m |          |          | Radius (m) |
|------------|-----------|----------|----------|-----------|----------|----------|------------|
|            | HJFJDB_4  | HJFJDB_5 | HJFJDB_7 | HJFJDB_4  | HJFJDB_5 | HJFJDB_7 |            |
| 20         | 88.7      | 93.7     | 102      | 83.7      | 87.7     | 96.9     | 20         |
| 22         | 88.1      | 93.1     | 102      | 83.3      | 88.0     | 96.5     | 22         |
| 24         | 87.4      | 92.5     | 102      | 82.8      | 87.4     | 96.0     | 24         |
| 26         | 86.8      | 91.9     | 101      | 82.2      | 86.8     | 95.9     | 26         |
| 28         | 86.1      | 91.2     | 101      | 81.5      | 86.2     | 95.3     | 28         |
| 30         | 85.5      | 90.6     | 100      | 80.9      | 85.5     | 95.0     | 30         |
| 32         | 84.9      | 90.0     | 99.7     | 80.2      | 84.9     | 94.4     | 32         |
| 34         | 84.2      | 89.3     | 99.1     | 79.6      | 84.3     | 93.8     | 34         |
| 36         | 83.6      | 88.9     | 98.5     | 79.0      | 83.7     | 93.2     | 36         |
| 38         | 82.9      | 88.3     | 97.9     | 78.3      | 83.0     | 92.7     | 38         |
| 40         | 82.5      | 87.7     | 97.3     | 77.7      | 82.4     | 92.1     | 40         |
| 44         | 81.2      | 86.4     | 96.1     | 76.5      | 81.2     | 91.0     | 44         |
| 48         | 80.0      | 85.2     | 95.2     | 75.3      | 80.0     | 89.8     | 48         |
| 52         | 78.8      | 84.0     | 94.1     | 74.2      | 78.8     | 88.7     | 52         |
| 56         | 77.6      | 82.7     | 92.9     | 73.0      | 77.7     | 87.6     | 56         |
| 60         | 76.4      | 81.5     | 91.8     | 71.9      | 76.5     | 86.5     | 60         |
| 64         | 75.3      | 80.3     | 90.7     | 70.8      | 75.4     | 85.4     | 64         |
| 68         | 74.1      | 79.1     | 87.8     | 69.7      | 74.3     | 84.3     | 68         |
| 72         | 73.0      | 77.9     | 80.4     | 68.7      | 73.2     | 79.2     | 72         |
| 76         | 71.8      | 75.6     | 73.9     | 67.6      | 72.1     | 72.7     | 76         |
| 80         | 70.7      | 69.7     | 68.0     | 66.6      | 68.6     | 66.8     | 80         |
| 84         | 65.4      | 64.3     | 62.6     | 64.3      | 63.2     | 61.4     | 84         |
| 88         | 60.5      | 59.4     | 57.7     | 59.5      | 58.3     | 56.5     | 88         |
| 92         | 56.1      | 55.0     | 53.3     | 55.0      | 53.9     | 52.1     | 92         |
| 96         | 52.0      | 50.9     | 49.2     | 50.9      | 49.8     | 48.0     | 96         |
| 100        | 48.2      | 47.1     | 45.4     | 47.1      | 46.0     | 44.2     | 100        |
| 104        | 44.7      | 43.5     | 41.6     | 43.7      | 42.4     | 40.4     | 104        |
| 108        | 41.3      | 40.1     | 38.2     | 40.3      | 39.0     | 37.0     | 108        |
| 112        | 38.1      | 36.9     | 35.0     | 37.1      | 35.8     | 33.8     | 112        |
| 116        | 35.1      | 33.9     | 32.0     | 34.1      | 32.8     | 30.8     | 116        |
| 120        | 32.3      | 31.1     | 29.2     | 31.3      | 30.0     | 28.0     | 120        |
| 124        | 29.7      | 28.5     | 26.6     | 28.7      | 27.4     | 25.4     | 124        |
| 128        | 27.3      | 26.0     | 24.1     | 26.2      | 25.0     | 22.9     | 128        |
| 132        | 25.0      | 23.7     | 21.8     | 23.9      | 22.7     | 20.6     | 132        |
| 136        | 22.8      | 21.6     | 19.6     | 21.8      | 20.5     | 18.4     | 136        |
| 140        | 20.8      | 19.5     | 17.6     | 19.7      | 18.4     | 16.4     | 140        |
| 144        | 18.8      | 17.6     | 15.6     | 17.8      | 16.5     | 14.4     | 144        |



Unit: t

### Load Chart of HJFJDB Configuration

| SCC6500A Crawler Crane - Load Chart of HJFJDB Configuration 17/27                                                                                              |           |          |          |           |          |          |            |
|----------------------------------------------------------------------------------------------------------------------------------------------------------------|-----------|----------|----------|-----------|----------|----------|------------|
| Jib length 12m, the superlift radius 19m, the center counterweight 60t, the rear counterweight 210t, the superlift counterweight 0-310t, boom to jib angle 15° |           |          |          |           |          |          |            |
| Radius (m)                                                                                                                                                     | Boom 156m |          |          | Boom 159m |          |          | Radius (m) |
|                                                                                                                                                                | HJFJDB_4  | HJFJDB_5 | HJFJDB_7 | HJFJDB_4  | HJFJDB_5 | HJFJDB_7 |            |
| 20                                                                                                                                                             | 79.2      | 83.2     | 91.7     |           |          |          | 20         |
| 22                                                                                                                                                             | 78.9      | 83.0     | 91.6     | 75.2      | 78.1     | 86.6     | 22         |
| 24                                                                                                                                                             | 78.2      | 82.4     | 91.5     | 74.6      | 77.5     | 86.1     | 24         |
| 26                                                                                                                                                             | 77.6      | 81.8     | 91.0     | 74.0      | 76.8     | 85.5     | 26         |
| 28                                                                                                                                                             | 76.9      | 81.1     | 90.4     | 73.4      | 76.1     | 84.9     | 28         |
| 30                                                                                                                                                             | 76.3      | 80.5     | 89.9     | 72.8      | 75.5     | 84.4     | 30         |
| 32                                                                                                                                                             | 75.6      | 79.8     | 89.3     | 72.2      | 74.8     | 83.8     | 32         |
| 34                                                                                                                                                             | 75.0      | 79.2     | 88.7     | 71.6      | 74.4     | 83.2     | 34         |
| 36                                                                                                                                                             | 74.4      | 78.6     | 88.2     | 71.0      | 73.7     | 82.6     | 36         |
| 38                                                                                                                                                             | 73.7      | 78.0     | 87.6     | 70.3      | 73.1     | 82.0     | 38         |
| 40                                                                                                                                                             | 73.1      | 77.3     | 87.0     | 69.7      | 72.5     | 81.4     | 40         |
| 44                                                                                                                                                             | 71.9      | 76.1     | 85.9     | 68.5      | 71.3     | 80.3     | 44         |
| 48                                                                                                                                                             | 70.8      | 75.0     | 84.8     | 67.5      | 70.2     | 79.2     | 48         |
| 52                                                                                                                                                             | 69.6      | 74.0     | 83.7     | 66.4      | 69.0     | 78.3     | 52         |
| 56                                                                                                                                                             | 68.7      | 72.9     | 82.6     | 65.3      | 68.0     | 77.3     | 56         |
| 60                                                                                                                                                             | 67.6      | 71.8     | 81.6     | 64.2      | 66.9     | 76.2     | 60         |
| 64                                                                                                                                                             | 66.6      | 70.8     | 80.5     | 63.1      | 65.9     | 75.2     | 64         |
| 68                                                                                                                                                             | 65.6      | 69.7     | 79.4     | 62.1      | 64.8     | 74.2     | 68         |
| 72                                                                                                                                                             | 64.6      | 68.7     | 78.4     | 61.0      | 63.9     | 73.2     | 72         |
| 76                                                                                                                                                             | 63.6      | 67.6     | 71.9     | 57.8      | 63.0     | 70.8     | 76         |
| 80                                                                                                                                                             | 62.6      | 66.6     | 66.0     | 52.3      | 62.1     | 64.9     | 80         |
| 84                                                                                                                                                             | 61.7      | 62.4     | 60.7     | 47.7      | 61.1     | 59.5     | 84         |
| 88                                                                                                                                                             | 58.7      | 57.5     | 55.8     | 43.7      | 56.5     | 54.6     | 88         |
| 92                                                                                                                                                             | 54.2      | 53.1     | 51.3     | 39.3      | 52.0     | 50.2     | 92         |
| 96                                                                                                                                                             | 50.1      | 49.0     | 47.2     | 35.8      | 47.9     | 46.1     | 96         |
| 100                                                                                                                                                            | 46.4      | 45.2     | 43.5     | 32.2      | 44.1     | 42.3     | 100        |
| 104                                                                                                                                                            | 42.9      | 41.7     | 39.7     | 29.3      | 40.6     | 38.5     | 104        |
| 108                                                                                                                                                            | 39.5      | 38.2     | 36.3     | 26.5      | 37.1     | 35.1     | 108        |
| 112                                                                                                                                                            | 36.3      | 35.0     | 33.0     | 23.2      | 33.9     | 31.9     | 112        |
| 116                                                                                                                                                            | 33.3      | 32.1     | 30.1     | 20.6      | 31.0     | 28.9     | 116        |
| 120                                                                                                                                                            | 30.5      | 29.3     | 27.3     | 18.6      | 28.2     | 26.1     | 120        |
| 124                                                                                                                                                            | 27.9      | 26.7     | 24.7     | 16.1      | 25.6     | 23.5     | 124        |
| 128                                                                                                                                                            | 25.5      | 24.2     | 22.2     | 13.7      | 23.1     | 21.0     | 128        |
| 132                                                                                                                                                            | 23.2      | 21.9     | 19.9     | 11.4      | 20.8     | 18.7     | 132        |
| 136                                                                                                                                                            | 21.0      | 19.7     | 17.7     | 9.6       | 18.6     | 16.6     | 136        |
| 140                                                                                                                                                            | 19.0      | 17.7     | 15.7     | 7.9       | 16.6     | 14.5     | 140        |
| 144                                                                                                                                                            | 17.0      | 15.8     | 13.7     | 5.8       | 14.7     | 12.6     | 144        |
| 148                                                                                                                                                            | 15.2      | 13.9     | 11.9     |           | 12.8     | 10.7     | 148        |

**Load Chart of HJFJDB Configuration****SCC6500A Crawler Crane - Load Chart of HJFJDB Configuration 18/27**

Jib length 12m, the superlift radius 19m, the center counterweight 60t, the rear counterweight 210t,  
the superlift counterweight 0-310t, boom to jib angle 15°

| Radius (m) | Boom 162m |          | Boom 165m |          | Radius (m) |
|------------|-----------|----------|-----------|----------|------------|
|            | HJFJDB_5  | HJFJDB_7 | HJFJDB_5  | HJFJDB_7 |            |
| 22         | 74.2      | 83.8     | 69.9      | 79.2     | 22         |
| 24         | 73.6      | 83.3     | 69.4      | 78.8     | 24         |
| 26         | 73.1      | 82.9     | 68.8      | 78.3     | 26         |
| 28         | 72.5      | 82.4     | 68.3      | 77.9     | 28         |
| 30         | 72.0      | 81.9     | 67.7      | 77.4     | 30         |
| 32         | 71.4      | 81.5     | 67.1      | 77.0     | 32         |
| 34         | 70.9      | 81.0     | 66.6      | 76.5     | 34         |
| 36         | 70.5      | 80.5     | 66.0      | 76.0     | 36         |
| 38         | 70.0      | 80.0     | 65.5      | 75.6     | 38         |
| 40         | 69.5      | 79.5     | 65.0      | 75.3     | 40         |
| 44         | 68.4      | 78.6     | 63.9      | 74.4     | 44         |
| 48         | 67.4      | 77.7     | 63.0      | 73.5     | 48         |
| 52         | 66.5      | 76.7     | 62.1      | 72.6     | 52         |
| 56         | 65.5      | 76.0     | 61.1      | 71.7     | 56         |
| 60         | 64.6      | 75.1     | 60.3      | 70.7     | 60         |
| 64         | 63.7      | 74.2     | 59.4      | 69.8     | 64         |
| 68         | 62.8      | 73.3     | 58.6      | 68.9     | 68         |
| 72         | 61.9      | 72.4     | 57.8      | 68.0     | 72         |
| 76         | 61.0      | 71.0     | 56.9      | 67.1     | 76         |
| 80         | 60.2      | 65.1     | 56.1      | 64.0     | 80         |
| 84         | 59.4      | 59.8     | 55.3      | 58.6     | 84         |
| 88         | 56.9      | 54.9     | 54.5      | 53.8     | 88         |
| 92         | 52.4      | 50.5     | 51.4      | 49.3     | 92         |
| 96         | 48.4      | 46.4     | 47.3      | 45.2     | 96         |
| 100        | 44.6      | 42.6     | 43.5      | 41.4     | 100        |
| 104        | 41.1      | 39.0     | 40.0      | 37.9     | 104        |
| 108        | 37.8      | 35.6     | 36.7      | 34.4     | 108        |
| 112        | 34.6      | 32.3     | 33.5      | 31.2     | 112        |
| 116        | 31.6      | 29.4     | 30.5      | 28.2     | 116        |
| 120        | 28.8      | 26.6     | 27.7      | 25.4     | 120        |
| 124        | 26.2      | 24.0     | 25.1      | 22.8     | 124        |
| 128        | 23.8      | 21.5     | 22.7      | 20.3     | 128        |
| 132        | 21.5      | 19.2     | 20.4      | 18.0     | 132        |
| 136        | 19.3      | 17.0     | 18.2      | 15.9     | 136        |
| 140        | 17.3      | 15.0     | 16.2      | 13.8     | 140        |
| 144        | 15.3      | 13.1     | 14.3      | 11.9     | 144        |
| 148        | 13.5      | 11.2     | 12.4      | 10.1     | 148        |
| 152        | 11.8      | 9.5      | 10.7      | 8.3      | 152        |
| 156        |           |          | 9.0       | 6.7      | 156        |

Unit: t

### Load Chart of HJFJDB Configuration

| SCC6500A Crawler Crane - Load Chart of HJFJDB Configuration 19/27                                                                                              |           |          |          |           |          |          |            |
|----------------------------------------------------------------------------------------------------------------------------------------------------------------|-----------|----------|----------|-----------|----------|----------|------------|
| Jib length 12m, the superlift radius 19m, the center counterweight 60t, the rear counterweight 210t, the superlift counterweight 0-310t, boom to jib angle 20° |           |          |          |           |          |          |            |
| Radius (m)                                                                                                                                                     | Boom 114m |          |          | Boom 117m |          |          | Radius (m) |
|                                                                                                                                                                | HJFJDB_4  | HJFJDB_5 | HJFJDB_7 | HJFJDB_4  | HJFJDB_5 | HJFJDB_7 |            |
| 18                                                                                                                                                             | 129       | 130      | 133      | 130       | 131      | 133      | 18         |
| 19                                                                                                                                                             | 127       | 127      | 132      | 127       | 128      | 131      | 19         |
| 20                                                                                                                                                             | 125       | 126      | 130      | 125       | 126      | 129      | 20         |
| 22                                                                                                                                                             | 121       | 122      | 127      | 121       | 122      | 126      | 22         |
| 24                                                                                                                                                             | 117       | 118      | 124      | 118       | 118      | 123      | 24         |
| 26                                                                                                                                                             | 114       | 115      | 120      | 114       | 115      | 120      | 26         |
| 28                                                                                                                                                             | 110       | 111      | 117      | 111       | 112      | 118      | 28         |
| 30                                                                                                                                                             | 107       | 107      | 114      | 108       | 109      | 115      | 30         |
| 32                                                                                                                                                             | 104       | 104      | 112      | 105       | 106      | 112      | 32         |
| 34                                                                                                                                                             | 100       | 100      | 109      | 101       | 102      | 110      | 34         |
| 36                                                                                                                                                             | 96.6      | 96.8     | 107      | 97.6      | 97.9     | 107      | 36         |
| 38                                                                                                                                                             | 93.2      | 93.2     | 104      | 94.2      | 94.5     | 105      | 38         |
| 40                                                                                                                                                             | 89.7      | 89.7     | 102      | 90.7      | 90.7     | 102      | 40         |
| 44                                                                                                                                                             | 85.8      | 85.8     | 98.5     | 86.7      | 86.7     | 98.2     | 44         |
| 48                                                                                                                                                             | 81.8      | 81.8     | 94.3     | 83.1      | 83.5     | 95.1     | 48         |
| 52                                                                                                                                                             | 78.9      | 78.9     | 91.1     | 79.9      | 79.9     | 91.9     | 52         |
| 56                                                                                                                                                             | 76.2      | 76.7     | 87.9     | 76.9      | 76.9     | 88.7     | 56         |
| 60                                                                                                                                                             | 73.6      | 73.8     | 84.8     | 74.3      | 74.7     | 85.6     | 60         |
| 64                                                                                                                                                             | 71.1      | 71.5     | 82.6     | 71.5      | 71.7     | 83.0     | 64         |
| 68                                                                                                                                                             | 68.8      | 68.8     | 80.0     | 69.6      | 69.9     | 80.4     | 68         |
| 72                                                                                                                                                             | 66.6      | 66.9     | 77.4     | 67.6      | 67.8     | 77.5     | 72         |
| 76                                                                                                                                                             | 64.7      | 64.9     | 75.3     | 65.7      | 65.7     | 74.6     | 76         |
| 80                                                                                                                                                             | 63.0      | 63.5     | 73.8     | 64.0      | 64.5     | 72.6     | 80         |
| 84                                                                                                                                                             | 61.5      | 60.8     | 72.2     | 62.3      | 63.9     | 70.3     | 84         |
| 88                                                                                                                                                             | 60.3      | 59.4     | 68.4     | 60.8      | 62.0     | 67.3     | 88         |
| 92                                                                                                                                                             | 57.9      | 57.6     | 63.9     | 58.1      | 60.3     | 62.8     | 92         |
| 96                                                                                                                                                             | 55.8      | 56.7     | 59.6     | 55.8      | 58.8     | 58.4     | 96         |
| 100                                                                                                                                                            | 53.1      | 55.8     | 55.5     | 52.0      | 54.7     | 54.4     | 100        |
| 104                                                                                                                                                            | 49.6      | 52.1     | 51.8     | 48.6      | 51.0     | 50.6     | 104        |
| 108                                                                                                                                                            | 46.4      | 48.6     | 48.3     | 45.4      | 47.5     | 47.1     | 108        |
| 112                                                                                                                                                            | 43.4      | 45.3     | 45.0     | 42.3      | 44.2     | 43.9     | 112        |

## Load Chart of HJFJDB Configuration

### SCC6500A Crawler Crane - Load Chart of HJFJDB Configuration 20/27

Jib length 12m, the superlift radius 19m, the center counterweight 60t, the rear counterweight 210t,  
the superlift counterweight 0-310t, boom to jib angle 20°

| Radius (m) | Boom 120m |          |          | Boom 123m |          |          | Radius (m) |
|------------|-----------|----------|----------|-----------|----------|----------|------------|
|            | HJFJDB_4  | HJFJDB_5 | HJFJDB_7 | HJFJDB_4  | HJFJDB_5 | HJFJDB_7 |            |
| 18         | 130       | 133      | 132      | 130       | 133      | 136      | 18         |
| 19         | 128       | 132      | 132      | 128       | 131      | 134      | 19         |
| 20         | 126       | 130      | 131      | 126       | 130      | 132      | 20         |
| 22         | 122       | 126      | 128      | 123       | 127      | 129      | 22         |
| 24         | 118       | 123      | 124      | 119       | 124      | 125      | 24         |
| 26         | 115       | 120      | 121      | 116       | 121      | 123      | 26         |
| 28         | 112       | 118      | 119      | 113       | 118      | 120      | 28         |
| 30         | 109       | 114      | 116      | 110       | 115      | 117      | 30         |
| 32         | 105       | 112      | 114      | 107       | 113      | 114      | 32         |
| 34         | 101       | 110      | 111      | 103       | 111      | 112      | 34         |
| 36         | 97.1      | 107      | 109      | 99.1      | 108      | 109      | 36         |
| 38         | 94.2      | 105      | 106      | 95.6      | 106      | 107      | 38         |
| 40         | 91.1      | 103      | 105      | 92.1      | 104      | 105      | 40         |
| 44         | 87.5      | 98.6     | 99.8     | 88.2      | 100      | 101      | 44         |
| 48         | 83.9      | 95.5     | 95.8     | 84.6      | 96.2     | 97.3     | 48         |
| 52         | 80.4      | 91.5     | 91.1     | 81.3      | 92.5     | 93.6     | 52         |
| 56         | 77.7      | 87.1     | 86.9     | 78.4      | 89.5     | 90.6     | 56         |
| 60         | 75.1      | 83.3     | 83.1     | 75.8      | 86.6     | 86.6     | 60         |
| 64         | 72.5      | 79.9     | 79.7     | 73.0      | 83.4     | 83.0     | 64         |
| 68         | 70.2      | 77.0     | 76.1     | 71.1      | 80.2     | 79.9     | 68         |
| 72         | 68.1      | 74.1     | 73.3     | 69.1      | 77.4     | 76.8     | 72         |
| 76         | 66.2      | 71.3     | 71.0     | 67.1      | 74.7     | 74.1     | 76         |
| 80         | 64.5      | 69.0     | 68.7     | 65.2      | 72.0     | 71.9     | 80         |
| 84         | 62.8      | 67.1     | 66.5     | 63.5      | 70.2     | 69.4     | 84         |
| 88         | 60.3      | 65.3     | 64.7     | 60.5      | 65.7     | 65.4     | 88         |
| 92         | 57.9      | 62.3     | 62.0     | 58.1      | 61.2     | 60.9     | 92         |
| 96         | 55.1      | 58.1     | 57.8     | 54.0      | 57.0     | 56.6     | 96         |
| 100        | 51.4      | 54.1     | 53.7     | 50.3      | 52.9     | 52.6     | 100        |
| 104        | 47.9      | 50.3     | 50.0     | 46.8      | 49.2     | 48.8     | 104        |
| 108        | 44.7      | 46.8     | 46.5     | 43.6      | 45.7     | 45.3     | 108        |
| 112        | 41.7      | 43.6     | 43.2     | 40.6      | 42.5     | 42.1     | 112        |
| 116        | 38.8      | 40.5     | 40.2     | 37.8      | 39.4     | 39.1     | 116        |
| 120        |           |          |          | 35.2      | 36.6     | 36.2     | 120        |

Unit: t

### Load Chart of HJFJDB Configuration

| SCC6500A Crawler Crane - Load Chart of HJFJDB Configuration 21/27                                                                                              |           |          |          |           |          |          |            |
|----------------------------------------------------------------------------------------------------------------------------------------------------------------|-----------|----------|----------|-----------|----------|----------|------------|
| Jib length 12m, the superlift radius 19m, the center counterweight 60t, the rear counterweight 210t, the superlift counterweight 0-310t, boom to jib angle 20° |           |          |          |           |          |          |            |
| Radius (m)                                                                                                                                                     | Boom 126m |          |          | Boom 129m |          |          | Radius (m) |
|                                                                                                                                                                | HJFJDB_4  | HJFJDB_5 | HJFJDB_7 | HJFJDB_4  | HJFJDB_5 | HJFJDB_7 |            |
| 19                                                                                                                                                             | 127       | 133      | 134      | 125       | 133      | 133      | 19         |
| 20                                                                                                                                                             | 127       | 131      | 132      | 125       | 133      | 131      | 20         |
| 22                                                                                                                                                             | 123       | 128      | 130      | 124       | 129      | 128      | 22         |
| 24                                                                                                                                                             | 120       | 126      | 126      | 120       | 127      | 125      | 24         |
| 26                                                                                                                                                             | 116       | 122      | 123      | 117       | 124      | 123      | 26         |
| 28                                                                                                                                                             | 113       | 120      | 121      | 114       | 120      | 120      | 28         |
| 30                                                                                                                                                             | 110       | 117      | 118      | 111       | 118      | 117      | 30         |
| 32                                                                                                                                                             | 107       | 115      | 115      | 108       | 116      | 115      | 32         |
| 34                                                                                                                                                             | 103       | 112      | 113      | 105       | 113      | 113      | 34         |
| 36                                                                                                                                                             | 99.2      | 110      | 110      | 100       | 111      | 110      | 36         |
| 38                                                                                                                                                             | 95.8      | 108      | 108      | 96.8      | 109      | 108      | 38         |
| 40                                                                                                                                                             | 92.6      | 106      | 106      | 93.6      | 107      | 106      | 40         |
| 44                                                                                                                                                             | 89.0      | 101      | 102      | 89.7      | 103      | 102      | 44         |
| 48                                                                                                                                                             | 85.4      | 97.9     | 98.2     | 86.0      | 99.1     | 98.4     | 48         |
| 52                                                                                                                                                             | 81.8      | 94.4     | 94.6     | 82.8      | 95.8     | 95.0     | 52         |
| 56                                                                                                                                                             | 79.2      | 91.8     | 91.9     | 79.9      | 92.4     | 91.7     | 56         |
| 60                                                                                                                                                             | 76.5      | 88.4     | 88.4     | 77.1      | 89.7     | 89.1     | 60         |
| 64                                                                                                                                                             | 74.0      | 85.8     | 85.7     | 74.5      | 86.5     | 86.6     | 64         |
| 68                                                                                                                                                             | 71.6      | 83.2     | 83.0     | 72.1      | 83.9     | 84.0     | 68         |
| 72                                                                                                                                                             | 69.6      | 81.4     | 79.6     | 70.1      | 82.1     | 81.5     | 72         |
| 76                                                                                                                                                             | 67.6      | 78.9     | 77.1     | 68.1      | 79.6     | 79.8     | 76         |
| 80                                                                                                                                                             | 65.7      | 75.7     | 74.6     | 66.4      | 74.6     | 74.0     | 80         |
| 84                                                                                                                                                             | 63.0      | 70.3     | 69.7     | 63.7      | 69.2     | 68.5     | 84         |
| 88                                                                                                                                                             | 60.7      | 65.3     | 64.8     | 60.6      | 64.2     | 63.6     | 88         |
| 92                                                                                                                                                             | 57.1      | 60.8     | 60.3     | 57.2      | 59.7     | 59.1     | 92         |
| 96                                                                                                                                                             | 53.1      | 56.7     | 56.1     | 53.2      | 55.6     | 54.9     | 96         |
| 100                                                                                                                                                            | 49.5      | 52.7     | 52.1     | 49.5      | 51.6     | 50.9     | 100        |
| 104                                                                                                                                                            | 46.1      | 48.9     | 48.3     | 46.0      | 47.8     | 47.1     | 104        |
| 108                                                                                                                                                            | 42.9      | 45.4     | 44.8     | 42.8      | 44.3     | 43.6     | 108        |
| 112                                                                                                                                                            | 40.0      | 42.2     | 41.6     | 39.8      | 41.1     | 40.4     | 112        |
| 116                                                                                                                                                            | 37.3      | 39.2     | 38.6     | 37.0      | 38.1     | 37.4     | 116        |
| 120                                                                                                                                                            | 34.7      | 36.4     | 35.7     | 34.4      | 35.3     | 34.6     | 120        |
| 124                                                                                                                                                            |           |          |          | 31.9      | 32.6     | 31.9     | 124        |

**Load Chart of HJFJDB Configuration****SCC6500A Crawler Crane - Load Chart of HJFJDB Configuration 22/27**

Jib length 12m, the superlift radius 19m, the center counterweight 60t, the rear counterweight 210t,  
the superlift counterweight 0-310t, boom to jib angle 20°

| Radius (m) | Boom 132m |          |          | Boom 135m |          |          | Radius (m) |
|------------|-----------|----------|----------|-----------|----------|----------|------------|
|            | HJFJDB_4  | HJFJDB_5 | HJFJDB_7 | HJFJDB_4  | HJFJDB_5 | HJFJDB_7 |            |
| 19         | 120       | 127      | 131      | 115       | 121      | 126      | 19         |
| 20         | 120       | 127      | 131      | 115       | 121      | 126      | 20         |
| 22         | 120       | 127      | 128      | 115       | 121      | 126      | 22         |
| 24         | 120       | 127      | 125      | 114       | 121      | 126      | 24         |
| 26         | 117       | 124      | 123      | 114       | 121      | 123      | 26         |
| 28         | 114       | 122      | 121      | 114       | 121      | 121      | 28         |
| 30         | 111       | 119      | 118      | 112       | 120      | 119      | 30         |
| 32         | 108       | 116      | 116      | 109       | 117      | 117      | 32         |
| 34         | 104       | 114      | 114      | 106       | 115      | 114      | 34         |
| 36         | 101       | 112      | 112      | 101       | 113      | 112      | 36         |
| 38         | 97.6      | 110      | 110      | 98.0      | 110      | 110      | 38         |
| 40         | 94.1      | 108      | 108      | 95.1      | 108      | 108      | 40         |
| 44         | 90.5      | 104      | 104      | 91.1      | 104      | 104      | 44         |
| 48         | 86.8      | 99.6     | 99.8     | 87.5      | 101      | 100      | 48         |
| 52         | 83.3      | 96.4     | 96.6     | 84.3      | 97.6     | 97.1     | 52         |
| 56         | 80.4      | 93.1     | 93.5     | 81.3      | 93.9     | 94.1     | 56         |
| 60         | 77.9      | 89.9     | 90.3     | 78.5      | 91.6     | 91.0     | 60         |
| 64         | 75.6      | 87.5     | 88.0     | 76.0      | 88.6     | 88.2     | 64         |
| 68         | 73.1      | 85.0     | 85.6     | 73.6      | 85.6     | 85.9     | 68         |
| 72         | 70.9      | 82.6     | 83.2     | 71.5      | 83.3     | 83.6     | 72         |
| 76         | 68.6      | 79.8     | 79.2     | 69.6      | 78.7     | 78.0     | 76         |
| 80         | 65.9      | 73.8     | 73.2     | 66.6      | 72.7     | 72.1     | 80         |
| 84         | 63.7      | 68.4     | 67.8     | 63.7      | 67.3     | 66.7     | 84         |
| 88         | 60.3      | 63.5     | 62.9     | 59.9      | 62.4     | 61.7     | 88         |
| 92         | 56.5      | 59.0     | 58.4     | 55.5      | 57.9     | 57.2     | 92         |
| 96         | 52.4      | 54.9     | 54.3     | 51.5      | 53.7     | 53.1     | 96         |
| 100        | 48.7      | 50.9     | 50.2     | 47.7      | 49.8     | 49.0     | 100        |
| 104        | 45.3      | 47.1     | 46.5     | 44.2      | 46.0     | 45.3     | 104        |
| 108        | 42.0      | 43.6     | 43.0     | 41.1      | 42.5     | 41.8     | 108        |
| 112        | 39.1      | 40.4     | 39.8     | 38.0      | 39.3     | 38.6     | 112        |
| 116        | 36.3      | 37.4     | 36.7     | 35.3      | 36.3     | 35.6     | 116        |
| 120        | 33.7      | 34.6     | 33.9     | 32.6      | 33.5     | 32.7     | 120        |
| 124        | 31.3      | 31.9     | 31.3     | 30.2      | 30.8     | 30.1     | 124        |
| 128        | 28.9      | 29.4     | 28.8     | 27.9      | 28.3     | 27.6     | 128        |

Unit: t

### Load Chart of HJFJDB Configuration

| SCC6500A Crawler Crane - Load Chart of HJFJDB Configuration 23/27                                                                                              |           |          |          |           |          |          |            |
|----------------------------------------------------------------------------------------------------------------------------------------------------------------|-----------|----------|----------|-----------|----------|----------|------------|
| Jib length 12m, the superlift radius 19m, the center counterweight 60t, the rear counterweight 210t, the superlift counterweight 0-310t, boom to jib angle 20° |           |          |          |           |          |          |            |
| Radius (m)                                                                                                                                                     | Boom 138m |          |          | Boom 141m |          |          | Radius (m) |
|                                                                                                                                                                | HJFJDB_4  | HJFJDB_5 | HJFJDB_7 | HJFJDB_4  | HJFJDB_5 | HJFJDB_7 |            |
| 20                                                                                                                                                             | 110       | 115      | 121      | 105       | 109      | 116      | 20         |
| 22                                                                                                                                                             | 110       | 114      | 121      | 105       | 109      | 116      | 22         |
| 24                                                                                                                                                             | 110       | 114      | 121      | 105       | 109      | 116      | 24         |
| 26                                                                                                                                                             | 109       | 114      | 121      | 104       | 109      | 116      | 26         |
| 28                                                                                                                                                             | 109       | 114      | 121      | 104       | 109      | 116      | 28         |
| 30                                                                                                                                                             | 108       | 114      | 119      | 104       | 109      | 116      | 30         |
| 32                                                                                                                                                             | 107       | 114      | 117      | 103       | 109      | 116      | 32         |
| 34                                                                                                                                                             | 105       | 114      | 114      | 102       | 109      | 115      | 34         |
| 36                                                                                                                                                             | 101       | 113      | 112      | 98.8      | 109      | 113      | 36         |
| 38                                                                                                                                                             | 97.8      | 110      | 110      | 97        | 108      | 110      | 38         |
| 40                                                                                                                                                             | 94.6      | 108      | 108      | 94        | 107      | 108      | 40         |
| 44                                                                                                                                                             | 91.1      | 104      | 105      | 92.1      | 105      | 104      | 44         |
| 48                                                                                                                                                             | 88        | 100      | 101      | 88.8      | 101      | 101      | 48         |
| 52                                                                                                                                                             | 84.8      | 97.2     | 97.3     | 85.3      | 98.3     | 97.7     | 52         |
| 56                                                                                                                                                             | 82        | 94.1     | 94.3     | 82.5      | 94.7     | 94.8     | 56         |
| 60                                                                                                                                                             | 80.4      | 91       | 91.3     | 79.5      | 92.3     | 91.9     | 60         |
| 64                                                                                                                                                             | 79.2      | 88.6     | 89       | 76.9      | 89.4     | 89       | 64         |
| 68                                                                                                                                                             | 77.5      | 85.6     | 86.7     | 74.6      | 86.6     | 86.7     | 68         |
| 72                                                                                                                                                             | 75.4      | 83.8     | 83.8     | 72.5      | 84.3     | 83.2     | 72         |
| 76                                                                                                                                                             | 72.1      | 78.9     | 77.7     | 69.6      | 77.8     | 76.6     | 76         |
| 80                                                                                                                                                             | 68.1      | 72.9     | 71.8     | 66.2      | 71.8     | 70.6     | 80         |
| 84                                                                                                                                                             | 64.5      | 67.5     | 66.4     | 62.9      | 66.4     | 65.2     | 84         |
| 88                                                                                                                                                             | 59.3      | 62.6     | 61.5     | 57.8      | 61.5     | 60.3     | 88         |
| 92                                                                                                                                                             | 54.7      | 58.1     | 57       | 53.2      | 57       | 55.8     | 92         |
| 96                                                                                                                                                             | 50.1      | 54       | 52.8     | 48.9      | 52.9     | 51.7     | 96         |
| 100                                                                                                                                                            | 46.2      | 50.1     | 48.9     | 44.7      | 49       | 47.7     | 100        |
| 104                                                                                                                                                            | 42.3      | 46.4     | 45.1     | 40.9      | 45.3     | 43.9     | 104        |
| 108                                                                                                                                                            | 38.7      | 42.9     | 41.6     | 37.4      | 41.8     | 40.5     | 108        |
| 112                                                                                                                                                            | 35.6      | 39.7     | 38.4     | 34.1      | 38.6     | 37.2     | 112        |
| 116                                                                                                                                                            | 32.6      | 36.7     | 35.4     | 31.2      | 35.6     | 34.2     | 116        |
| 120                                                                                                                                                            | 30.1      | 33.9     | 32.6     | 28.5      | 32.8     | 31.4     | 120        |
| 124                                                                                                                                                            | 26.8      | 31.2     | 29.9     | 24.1      | 30.1     | 28.8     | 124        |
| 128                                                                                                                                                            | 23.8      | 28.8     | 27.5     | 19.8      | 27.7     | 26.3     | 128        |
| 132                                                                                                                                                            | 19.6      | 26.4     | 25.1     | 13.5      | 25.3     | 23.9     | 132        |
| 136                                                                                                                                                            |           |          |          |           | 23.1     | 21.7     | 136        |

## Load Chart of HJFJDB Configuration

### SCC6500A Crawler Crane - Load Chart of HJFJDB Configuration 24/27

Jib length 12m, the superlift radius 19m, the center counterweight 60t, the rear counterweight 210t,  
the superlift counterweight 0-310t, boom to jib angle 20°

| Radius (m) | Boom 144m |          |          | Boom 147m |          |          | Radius (m) |
|------------|-----------|----------|----------|-----------|----------|----------|------------|
|            | HJFJDB_4  | HJFJDB_5 | HJFJDB_7 | HJFJDB_4  | HJFJDB_5 | HJFJDB_7 |            |
| 20         | 99.2      | 104      | 111      | 94.7      | 99.5     | 106      | 20         |
| 22         | 98.7      | 103      | 111      | 94.2      | 98.8     | 106      | 22         |
| 24         | 98.7      | 103      | 111      | 94.2      | 98.3     | 105      | 24         |
| 26         | 98.7      | 103      | 111      | 94.2      | 98.3     | 105      | 26         |
| 28         | 98.2      | 103      | 111      | 93.7      | 97.8     | 105      | 28         |
| 30         | 98.2      | 103      | 111      | 93.3      | 97.2     | 105      | 30         |
| 32         | 97.5      | 103      | 111      | 93.1      | 96.7     | 105      | 32         |
| 34         | 96.4      | 102      | 111      | 92.3      | 96.1     | 105      | 34         |
| 36         | 95.3      | 101      | 111      | 90.8      | 95.5     | 105      | 36         |
| 38         | 94.2      | 101      | 110      | 90.5      | 94.9     | 105      | 38         |
| 40         | 93        | 100      | 109      | 89.2      | 94.3     | 105      | 40         |
| 44         | 91.1      | 98.9     | 105      | 87.2      | 93.2     | 104      | 44         |
| 48         | 89.2      | 97.6     | 101      | 85.4      | 92       | 102      | 48         |
| 52         | 86.2      | 96.3     | 97.9     | 83.8      | 90.7     | 99       | 52         |
| 56         | 83.2      | 94.9     | 94.5     | 82.1      | 89.5     | 95.7     | 56         |
| 60         | 80.5      | 92.1     | 92.2     | 80        | 88.5     | 92.9     | 60         |
| 64         | 77.9      | 89.7     | 89.4     | 78.4      | 87.2     | 90.2     | 64         |
| 68         | 75.6      | 87.4     | 87.1     | 75.8      | 86       | 88       | 68         |
| 72         | 72.3      | 83.6     | 82.4     | 73.5      | 82.3     | 81.3     | 72         |
| 76         | 69.5      | 77       | 75.8     | 69.6      | 75.7     | 74.7     | 76         |
| 80         | 65.4      | 71       | 69.9     | 64.8      | 69.8     | 68.7     | 80         |
| 84         | 61.7      | 65.6     | 64.5     | 59.8      | 64.4     | 63.3     | 84         |
| 88         | 56.8      | 60.7     | 59.6     | 54.9      | 59.5     | 58.4     | 88         |
| 92         | 52.1      | 56.2     | 55.1     | 50.6      | 55       | 53.9     | 92         |
| 96         | 47.5      | 52.1     | 50.9     | 46.4      | 50.9     | 49.8     | 96         |
| 100        | 43.6      | 48.3     | 47       | 42.2      | 47.1     | 45.8     | 100        |
| 104        | 39.8      | 44.6     | 43.3     | 38.4      | 43.3     | 42.1     | 104        |
| 108        | 36.4      | 41.1     | 39.8     | 34.9      | 39.8     | 38.6     | 108        |
| 112        | 33        | 37.9     | 36.5     | 31.6      | 36.6     | 35.4     | 112        |
| 116        | 30        | 34.9     | 33.5     | 27.5      | 33.6     | 32.4     | 116        |
| 120        | 26.3      | 32.1     | 30.7     | 22.7      | 30.8     | 29.5     | 120        |
| 124        | 21.7      | 29.4     | 28.1     | 17.1      | 28.2     | 26.9     | 124        |
| 128        | 16.1      | 26.9     | 25.6     | 9.3       | 25.7     | 24.4     | 128        |
| 132        | 9.6       | 24.6     | 23.3     |           | 23.4     | 22.1     | 132        |
| 136        |           | 22.4     | 21.1     |           | 21.2     | 19.9     | 136        |
| 140        |           |          |          |           | 19.1     | 17.8     | 140        |



Unit: t

## Load Chart of HJFJDB Configuration

| SCC6500A Crawler Crane - Load Chart of HJFJDB Configuration 25/27                                                                                              |           |          |          |           |          |          |            |
|----------------------------------------------------------------------------------------------------------------------------------------------------------------|-----------|----------|----------|-----------|----------|----------|------------|
| Jib length 12m, the superlift radius 19m, the center counterweight 60t, the rear counterweight 210t, the superlift counterweight 0-310t, boom to jib angle 20° |           |          |          |           |          |          |            |
| Radius (m)                                                                                                                                                     | Boom 150m |          |          | Boom 153m |          |          | Radius (m) |
|                                                                                                                                                                | HJFJDB_4  | HJFJDB_5 | HJFJDB_7 | HJFJDB_4  | HJFJDB_5 | HJFJDB_7 |            |
| 22                                                                                                                                                             | 87.8      | 92.2     | 100      | 83        | 87.4     | 94.9     | 22         |
| 24                                                                                                                                                             | 87.2      | 92.1     | 99.9     | 82.4      | 87.1     | 94.5     | 24         |
| 26                                                                                                                                                             | 86.6      | 91.6     | 99.5     | 82        | 86.5     | 94.5     | 26         |
| 28                                                                                                                                                             | 86        | 91       | 99.5     | 81.4      | 85.9     | 94.5     | 28         |
| 30                                                                                                                                                             | 85.4      | 90.4     | 99.5     | 80.8      | 85.4     | 94.4     | 30         |
| 32                                                                                                                                                             | 84.8      | 89.8     | 99.4     | 80.2      | 84.8     | 94.1     | 32         |
| 34                                                                                                                                                             | 84.2      | 89.5     | 98.9     | 79.6      | 84.2     | 93.6     | 34         |
| 36                                                                                                                                                             | 83.6      | 88.9     | 98.3     | 79        | 83.6     | 93.1     | 36         |
| 38                                                                                                                                                             | 83        | 88.3     | 97.8     | 78.4      | 83       | 92.5     | 38         |
| 40                                                                                                                                                             | 82.4      | 87.7     | 97.2     | 77.8      | 82.4     | 92       | 40         |
| 44                                                                                                                                                             | 81.2      | 86.6     | 96.1     | 76.7      | 81.3     | 91       | 44         |
| 48                                                                                                                                                             | 80.3      | 85.4     | 95.3     | 75.5      | 80.2     | 89.9     | 48         |
| 52                                                                                                                                                             | 79.1      | 84.3     | 94.2     | 74.5      | 79.1     | 88.9     | 52         |
| 56                                                                                                                                                             | 78        | 83.1     | 93.2     | 73.4      | 77.9     | 87.8     | 56         |
| 60                                                                                                                                                             | 76.9      | 81.9     | 92.1     | 72.3      | 76.9     | 86.8     | 60         |
| 64                                                                                                                                                             | 75.7      | 80.8     | 91       | 71.2      | 75.8     | 85.7     | 64         |
| 68                                                                                                                                                             | 74.6      | 79.6     | 88.3     | 70.2      | 74.7     | 84.7     | 68         |
| 72                                                                                                                                                             | 73.5      | 78.5     | 80.9     | 69.1      | 73.6     | 79.7     | 72         |
| 76                                                                                                                                                             | 72.4      | 76       | 74.3     | 68.1      | 72.6     | 73.1     | 76         |
| 80                                                                                                                                                             | 71.1      | 70.1     | 68.4     | 67.1      | 69       | 67.2     | 80         |
| 84                                                                                                                                                             | 65.8      | 64.7     | 63       | 64.7      | 63.6     | 61.8     | 84         |
| 88                                                                                                                                                             | 60.8      | 59.8     | 58.1     | 59.8      | 58.7     | 56.9     | 88         |
| 92                                                                                                                                                             | 56.4      | 55.3     | 53.6     | 55.3      | 54.2     | 52.4     | 92         |
| 96                                                                                                                                                             | 52.2      | 51.2     | 49.5     | 51.2      | 50.1     | 48.3     | 96         |
| 100                                                                                                                                                            | 48.4      | 47.4     | 45.6     | 47.4      | 46.3     | 44.4     | 100        |
| 104                                                                                                                                                            | 44.9      | 43.8     | 41.9     | 43.9      | 42.7     | 40.7     | 104        |
| 108                                                                                                                                                            | 41.5      | 40.3     | 38.4     | 40.5      | 39.2     | 37.2     | 108        |
| 112                                                                                                                                                            | 38.3      | 37.1     | 35.2     | 37.3      | 36       | 34       | 112        |
| 116                                                                                                                                                            | 35.3      | 34.1     | 32.2     | 34.3      | 33       | 31       | 116        |
| 120                                                                                                                                                            | 32.5      | 31.3     | 29.3     | 31.5      | 30.2     | 28.2     | 120        |
| 124                                                                                                                                                            | 29.9      | 28.6     | 26.7     | 28.8      | 27.5     | 25.5     | 124        |
| 128                                                                                                                                                            | 27.4      | 26.2     | 24.2     | 26.4      | 25.1     | 23       | 128        |
| 132                                                                                                                                                            | 25.1      | 23.8     | 21.9     | 24.1      | 22.8     | 20.7     | 132        |
| 136                                                                                                                                                            | 22.9      | 21.6     | 19.7     | 21.9      | 20.6     | 18.5     | 136        |
| 140                                                                                                                                                            | 20.8      | 19.6     | 17.6     | 19.8      | 18.5     | 16.5     | 140        |
| 144                                                                                                                                                            | 18.9      | 17.6     | 15.7     | 17.8      | 16.5     | 14.5     | 144        |

## Load Chart of HJFJDB Configuration

### SCC6500A Crawler Crane - Load Chart of HJFJDB Configuration 26/27

Jib length 12m, the superlift radius 19m, the center counterweight 60t, the rear counterweight 210t,  
the superlift counterweight 0-310t, boom to jib angle 20°

| Radius (m) | Boom 156m |          |          | Boom 159m |          |          | Radius (m) |
|------------|-----------|----------|----------|-----------|----------|----------|------------|
|            | HJFJDB_4  | HJFJDB_5 | HJFJDB_7 | HJFJDB_4  | HJFJDB_5 | HJFJDB_7 |            |
| 22         | 78.3      | 82.2     | 90.5     | 74.8      | 77.5     | 85.4     | 22         |
| 24         | 78.1      | 82.1     | 90.2     | 74.6      | 77.3     | 85.3     | 24         |
| 26         | 77.4      | 81.6     | 90.2     | 74        | 76.6     | 85.2     | 26         |
| 28         | 76.8      | 81       | 90.1     | 73.5      | 76       | 84.7     | 28         |
| 30         | 76.2      | 80.4     | 89.6     | 72.9      | 75.4     | 84.1     | 30         |
| 32         | 75.6      | 79.7     | 89.1     | 72.3      | 74.9     | 83.6     | 32         |
| 34         | 75        | 79.1     | 88.6     | 71.7      | 74.1     | 83       | 34         |
| 36         | 74.4      | 78.6     | 88.1     | 71.1      | 73.5     | 82.5     | 36         |
| 38         | 73.8      | 78       | 87.5     | 70.5      | 73.1     | 82       | 38         |
| 40         | 73.2      | 77.4     | 87       | 69.9      | 72.5     | 81.4     | 40         |
| 44         | 72        | 76.2     | 85.9     | 68.7      | 71.4     | 80.3     | 44         |
| 48         | 70.9      | 75.1     | 84.9     | 67.8      | 70.3     | 79.3     | 48         |
| 52         | 70        | 74       | 83.9     | 66.7      | 69.2     | 78.4     | 52         |
| 56         | 69        | 73.2     | 82.9     | 65.6      | 68.1     | 77.4     | 56         |
| 60         | 67.9      | 72.1     | 81.8     | 64.5      | 67.1     | 76.5     | 60         |
| 64         | 66.9      | 71.1     | 80.8     | 63.5      | 66.1     | 75.5     | 64         |
| 68         | 65.9      | 70.1     | 79.8     | 62.5      | 65.1     | 74.5     | 68         |
| 72         | 65        | 69.1     | 78.8     | 61.5      | 64.2     | 73.5     | 72         |
| 76         | 64        | 68       | 72.4     | 58.2      | 63.4     | 71.2     | 76         |
| 80         | 63.1      | 67.1     | 66.5     | 52.7      | 62.4     | 65.3     | 80         |
| 84         | 62.1      | 62.8     | 61.1     | 48        | 61.5     | 59.9     | 84         |
| 88         | 59        | 57.9     | 56.2     | 44.1      | 56.8     | 55       | 88         |
| 92         | 54.5      | 53.4     | 51.7     | 39.7      | 52.3     | 50.5     | 92         |
| 96         | 50.4      | 49.3     | 47.6     | 36        | 48.2     | 46.4     | 96         |
| 100        | 46.6      | 45.5     | 43.7     | 32.5      | 44.4     | 42.6     | 100        |
| 104        | 43.1      | 41.9     | 40       | 29.6      | 40.9     | 38.8     | 104        |
| 108        | 39.7      | 38.5     | 36.5     | 26.8      | 37.4     | 35.3     | 108        |
| 112        | 36.5      | 35.2     | 33.3     | 23.5      | 34.2     | 32.1     | 112        |
| 116        | 33.5      | 32.2     | 30.3     | 20.8      | 31.2     | 29.1     | 116        |
| 120        | 30.7      | 29.4     | 27.5     | 18.8      | 28.4     | 26.3     | 120        |
| 124        | 28.1      | 26.8     | 24.8     | 16.3      | 25.7     | 23.7     | 124        |
| 128        | 25.6      | 24.3     | 22.3     | 13.9      | 23.3     | 21.2     | 128        |
| 132        | 23.3      | 22       | 20       | 11.5      | 20.9     | 18.9     | 132        |
| 136        | 21.1      | 19.8     | 17.8     | 9.7       | 18.8     | 16.7     | 136        |
| 140        | 19.1      | 17.8     | 15.8     | 8         | 16.7     | 14.6     | 140        |
| 144        | 17.1      | 15.8     | 13.8     | 5.9       | 14.7     | 12.6     | 144        |
| 148        | 15.2      | 14       | 11.9     |           | 12.9     | 10.8     | 148        |
| 152        |           |          |          |           | 11.1     | 9        | 152        |

Unit: t

## Load Chart of HJFJDB Configuration

| SCC6500A Crawler Crane - Load Chart of HJFJDB Configuration 27/27                                                                                              |           |          |           |          |            |
|----------------------------------------------------------------------------------------------------------------------------------------------------------------|-----------|----------|-----------|----------|------------|
| Jib length 12m, the superlift radius 19m, the center counterweight 60t, the rear counterweight 210t, the superlift counterweight 0-310t, boom to jib angle 20° |           |          |           |          |            |
| Radius (m)                                                                                                                                                     | Boom 162m |          | Boom 165m |          | Radius (m) |
|                                                                                                                                                                | HJFJDB_5  | HJFJDB_7 | HJFJDB_5  | HJFJDB_7 |            |
| 22                                                                                                                                                             | 74        | 82.5     | 69.8      | 78.5     | 22         |
| 24                                                                                                                                                             | 73.5      | 82.6     | 69.3      | 78.5     | 24         |
| 26                                                                                                                                                             | 72.9      | 82.6     | 68.7      | 78.1     | 26         |
| 28                                                                                                                                                             | 72.4      | 82.2     | 68.2      | 77.7     | 28         |
| 30                                                                                                                                                             | 71.9      | 81.7     | 67.6      | 77.2     | 30         |
| 32                                                                                                                                                             | 71.4      | 81.3     | 67.1      | 76.8     | 32         |
| 34                                                                                                                                                             | 71        | 80.9     | 66.6      | 76.4     | 34         |
| 36                                                                                                                                                             | 70.3      | 80.4     | 66        | 76       | 36         |
| 38                                                                                                                                                             | 70        | 79.9     | 65.5      | 75.6     | 38         |
| 40                                                                                                                                                             | 69.5      | 79.5     | 65        | 75.1     | 40         |
| 44                                                                                                                                                             | 68.5      | 78.6     | 64        | 74.3     | 44         |
| 48                                                                                                                                                             | 67.6      | 77.7     | 63        | 73.6     | 48         |
| 52                                                                                                                                                             | 66.6      | 76.8     | 62.3      | 72.7     | 52         |
| 56                                                                                                                                                             | 65.7      | 76       | 61.2      | 71.9     | 56         |
| 60                                                                                                                                                             | 64.8      | 75.3     | 60.5      | 71       | 60         |
| 64                                                                                                                                                             | 64        | 74.5     | 59.7      | 70.1     | 64         |
| 68                                                                                                                                                             | 63.1      | 73.6     | 58.8      | 69.3     | 68         |
| 72                                                                                                                                                             | 62.3      | 72.8     | 58        | 68.4     | 72         |
| 76                                                                                                                                                             | 61.4      | 71.5     | 57.2      | 67.5     | 76         |
| 80                                                                                                                                                             | 60.6      | 65.6     | 56.4      | 64.4     | 80         |
| 84                                                                                                                                                             | 59.9      | 60.2     | 55.6      | 59.1     | 84         |
| 88                                                                                                                                                             | 57.3      | 55.3     | 54.8      | 54.2     | 88         |
| 92                                                                                                                                                             | 52.8      | 50.8     | 51.7      | 49.7     | 92         |
| 96                                                                                                                                                             | 48.7      | 46.7     | 47.6      | 45.6     | 96         |
| 100                                                                                                                                                            | 44.9      | 42.9     | 43.8      | 41.8     | 100        |
| 104                                                                                                                                                            | 41.4      | 39.3     | 40.3      | 38.1     | 104        |
| 108                                                                                                                                                            | 38        | 35.8     | 37        | 34.7     | 108        |
| 112                                                                                                                                                            | 34.8      | 32.6     | 33.7      | 31.4     | 112        |
| 116                                                                                                                                                            | 31.8      | 29.6     | 30.7      | 28.4     | 116        |
| 120                                                                                                                                                            | 29        | 26.8     | 27.9      | 25.6     | 120        |
| 124                                                                                                                                                            | 26.4      | 24.1     | 25.3      | 23       | 124        |
| 128                                                                                                                                                            | 23.9      | 21.7     | 22.9      | 20.5     | 128        |
| 132                                                                                                                                                            | 21.6      | 19.3     | 20.5      | 18.2     | 132        |
| 136                                                                                                                                                            | 19.4      | 17.2     | 18.4      | 16       | 136        |
| 140                                                                                                                                                            | 17.4      | 15.1     | 16.3      | 13.9     | 140        |
| 144                                                                                                                                                            | 15.4      | 13.1     | 14.3      | 12       | 144        |
| 148                                                                                                                                                            | 13.6      | 11.3     | 12.5      | 10.1     | 148        |
| 152                                                                                                                                                            | 11.8      | 9.5      | 10.7      | 8.4      | 152        |

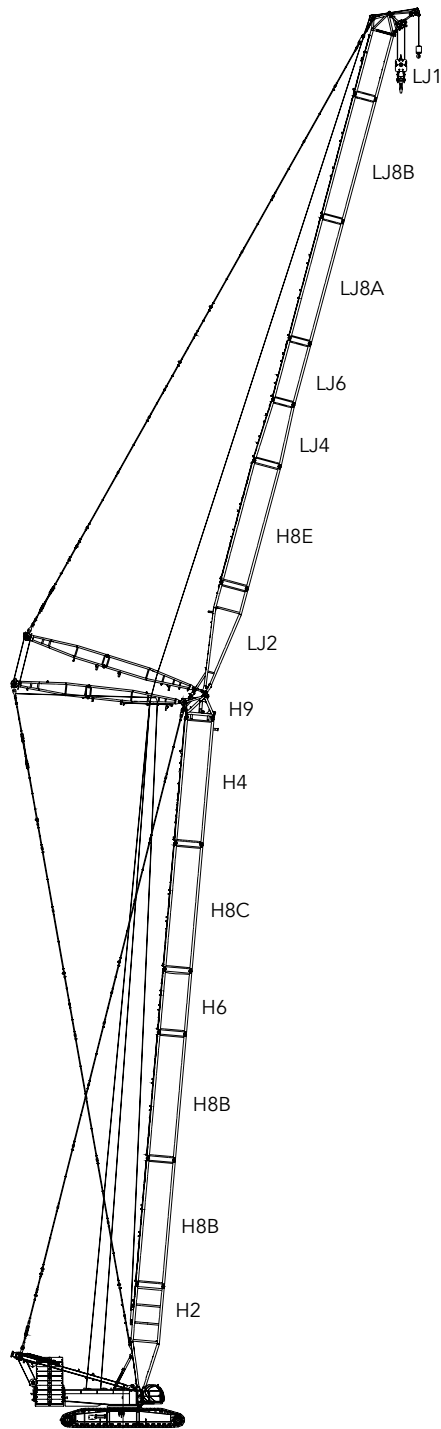
## LJ Boom Combination

| LJ Boom Combination |             |            |     |
|---------------------|-------------|------------|-----|
| Boom length (m)     | Boom insert | Jib insert |     |
|                     | 12m         | 6m         | 12m |
| 24                  | —           | —          | —   |
| 30                  | —           | 1          | —   |
| 36                  | 1           | —          | —   |
| 42                  | 1           | 1          | —   |
| 48                  | 1           | 2          | —   |
| 54                  | 1           | 1          | 1   |
| 60                  | 1           | 2          | 1   |
| 66                  | 1           | 1          | 2   |
| 72                  | 1           | 2          | 2   |
| 78                  | 1           | 1          | 3   |
| 84                  | 1           | 2          | 3   |
| 90*                 | 1           | 1          | 4   |
| 96*                 | 1           | 2          | 4   |

Notes: configuration of main boom and working condition of main boom are consistent to each other.

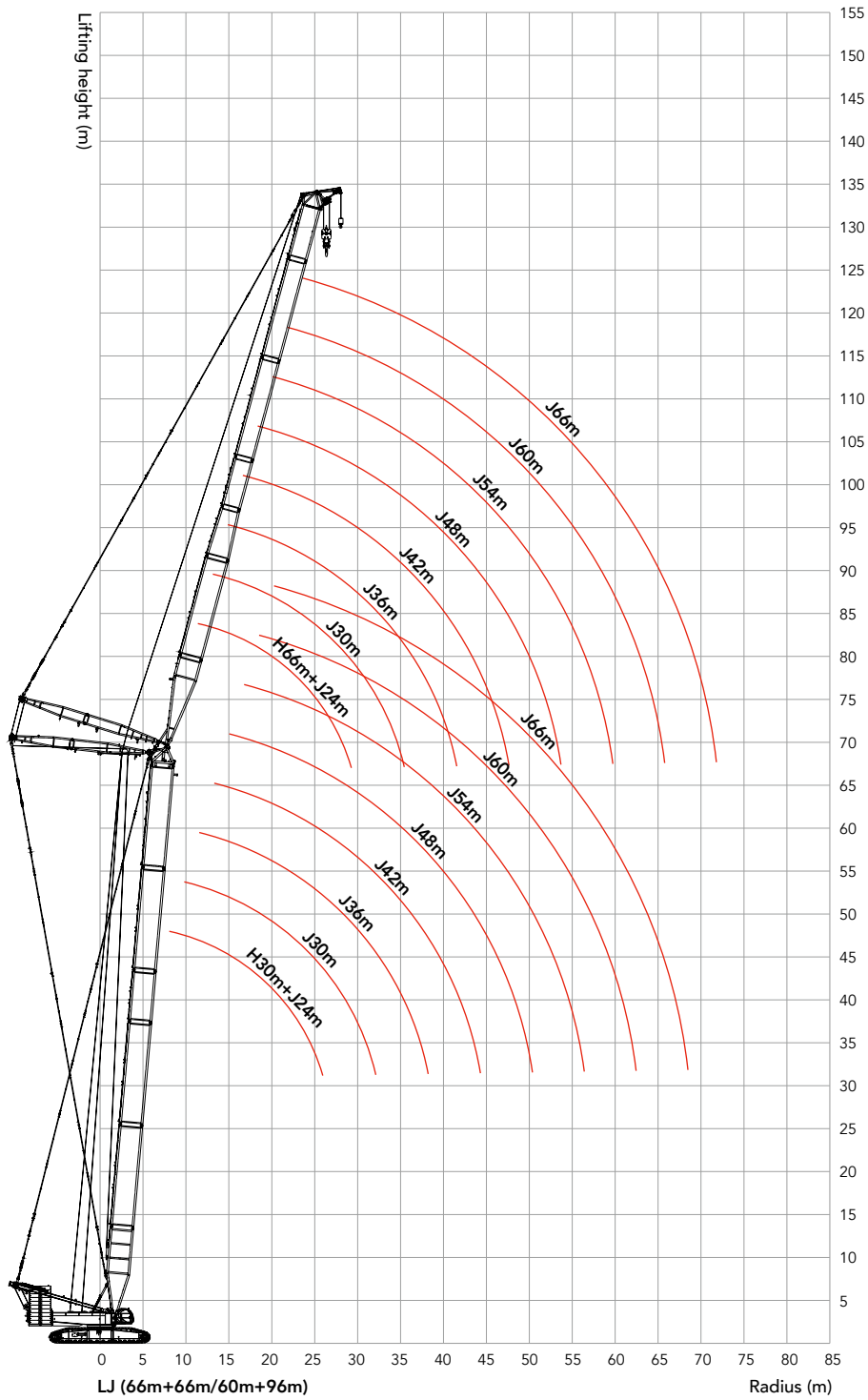
In the jib configuration: jib base, 6m tapered section and jib upper boom are must.

\* indicates the mid-point suspension cable must be adopted for the boom, otherwise, there is danger of boom breaking.



LJ (66m+66m/60m+96m)

## LJ Work Radius



## Load Chart of LJ Configuration

### SCC6500A Crawler Crane - Load Chart of LJ Configuration 1/7

Main boom 30m, main boom angle 85°, jib length 24-96m, rear counterweight 210t and center counterweight 60t

| Radius (m) | 24  | 30   | 36   | 42   | 48   | 54   | 60   | 66   | 72   | 78   | 84   | 90   | 96   | Radius (m) |
|------------|-----|------|------|------|------|------|------|------|------|------|------|------|------|------------|
| 13         | 270 |      |      |      |      |      |      |      |      |      |      |      |      | 13         |
| 14         | 250 | 240  |      |      |      |      |      |      |      |      |      |      |      | 14         |
| 15         | 233 | 224  |      |      |      |      |      |      |      |      |      |      |      | 15         |
| 16         | 219 | 210  | 202  |      |      |      |      |      |      |      |      |      |      | 16         |
| 17         | 206 | 198  | 190  |      |      |      |      |      |      |      |      |      |      | 17         |
| 18         | 194 | 187  | 180  | 173  |      |      |      |      |      |      |      |      |      | 18         |
| 19         | 183 | 177  | 171  | 164  | 159  |      |      |      |      |      |      |      |      | 19         |
| 20         | 174 | 168  | 162  | 156  | 151  |      |      |      |      |      |      |      |      | 20         |
| 22         | 158 | 152  | 147  | 142  | 137  | 133  | 128  |      |      |      |      |      |      | 22         |
| 24         | 144 | 139  | 134  | 130  | 125  | 122  | 118  | 114  |      |      |      |      |      | 24         |
| 26         | 131 | 128  | 124  | 119  | 115  | 112  | 108  | 105  | 102  |      |      |      |      | 26         |
| 28         | 119 | 119  | 114  | 110  | 107  | 104  | 100  | 97.5 | 94.3 | 91.7 | 88.5 |      |      | 28         |
| 30         |     | 109  | 106  | 102  | 99.1 | 96.2 | 93   | 90.6 | 87.5 | 85.1 | 82.1 | 79.8 |      | 30         |
| 32         |     | 99.8 | 98.9 | 95.6 | 92.4 | 89.7 | 86.7 | 84.4 | 81.5 | 79.2 | 76.4 | 74.2 | 71.5 | 32         |
| 34         |     | 91.9 | 91.3 | 89.5 | 86.4 | 83.9 | 81   | 78.9 | 76.1 | 74   | 71.3 | 69.2 | 66.6 | 34         |
| 36         |     |      | 84.7 | 83.5 | 81.1 | 78.7 | 76   | 73.9 | 71.3 | 69.3 | 66.7 | 64.7 | 62.2 | 36         |
| 38         |     |      | 78.7 | 77.6 | 76.3 | 74   | 71.4 | 69.5 | 66.9 | 65   | 62.5 | 60.6 | 58.2 | 38         |
| 40         |     |      |      | 72.4 | 71.4 | 69.7 | 67.2 | 65.4 | 62.9 | 61.1 | 58.7 | 56.9 | 54.5 | 40         |
| 44         |     |      |      | 63.5 | 62.6 | 61.9 | 59.9 | 58.2 | 55.9 | 54.2 | 52   | 50.3 | 48.1 | 44         |
| 48         |     |      |      |      | 55.3 | 54.7 | 53.6 | 52.2 | 50   | 48.4 | 46.3 | 44.7 | 42.6 | 48         |
| 52         |     |      |      |      |      | 48.6 | 47.6 | 47   | 44.9 | 43.4 | 41.4 | 39.9 | 37.8 | 52         |
| 56         |     |      |      |      |      | 43.3 | 42.4 | 41.9 | 40.5 | 39.1 | 37.1 | 35.7 | 33.7 | 56         |
| 60         |     |      |      |      |      |      | 37.9 | 37.5 | 36.4 | 35.3 | 33.4 | 32   | 30.1 | 60         |
| 64         |     |      |      |      |      |      |      | 33.6 | 32.6 | 31.9 | 30.1 | 28.7 | 26.8 | 64         |
| 68         |     |      |      |      |      |      |      | 30.2 | 29.2 | 28.6 | 27.1 | 25.8 | 24   | 68         |
| 72         |     |      |      |      |      |      |      |      | 26.1 | 25.6 | 24.5 | 23.2 | 21.4 | 72         |
| 76         |     |      |      |      |      |      |      |      |      | 22.9 | 21.8 | 20.8 | 19   | 76         |
| 80         |     |      |      |      |      |      |      |      |      | 20.4 | 19.4 | 18.6 | 16.9 | 80         |
| 84         |     |      |      |      |      |      |      |      |      |      | 17.2 | 16.6 | 15   | 84         |
| 88         |     |      |      |      |      |      |      |      |      |      |      | 14.6 | 13.2 | 88         |
| 92         |     |      |      |      |      |      |      |      |      |      |      | 12.7 | 11.6 | 92         |
| 96         |     |      |      |      |      |      |      |      |      |      |      |      | 10   | 96         |

Unit: t

## Load Chart of LJ Configuration

| SCC6500A Crawler Crane - Load Chart of LJ Configuration 2/7                                                  |     |      |      |      |      |      |      |      |      |      |      |      |      |            |
|--------------------------------------------------------------------------------------------------------------|-----|------|------|------|------|------|------|------|------|------|------|------|------|------------|
| Main boom 36m, main boom angle 85° , jib length 24-96m, rear counterweight 210t and center counterweight 60t |     |      |      |      |      |      |      |      |      |      |      |      |      |            |
| Radius (m)                                                                                                   | 24  | 30   | 36   | 42   | 48   | 54   | 60   | 66   | 72   | 78   | 84   | 90   | 96   | Radius (m) |
| 13                                                                                                           | 257 |      |      |      |      |      |      |      |      |      |      |      |      | 13         |
| 14                                                                                                           | 239 |      |      |      |      |      |      |      |      |      |      |      |      | 14         |
| 15                                                                                                           | 223 | 214  |      |      |      |      |      |      |      |      |      |      |      | 15         |
| 16                                                                                                           | 209 | 201  | 194  |      |      |      |      |      |      |      |      |      |      | 16         |
| 17                                                                                                           | 197 | 190  | 183  |      |      |      |      |      |      |      |      |      |      | 17         |
| 18                                                                                                           | 186 | 179  | 173  | 166  |      |      |      |      |      |      |      |      |      | 18         |
| 19                                                                                                           | 176 | 170  | 164  | 158  |      |      |      |      |      |      |      |      |      | 19         |
| 20                                                                                                           | 168 | 162  | 156  | 150  | 145  |      |      |      |      |      |      |      |      | 20         |
| 22                                                                                                           | 152 | 147  | 142  | 137  | 132  | 128  |      |      |      |      |      |      |      | 22         |
| 24                                                                                                           | 139 | 134  | 130  | 125  | 121  | 117  | 113  | 110  |      |      |      |      |      | 24         |
| 26                                                                                                           | 128 | 124  | 120  | 115  | 111  | 108  | 105  | 102  | 98.2 |      |      |      |      | 26         |
| 28                                                                                                           | 118 | 115  | 111  | 107  | 103  | 100  | 96.7 | 94.1 | 90.9 | 88.3 |      |      |      | 28         |
| 30                                                                                                           |     | 107  | 103  | 99.2 | 95.8 | 93   | 89.9 | 87.5 | 84.4 | 82   | 79.1 | 76.8 |      | 30         |
| 32                                                                                                           |     | 99.3 | 96.2 | 92.6 | 89.4 | 86.8 | 83.8 | 81.5 | 78.7 | 76.4 | 73.6 | 71.4 | 68.7 | 32         |
| 34                                                                                                           |     | 91.5 | 90.2 | 86.7 | 83.7 | 81.2 | 78.4 | 76.2 | 73.5 | 71.4 | 68.7 | 66.6 | 64   | 34         |
| 36                                                                                                           |     |      | 84.2 | 81.4 | 78.5 | 76.2 | 73.5 | 71.5 | 68.8 | 66.8 | 64.3 | 62.3 | 59.8 | 36         |
| 38                                                                                                           |     |      | 78.3 | 76.7 | 73.9 | 71.7 | 69   | 67.1 | 64.6 | 62.7 | 60.2 | 58.3 | 55.9 | 38         |
| 40                                                                                                           |     |      | 73   | 72   | 69.7 | 67.6 | 65   | 63.2 | 60.8 | 58.9 | 56.6 | 54.7 | 52.4 | 40         |
| 44                                                                                                           |     |      |      | 63.1 | 62.2 | 60.4 | 58   | 56.3 | 54   | 52.3 | 50.1 | 48.4 | 46.2 | 44         |
| 48                                                                                                           |     |      |      |      | 54.9 | 54.3 | 52.1 | 50.5 | 48.3 | 46.7 | 44.6 | 43   | 40.9 | 48         |
| 52                                                                                                           |     |      |      |      |      | 48.3 | 47   | 45.5 | 43.4 | 41.9 | 39.8 | 38.3 | 36.3 | 52         |
| 56                                                                                                           |     |      |      |      |      |      | 43   | 42.1 | 41.2 | 39.1 | 37.7 | 35.7 | 34.2 | 56         |
| 60                                                                                                           |     |      |      |      |      |      |      | 37.6 | 37.2 | 35.4 | 34   | 32   | 30.6 | 60         |
| 64                                                                                                           |     |      |      |      |      |      |      |      | 33.4 | 32.1 | 30.7 | 28.8 | 27.5 | 64         |
| 68                                                                                                           |     |      |      |      |      |      |      |      | 29.9 | 28.9 | 27.8 | 26   | 24.6 | 68         |
| 72                                                                                                           |     |      |      |      |      |      |      |      |      | 25.9 | 25.2 | 23.4 | 22.1 | 72         |
| 76                                                                                                           |     |      |      |      |      |      |      |      |      |      | 22.7 | 21.1 | 19.8 | 76         |
| 80                                                                                                           |     |      |      |      |      |      |      |      |      |      |      | 20.2 | 18.9 | 80         |
| 84                                                                                                           |     |      |      |      |      |      |      |      |      |      |      |      | 17   | 84         |
| 88                                                                                                           |     |      |      |      |      |      |      |      |      |      |      |      |      | 88         |
| 92                                                                                                           |     |      |      |      |      |      |      |      |      |      |      |      |      | 92         |
| 96                                                                                                           |     |      |      |      |      |      |      |      |      |      |      |      |      | 96         |

**Load Chart of LJ Configuration****SCC6500A Crawler Crane - Load Chart of LJ Configuration 3/7**

Main boom 42m, main boom angle 85° , jib length 24-96m, rear counterweight 210t and center counterweight 60t

| Radius (m) | 24  | 30   | 36   | 42   | 48   | 54   | 60   | 66   | 72   | 78   | 84   | 90   | 96   | Radius (m) |
|------------|-----|------|------|------|------|------|------|------|------|------|------|------|------|------------|
| 14         | 228 |      |      |      |      |      |      |      |      |      |      |      |      | 14         |
| 15         | 213 | 205  |      |      |      |      |      |      |      |      |      |      |      | 15         |
| 16         | 200 | 193  |      |      |      |      |      |      |      |      |      |      |      | 16         |
| 17         | 189 | 182  | 175  |      |      |      |      |      |      |      |      |      |      | 17         |
| 18         | 179 | 172  | 166  |      |      |      |      |      |      |      |      |      |      | 18         |
| 19         | 169 | 163  | 158  | 152  |      |      |      |      |      |      |      |      |      | 19         |
| 20         | 161 | 155  | 150  | 144  | 139  |      |      |      |      |      |      |      |      | 20         |
| 22         | 147 | 142  | 137  | 131  | 127  | 123  |      |      |      |      |      |      |      | 22         |
| 24         | 134 | 130  | 125  | 121  | 116  | 113  | 109  |      |      |      |      |      |      | 24         |
| 26         | 124 | 120  | 115  | 111  | 107  | 104  | 101  | 97.9 | 94.5 |      |      |      |      | 26         |
| 28         | 115 | 111  | 107  | 103  | 99.5 | 96.5 | 93.2 | 90.7 | 87.5 | 84.9 |      |      |      | 28         |
| 30         |     | 103  | 99.6 | 95.8 | 92.5 | 89.8 | 86.7 | 84.3 | 81.3 | 78.9 | 76   |      |      | 30         |
| 32         |     | 96.7 | 93.1 | 89.5 | 86.4 | 83.8 | 80.8 | 78.6 | 75.7 | 73.5 | 70.8 | 68.6 |      | 32         |
| 34         |     | 90.9 | 87.3 | 83.8 | 80.9 | 78.4 | 75.6 | 73.5 | 70.8 | 68.7 | 66.1 | 64   | 61.4 | 34         |
| 36         |     |      | 82.2 | 78.8 | 75.9 | 73.6 | 70.9 | 68.9 | 66.3 | 64.3 | 61.8 | 59.8 | 57.3 | 36         |
| 38         |     |      | 77.5 | 74.2 | 71.5 | 69.3 | 66.7 | 64.8 | 62.3 | 60.4 | 57.9 | 56   | 53.6 | 38         |
| 40         |     |      | 72.5 | 70.1 | 67.4 | 65.3 | 62.8 | 61   | 58.6 | 56.7 | 54.4 | 52.5 | 50.2 | 40         |
| 44         |     |      |      | 62.6 | 60.4 | 58.4 | 56   | 54.4 | 52   | 50.4 | 48.1 | 46.4 | 44.2 | 44         |
| 48         |     |      |      |      | 54.4 | 52.5 | 50.3 | 48.7 | 46.5 | 44.9 | 42.8 | 41.2 | 39.1 | 48         |
| 52         |     |      |      |      | 48.3 | 47.5 | 45.3 | 43.9 | 41.8 | 40.3 | 38.2 | 36.7 | 34.7 | 52         |
| 56         |     |      |      |      |      | 42.7 | 41.1 | 39.7 | 37.6 | 36.2 | 34.2 | 32.7 | 30.8 | 56         |
| 60         |     |      |      |      |      |      | 37.3 | 36   | 34   | 32.6 | 30.7 | 29.3 | 27.4 | 60         |
| 64         |     |      |      |      |      |      | 33.3 | 32.7 | 30.8 | 29.5 | 27.6 | 26.2 | 24.3 | 64         |
| 68         |     |      |      |      |      |      |      | 29.6 | 27.9 | 26.6 | 24.8 | 23.4 | 21.6 | 68         |
| 72         |     |      |      |      |      |      |      |      | 25.4 | 24.1 | 22.3 | 21   | 19.2 | 72         |
| 76         |     |      |      |      |      |      |      |      |      | 21.8 | 20   | 18.7 | 17   | 76         |
| 80         |     |      |      |      |      |      |      |      |      | 19.7 | 17.9 | 16.7 | 15   | 80         |
| 84         |     |      |      |      |      |      |      |      |      |      | 16.1 | 14.8 | 13.1 | 84         |
| 88         |     |      |      |      |      |      |      |      |      |      |      | 13.1 | 11.4 | 88         |
| 92         |     |      |      |      |      |      |      |      |      |      |      | 11.6 | 9.9  | 92         |
| 96         |     |      |      |      |      |      |      |      |      |      |      |      | 8.5  | 96         |



Unit: t

## Load Chart of LJ Configuration

| SCC6500A Crawler Crane - Load Chart of LJ Configuration 4/7                                                  |     |      |      |      |      |      |      |      |      |      |      |      |      |            |
|--------------------------------------------------------------------------------------------------------------|-----|------|------|------|------|------|------|------|------|------|------|------|------|------------|
| Main boom 48m, main boom angle 85° , jib length 24-96m, rear counterweight 210t and center counterweight 60t |     |      |      |      |      |      |      |      |      |      |      |      |      |            |
| Radius (m)                                                                                                   | 24  | 30   | 36   | 42   | 48   | 54   | 60   | 66   | 72   | 78   | 84   | 90   | 96   | Radius (m) |
| 14                                                                                                           | 217 |      |      |      |      |      |      |      |      |      |      |      |      | 14         |
| 15                                                                                                           | 204 |      |      |      |      |      |      |      |      |      |      |      |      | 15         |
| 16                                                                                                           | 192 | 185  |      |      |      |      |      |      |      |      |      |      |      | 16         |
| 17                                                                                                           | 181 | 174  |      |      |      |      |      |      |      |      |      |      |      | 17         |
| 18                                                                                                           | 171 | 165  | 159  |      |      |      |      |      |      |      |      |      |      | 18         |
| 19                                                                                                           | 163 | 157  | 151  | 146  |      |      |      |      |      |      |      |      |      | 19         |
| 20                                                                                                           | 155 | 149  | 144  | 139  |      |      |      |      |      |      |      |      |      | 20         |
| 22                                                                                                           | 141 | 136  | 131  | 126  | 122  | 118  |      |      |      |      |      |      |      | 22         |
| 24                                                                                                           | 130 | 125  | 121  | 116  | 112  | 109  | 105  |      |      |      |      |      |      | 24         |
| 26                                                                                                           | 120 | 116  | 111  | 107  | 103  | 100  | 96.9 | 94.1 |      |      |      |      |      | 26         |
| 28                                                                                                           | 111 | 107  | 103  | 99.4 | 95.9 | 93   | 89.8 | 87.2 | 84.1 | 81.6 |      |      |      | 28         |
| 30                                                                                                           |     | 99.9 | 96.3 | 92.5 | 89.3 | 86.6 | 83.5 | 81.2 | 78.2 | 75.8 | 73   |      |      | 30         |
| 32                                                                                                           |     | 93.5 | 90   | 86.5 | 83.4 | 80.8 | 77.9 | 75.7 | 72.9 | 70.7 | 67.9 | 65.8 |      | 32         |
| 34                                                                                                           |     | 87.9 | 84.5 | 81   | 78.1 | 75.7 | 72.9 | 70.8 | 68.1 | 66.1 | 63.4 | 61.4 | 58.8 | 34         |
| 36                                                                                                           |     |      | 79.5 | 76.2 | 73.4 | 71.1 | 68.4 | 66.4 | 63.8 | 61.9 | 59.3 | 57.4 | 54.9 | 36         |
| 38                                                                                                           |     |      | 75   | 71.8 | 69.1 | 66.9 | 64.3 | 62.4 | 59.9 | 58   | 55.6 | 53.7 | 51.3 | 38         |
| 40                                                                                                           |     |      | 71   | 67.8 | 65.2 | 63.1 | 60.6 | 58.8 | 56.3 | 54.5 | 52.2 | 50.4 | 48   | 40         |
| 44                                                                                                           |     |      |      | 60.9 | 58.4 | 56.4 | 54   | 52.4 | 50.1 | 48.4 | 46.2 | 44.5 | 42.3 | 44         |
| 48                                                                                                           |     |      |      |      | 52.6 | 50.7 | 48.5 | 46.9 | 44.7 | 43.2 | 41   | 39.4 | 37.3 | 48         |
| 52                                                                                                           |     |      |      |      | 47.7 | 45.9 | 43.7 | 42.3 | 40.1 | 38.6 | 36.6 | 35.1 | 33   | 52         |
| 56                                                                                                           |     |      |      |      |      | 41.7 | 39.6 | 38.2 | 36.1 | 34.7 | 32.7 | 31.3 | 29.3 | 56         |
| 60                                                                                                           |     |      |      |      |      |      | 35.9 | 34.6 | 32.6 | 31.2 | 29.3 | 27.9 | 26   | 60         |
| 64                                                                                                           |     |      |      |      |      |      | 32.8 | 31.4 | 29.5 | 28.2 | 26.3 | 24.9 | 23   | 64         |
| 68                                                                                                           |     |      |      |      |      |      |      | 28.6 | 26.7 | 25.4 | 23.6 | 22.2 | 20.4 | 68         |
| 72                                                                                                           |     |      |      |      |      |      |      |      | 24.2 | 23   | 21.1 | 19.8 | 18   | 72         |
| 76                                                                                                           |     |      |      |      |      |      |      |      | 22   | 20.7 | 18.9 | 17.7 | 15.9 | 76         |
| 80                                                                                                           |     |      |      |      |      |      |      |      |      | 18.7 | 16.9 | 15.7 | 13.9 | 80         |
| 84                                                                                                           |     |      |      |      |      |      |      |      |      |      | 15.1 | 13.9 | 12.1 | 84         |
| 88                                                                                                           |     |      |      |      |      |      |      |      |      |      |      | 12.2 | 10.5 | 88         |
| 92                                                                                                           |     |      |      |      |      |      |      |      |      |      |      | 10.7 | 9    | 92         |
| 96                                                                                                           |     |      |      |      |      |      |      |      |      |      |      |      | 7.6  | 96         |

**Load Chart of LJ Configuration****SCC6500A Crawler Crane - Load Chart of LJ Configuration 5/7**

Main boom 54m, main boom angle 85° , jib length 24-96m, rear counterweight 210t and center counterweight 60t

| Radius (m) | 24  | 30   | 36   | 42   | 48   | 54   | 60   | 66   | 72   | 78   | 84   | 90   | 96   | Radius (m) |
|------------|-----|------|------|------|------|------|------|------|------|------|------|------|------|------------|
| 15         | 194 |      |      |      |      |      |      |      |      |      |      |      |      | 15         |
| 16         | 183 |      |      |      |      |      |      |      |      |      |      |      |      | 16         |
| 17         | 173 | 167  |      |      |      |      |      |      |      |      |      |      |      | 17         |
| 18         | 164 | 158  | 152  |      |      |      |      |      |      |      |      |      |      | 18         |
| 19         | 156 | 151  | 145  |      |      |      |      |      |      |      |      |      |      | 19         |
| 20         | 149 | 143  | 138  | 133  |      |      |      |      |      |      |      |      |      | 20         |
| 22         | 136 | 131  | 126  | 121  | 117  |      |      |      |      |      |      |      |      | 22         |
| 24         | 125 | 120  | 116  | 112  | 108  | 104  | 101  |      |      |      |      |      |      | 24         |
| 26         | 115 | 111  | 107  | 103  | 99.5 | 96.4 | 93   | 90.3 |      |      |      |      |      | 26         |
| 28         | 107 | 103  | 99.6 | 95.7 | 92.3 | 89.4 | 86.2 | 83.7 | 80.6 |      |      |      |      | 28         |
| 30         | 100 | 96.4 | 92.8 | 89.1 | 85.9 | 83.3 | 80.2 | 77.9 | 74.9 | 72.7 | 69.8 |      |      | 30         |
| 32         |     | 90.3 | 86.9 | 83.3 | 80.3 | 77.8 | 74.9 | 72.7 | 69.9 | 67.7 | 65   | 62.9 |      | 32         |
| 34         |     | 84.8 | 81.5 | 78.1 | 75.2 | 72.8 | 70.1 | 68   | 65.3 | 63.3 | 60.7 | 58.6 | 56.1 | 34         |
| 36         |     | 80.1 | 76.7 | 73.5 | 70.7 | 68.4 | 65.7 | 63.8 | 61.2 | 59.3 | 56.7 | 54.8 | 52.3 | 36         |
| 38         |     |      | 72.4 | 69.2 | 66.5 | 64.4 | 61.8 | 60   | 57.5 | 55.6 | 53.2 | 51.3 | 48.9 | 38         |
| 40         |     |      | 68.5 | 65.4 | 62.8 | 60.7 | 58.2 | 56.5 | 54   | 52.3 | 49.9 | 48.1 | 45.8 | 40         |
| 44         |     |      |      | 58.7 | 56.2 | 54.3 | 51.9 | 50.3 | 48   | 46.3 | 44.1 | 42.4 | 40.2 | 44         |
| 48         |     |      |      |      | 50.7 | 48.8 | 46.6 | 45.1 | 42.9 | 41.3 | 39.2 | 37.6 | 35.5 | 48         |
| 52         |     |      |      |      | 46   | 44.1 | 42   | 40.5 | 38.4 | 36.9 | 34.9 | 33.4 | 31.3 | 52         |
| 56         |     |      |      |      |      | 40.1 | 38   | 36.6 | 34.6 | 33.1 | 31.1 | 29.7 | 27.7 | 56         |
| 60         |     |      |      |      |      |      | 34.5 | 33.1 | 31.1 | 29.8 | 27.8 | 26.4 | 24.5 | 60         |
| 64         |     |      |      |      |      |      | 31.4 | 30.1 | 28.1 | 26.8 | 24.9 | 23.5 | 21.7 | 64         |
| 68         |     |      |      |      |      |      |      | 27.4 | 25.4 | 24.1 | 22.3 | 21   | 19.1 | 68         |
| 72         |     |      |      |      |      |      |      |      | 23   | 21.8 | 19.9 | 18.6 | 16.8 | 72         |
| 76         |     |      |      |      |      |      |      |      | 20.8 | 19.6 | 17.8 | 16.5 | 14.7 | 76         |
| 80         |     |      |      |      |      |      |      |      |      | 17.6 | 15.8 | 14.6 | 12.8 | 80         |
| 84         |     |      |      |      |      |      |      |      |      |      | 14.1 | 12.8 | 11.1 | 84         |
| 88         |     |      |      |      |      |      |      |      |      |      |      | 12.5 | 9.5  | 88         |
| 92         |     |      |      |      |      |      |      |      |      |      |      |      | 9.8  | 92         |
| 96         |     |      |      |      |      |      |      |      |      |      |      |      |      | 96         |

Unit: t

## Load Chart of LJ Configuration

| SCC6500A Crawler Crane - Load Chart of LJ Configuration 6/7                                                  |      |      |      |      |      |      |      |      |      |      |      |      |      |            |
|--------------------------------------------------------------------------------------------------------------|------|------|------|------|------|------|------|------|------|------|------|------|------|------------|
| Main boom 60m, main boom angle 85° , jib length 24-96m, rear counterweight 210t and center counterweight 60t |      |      |      |      |      |      |      |      |      |      |      |      |      |            |
| Radius (m)                                                                                                   | 24   | 30   | 36   | 42   | 48   | 54   | 60   | 66   | 72   | 78   | 84   | 90   | 96   | Radius (m) |
| 15                                                                                                           | 185  |      |      |      |      |      |      |      |      |      |      |      |      | 15         |
| 16                                                                                                           | 175  |      |      |      |      |      |      |      |      |      |      |      |      | 16         |
| 17                                                                                                           | 166  | 159  |      |      |      |      |      |      |      |      |      |      |      | 17         |
| 18                                                                                                           | 157  | 151  |      |      |      |      |      |      |      |      |      |      |      | 18         |
| 19                                                                                                           | 149  | 144  | 139  |      |      |      |      |      |      |      |      |      |      | 19         |
| 20                                                                                                           | 142  | 137  | 132  | 127  |      |      |      |      |      |      |      |      |      | 20         |
| 22                                                                                                           | 130  | 126  | 121  | 116  | 112  |      |      |      |      |      |      |      |      | 22         |
| 24                                                                                                           | 120  | 116  | 111  | 107  | 103  | 100  |      |      |      |      |      |      |      | 24         |
| 26                                                                                                           | 111  | 107  | 103  | 99   | 95.4 | 92.4 | 89   | 86.4 |      |      |      |      |      | 26         |
| 28                                                                                                           | 103  | 99.4 | 95.8 | 91.9 | 88.6 | 85.8 | 82.6 | 80.1 | 77.1 |      |      |      |      | 28         |
| 30                                                                                                           | 96.3 | 92.8 | 89.3 | 85.7 | 82.5 | 79.9 | 76.9 | 74.6 | 71.7 | 69.4 |      |      |      | 30         |
| 32                                                                                                           |      | 86.9 | 83.6 | 80.1 | 77.1 | 74.6 | 71.8 | 69.6 | 66.8 | 64.7 | 62   |      |      | 32         |
| 34                                                                                                           |      | 81.7 | 78.5 | 75.1 | 72.3 | 69.9 | 67.2 | 65.2 | 62.5 | 60.5 | 57.9 | 55.8 | 53.3 | 34         |
| 36                                                                                                           |      | 77.1 | 73.9 | 70.7 | 67.9 | 65.7 | 63   | 61.1 | 58.5 | 56.6 | 54.1 | 52.2 | 49.7 | 36         |
| 38                                                                                                           |      |      | 69.8 | 66.6 | 64   | 61.8 | 59.3 | 57.5 | 54.9 | 53.1 | 50.7 | 48.8 | 46.4 | 38         |
| 40                                                                                                           |      |      | 66   | 62.9 | 60.4 | 58.3 | 55.8 | 54.1 | 51.7 | 49.9 | 47.5 | 45.7 | 43.4 | 40         |
| 44                                                                                                           |      |      |      | 56.5 | 54.1 | 52.1 | 49.8 | 48.2 | 45.9 | 44.2 | 42   | 40.3 | 38.1 | 44         |
| 48                                                                                                           |      |      |      | 51.1 | 48.7 | 46.9 | 44.6 | 43.1 | 40.9 | 39.4 | 37.2 | 35.6 | 33.5 | 48         |
| 52                                                                                                           |      |      |      |      | 44.1 | 42.4 | 40.2 | 38.8 | 36.7 | 35.2 | 33.1 | 31.6 | 29.6 | 52         |
| 56                                                                                                           |      |      |      |      |      | 38.4 | 36.3 | 35   | 32.9 | 31.5 | 29.5 | 28   | 26.1 | 56         |
| 60                                                                                                           |      |      |      |      |      |      | 32.9 | 31.6 | 29.6 | 28.3 | 26.3 | 24.9 | 23   | 60         |
| 64                                                                                                           |      |      |      |      |      |      | 29.9 | 28.7 | 26.7 | 25.4 | 23.5 | 22.1 | 20.2 | 64         |
| 68                                                                                                           |      |      |      |      |      |      |      | 26   | 24.1 | 22.8 | 20.9 | 19.6 | 17.8 | 68         |
| 72                                                                                                           |      |      |      |      |      |      |      |      | 21.7 | 20.5 | 18.7 | 17.4 | 15.6 | 72         |
| 76                                                                                                           |      |      |      |      |      |      |      |      | 19.6 | 18.4 | 16.6 | 15.3 | 13.5 | 76         |
| 80                                                                                                           |      |      |      |      |      |      |      |      |      | 16.5 | 14.7 | 13.5 | 11.7 | 80         |
| 84                                                                                                           |      |      |      |      |      |      |      |      |      |      | 13   | 11.8 | 10   | 84         |
| 88                                                                                                           |      |      |      |      |      |      |      |      |      |      |      | 11.4 | 10.2 | 88         |
| 92                                                                                                           |      |      |      |      |      |      |      |      |      |      |      |      | 8.8  | 92         |
| 96                                                                                                           |      |      |      |      |      |      |      |      |      |      |      |      |      | 96         |

**Load Chart of LJ Configuration****SCC6500A Crawler Crane - Load Chart of LJ Configuration 7/7**

| Main boom 66m, main boom angle 85° , jib length 24-66m, rear counterweight 210t and center counterweight 60t |      |      |      |      |      |      |      |      |            |
|--------------------------------------------------------------------------------------------------------------|------|------|------|------|------|------|------|------|------------|
| Radius (m)                                                                                                   | 24   | 30   | 36   | 42   | 48   | 54   | 60   | 66   | Radius (m) |
| 16                                                                                                           | 167  |      |      |      |      |      |      |      | 16         |
| 17                                                                                                           | 158  |      |      |      |      |      |      |      | 17         |
| 18                                                                                                           | 150  | 145  |      |      |      |      |      |      | 18         |
| 19                                                                                                           | 143  | 138  | 133  |      |      |      |      |      | 19         |
| 20                                                                                                           | 137  | 132  | 127  |      |      |      |      |      | 20         |
| 22                                                                                                           | 125  | 121  | 116  | 112  | 108  |      |      |      | 22         |
| 24                                                                                                           | 115  | 111  | 107  | 103  | 99   | 95.8 |      |      | 24         |
| 26                                                                                                           | 107  | 103  | 99.1 | 95.1 | 91.6 | 88.6 | 85.3 |      | 26         |
| 28                                                                                                           | 99.3 | 95.7 | 92.2 | 88.4 | 85.1 | 82.3 | 79.1 | 76.8 | 28         |
| 30                                                                                                           | 92.8 | 89.4 | 86   | 82.4 | 79.3 | 76.7 | 73.7 | 71.5 | 30         |
| 32                                                                                                           |      | 83.8 | 80.6 | 77.1 | 74.1 | 71.7 | 68.8 | 66.7 | 32         |
| 34                                                                                                           |      | 78.8 | 75.7 | 72.3 | 69.5 | 67.2 | 64.4 | 62.5 | 34         |
| 36                                                                                                           |      | 74.3 | 71.2 | 68   | 65.3 | 63.1 | 60.5 | 58.6 | 36         |
| 38                                                                                                           |      |      | 67.3 | 64.1 | 61.5 | 59.4 | 56.8 | 55   | 38         |
| 40                                                                                                           |      |      | 63.6 | 60.6 | 58.1 | 56   | 53.6 | 51.8 | 40         |
| 44                                                                                                           |      |      |      | 54.4 | 52   | 50.1 | 47.7 | 46.1 | 44         |
| 48                                                                                                           |      |      |      | 49.2 | 46.8 | 45   | 42.8 | 41.3 | 48         |
| 52                                                                                                           |      |      |      |      | 42.4 | 40.6 | 38.5 | 37.1 | 52         |
| 56                                                                                                           |      |      |      |      |      | 36.8 | 34.8 | 33.4 | 56         |
| 60                                                                                                           |      |      |      |      |      | 33.5 | 31.5 | 30.2 | 60         |
| 64                                                                                                           |      |      |      |      |      |      | 28.6 | 27.3 | 64         |
| 68                                                                                                           |      |      |      |      |      |      |      | 24.7 | 68         |

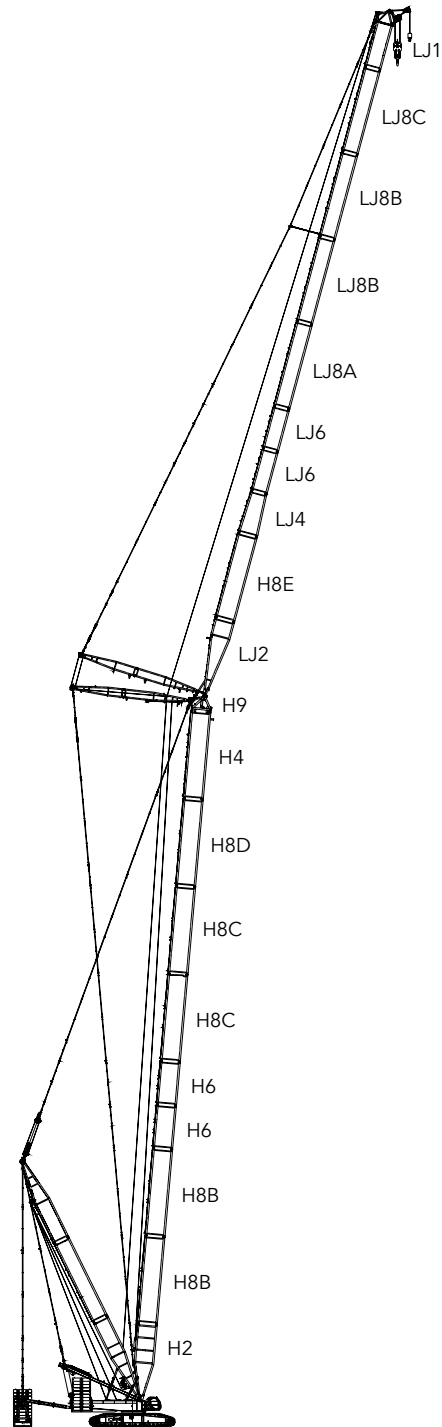
## LJDB Boom Combination

| LJDB Boom Combination |                    |            |     |
|-----------------------|--------------------|------------|-----|
| Boom length (m)       | Boom insert<br>12m | Jib insert |     |
|                       |                    | 6m         | 12m |
| 24                    | -                  | -          | -   |
| 30                    | -                  | 1          | -   |
| 36                    | 1                  | -          | -   |
| 42                    | 1                  | 1          | -   |
| 48                    | 1                  | 2          | -   |
| 54                    | 1                  | 1          | 1   |
| 60                    | 1                  | 2          | 1   |
| 66                    | 1                  | 1          | 2   |
| 72                    | 1                  | 2          | 2   |
| 78                    | 1                  | 1          | 3   |
| 84                    | 1                  | 2          | 3   |
| 90*                   | 1                  | 1          | 4   |
| 96*                   | 1                  | 2          | 4   |

Notes: configuration of main boom and working condition of main boom are consistent to each other.

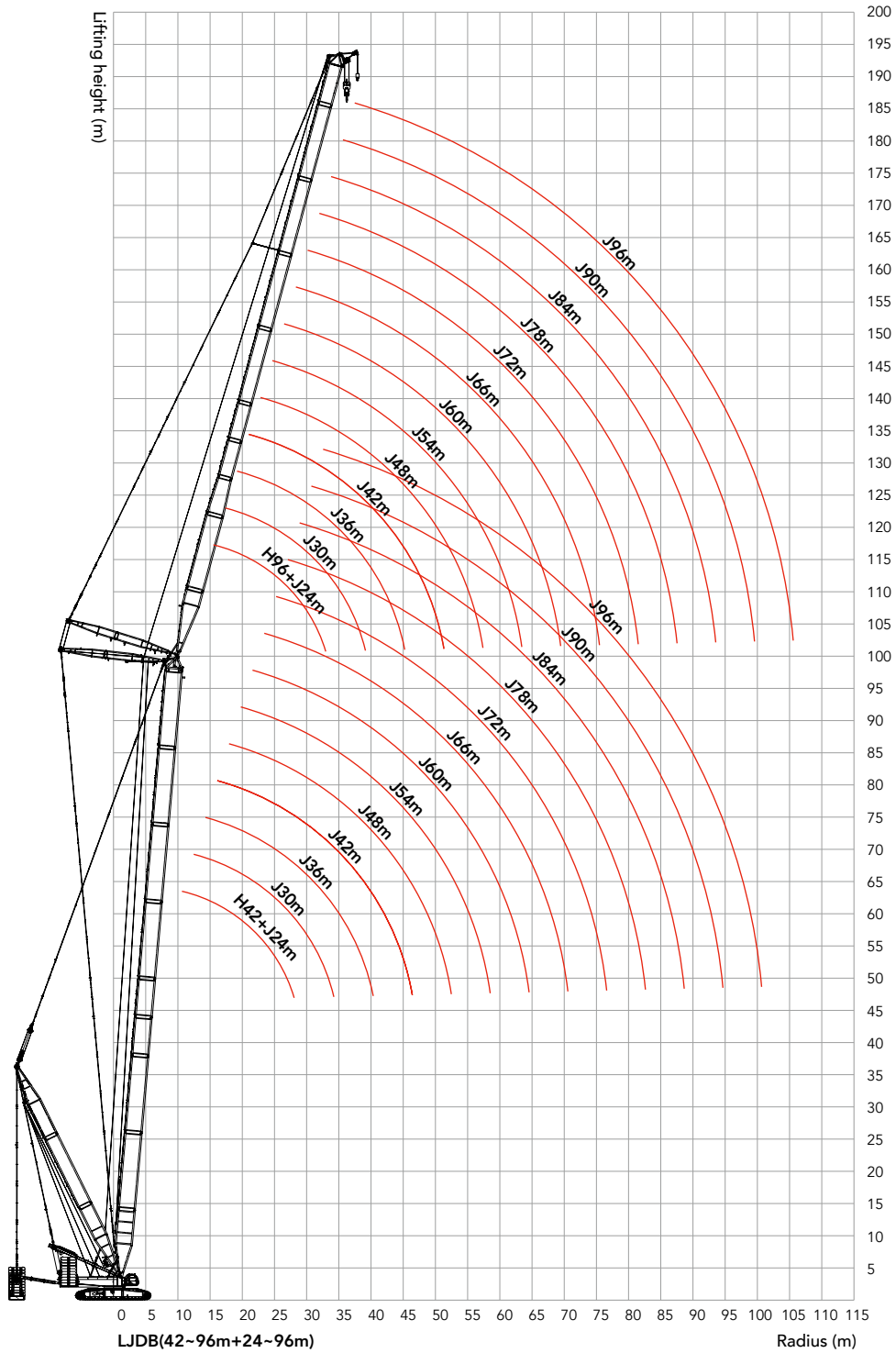
In the jib configuration: jib base, 6m tapered section and jib top are must.

\* indicates the mid-point suspension cable must be adopted for the boom, otherwise, there is danger of boom breaking.



LJDB(42~96m+24~96m)

### LJDB Work Radius



Unit: t

## Load Chart of LJDB Configuration

### SCC6500A Crawler Crane - Load Chart of LJDB Configuration 1/10

Main boom 42m, main boom angle 85°, jib length 24-96m, superlift mast 36m, superlift radius 19m, superlift counterweight 0~310t, rear counterweight 210t and center counterweight 60t

| Radius (m) | 24  | 30  | 36  | 42  | 48   | 54   | 60    | 66   | 72   | 78   | 84   | 90   | 96   | Radius (m) |
|------------|-----|-----|-----|-----|------|------|-------|------|------|------|------|------|------|------------|
| 14         | 350 |     |     |     |      |      |       |      |      |      |      |      |      | 14         |
| 16         | 350 | 350 |     |     |      |      |       |      |      |      |      |      |      | 16         |
| 18         | 330 | 330 | 292 |     |      |      |       |      |      |      |      |      |      | 18         |
| 20         | 321 | 321 | 283 | 260 | 220  |      |       |      |      |      |      |      |      | 20         |
| 22         | 306 | 303 | 273 | 245 | 210  | 180  |       |      |      |      |      |      |      | 22         |
| 24         | 267 | 273 | 258 | 235 | 205  | 178  | 151   |      |      |      |      |      |      | 24         |
| 26         | 226 | 243 | 240 | 227 | 200  | 173  | 148   | 128  | 110  |      |      |      |      | 26         |
| 28         | 189 | 218 | 218 | 215 | 195  | 168  | 146   | 125  | 108  | 91.6 |      |      |      | 28         |
| 30         |     | 191 | 199 | 200 | 188  | 162  | 144   | 124  | 106  | 90.4 | 77.5 |      |      | 30         |
| 32         |     | 165 | 180 | 181 | 180  | 157  | 142   | 123  | 105  | 88.2 | 76.6 | 65.4 |      | 32         |
| 34         |     | 141 | 165 | 166 | 166  | 151  | 141   | 121  | 104  | 86.2 | 75.5 | 64.2 | 53.5 | 34         |
| 36         |     |     | 155 | 153 | 152  | 145  | 138   | 119  | 103  | 85.1 | 74.2 | 63.3 | 52.5 | 36         |
| 38         |     |     | 143 | 142 | 141  | 136  | 135   | 117  | 102  | 83.8 | 73.3 | 62.1 | 51.2 | 38         |
| 40         |     |     | 126 | 133 | 131  | 131  | 129   | 115  | 101  | 82.7 | 72.1 | 61.4 | 50.1 | 40         |
| 44         |     |     |     | 115 | 116  | 115  | 112   | 108  | 99.2 | 81.6 | 70.9 | 60.2 | 48.6 | 44         |
| 48         |     |     |     |     | 101  | 103  | 100.0 | 97.7 | 95.8 | 78.5 | 69.5 | 59.5 | 47.2 | 48         |
| 52         |     |     |     |     | 85.2 | 91.1 | 90.5  | 88.2 | 90.3 | 77.2 | 65.8 | 56.9 | 45.1 | 52         |
| 56         |     |     |     |     |      | 78.3 | 80.4  | 78.6 | 78.8 | 73.4 | 64.7 | 55.5 | 43.8 | 56         |
| 60         |     |     |     |     |      |      | 70.8  | 73.4 | 71.5 | 69.2 | 63.4 | 51.1 | 41.9 | 60         |
| 64         |     |     |     |     |      |      | 59.9  | 65.3 | 64.7 | 63.3 | 56.8 | 45.6 | 38.0 | 64         |
| 68         |     |     |     |     |      |      |       | 56.7 | 60.4 | 57.6 | 52.2 | 41.1 | 33.3 | 68         |
| 72         |     |     |     |     |      |      |       |      | 51.9 | 52.8 | 46.9 | 37.2 | 29.1 | 72         |
| 76         |     |     |     |     |      |      |       |      |      | 48.3 | 43.1 | 33.3 | 25.4 | 76         |
| 80         |     |     |     |     |      |      |       |      |      | 42.1 | 39.2 | 29.2 | 22.2 | 80         |
| 84         |     |     |     |     |      |      |       |      |      |      | 35.2 | 26.4 | 19.2 | 84         |
| 88         |     |     |     |     |      |      |       |      |      |      |      | 23.5 | 16.7 | 88         |
| 92         |     |     |     |     |      |      |       |      |      |      |      | 21.2 | 14.1 | 92         |
| 96         |     |     |     |     |      |      |       |      |      |      |      |      | 11.4 | 96         |

**Load Chart of LJDB Configuration****SCC6500A Crawler Crane - Load Chart of LJDB Configuration 2/10**

Main boom 48m, main boom angle 85°, jib length 24-96m, superlift mast 36m, superlift radius 19m, superlift counterweight 0~310t, rear counterweight 210t and center counterweight 60t

| Radius (m) | 24  | 30  | 36  | 42  | 48   | 54   | 60   | 66   | 72    | 78   | 84   | 90   | 96   | Radius (m) |
|------------|-----|-----|-----|-----|------|------|------|------|-------|------|------|------|------|------------|
| 14         | 350 |     |     |     |      |      |      |      |       |      |      |      |      | 14         |
| 16         | 350 | 320 |     |     |      |      |      |      |       |      |      |      |      | 16         |
| 18         | 322 | 310 | 265 |     |      |      |      |      |       |      |      |      |      | 18         |
| 20         | 320 | 300 | 261 | 227 |      |      |      |      |       |      |      |      |      | 20         |
| 22         | 310 | 287 | 253 | 223 | 193  | 166  |      |      |       |      |      |      |      | 22         |
| 24         | 265 | 272 | 246 | 217 | 190  | 165  | 141  |      |       |      |      |      |      | 24         |
| 26         | 225 | 245 | 240 | 212 | 186  | 163  | 140  | 120  |       |      |      |      |      | 26         |
| 28         | 190 | 215 | 223 | 207 | 182  | 158  | 137  | 118  | 101   | 85.6 |      |      |      | 28         |
| 30         |     | 190 | 205 | 199 | 177  | 155  | 136  | 117  | 100.0 | 84.2 | 73.6 |      |      | 30         |
| 32         |     | 165 | 187 | 185 | 171  | 147  | 134  | 116  | 99.3  | 83.1 | 72.2 | 62.5 |      | 32         |
| 34         |     | 140 | 172 | 171 | 165  | 144  | 133  | 114  | 98.2  | 82.3 | 71.3 | 61.3 | 51.4 | 34         |
| 36         |     |     | 160 | 158 | 155  | 139  | 131  | 112  | 95.9  | 81.1 | 70.4 | 60.1 | 50.5 | 36         |
| 38         |     |     | 145 | 146 | 145  | 133  | 129  | 110  | 95.1  | 80.1 | 69.1 | 59.4 | 49.6 | 38         |
| 40         |     |     | 125 | 136 | 135  | 130  | 124  | 108  | 93.3  | 77.9 | 67.8 | 58.1 | 48.4 | 40         |
| 44         |     |     |     | 115 | 118  | 116  | 115  | 105  | 90.8  | 76.5 | 67.2 | 56.9 | 47.2 | 44         |
| 48         |     |     |     |     | 103  | 105  | 105  | 101  | 89.5  | 75.2 | 65.5 | 55.4 | 45.2 | 48         |
| 52         |     |     |     |     | 82.5 | 91.3 | 90.9 | 90.2 | 86.2  | 72.9 | 64.1 | 54.1 | 44.3 | 52         |
| 56         |     |     |     |     |      | 79.9 | 82.6 | 81.1 | 77.8  | 70.8 | 60.8 | 52.7 | 42.1 | 56         |
| 60         |     |     |     |     |      |      | 72.8 | 74.8 | 72.9  | 69.1 | 59.7 | 51.6 | 41.4 | 60         |
| 64         |     |     |     |     |      |      | 60.1 | 65.9 | 65.5  | 65.2 | 58.1 | 46.3 | 38.2 | 64         |
| 68         |     |     |     |     |      |      |      | 58.2 | 60.3  | 59.6 | 51.6 | 42.2 | 33.2 | 68         |
| 72         |     |     |     |     |      |      |      |      | 54.6  | 55.2 | 47.2 | 37.3 | 30.1 | 72         |
| 76         |     |     |     |     |      |      |      |      | 40.9  | 49.6 | 42.5 | 32.8 | 26.1 | 76         |
| 80         |     |     |     |     |      |      |      |      |       | 39.7 | 39.1 | 29.1 | 22.4 | 80         |
| 84         |     |     |     |     |      |      |      |      |       |      | 34.7 | 25.8 | 19.6 | 84         |
| 88         |     |     |     |     |      |      |      |      |       |      |      | 23.7 | 17.0 | 88         |
| 92         |     |     |     |     |      |      |      |      |       |      |      | 21.1 | 14.5 | 92         |
| 96         |     |     |     |     |      |      |      |      |       |      |      |      | 12.3 | 96         |



Unit: t

## Load Chart of LJDB Configuration

| SCC6500A Crawler Crane - Load Chart of LJDB Configuration 3/10                                                                                                                        |     |     |     |     |      |      |      |      |      |      |      |      |      |            |
|---------------------------------------------------------------------------------------------------------------------------------------------------------------------------------------|-----|-----|-----|-----|------|------|------|------|------|------|------|------|------|------------|
| Main boom 54m, main boom angle 85°, jib length 24-96m, superlift mast 36m, superlift radius 19m, superlift counterweight 0~310t, rear counterweight 210t and center counterweight 60t |     |     |     |     |      |      |      |      |      |      |      |      |      |            |
| Radius (m)                                                                                                                                                                            | 24  | 30  | 36  | 42  | 48   | 54   | 60   | 66   | 72   | 78   | 84   | 90   | 96   | Radius (m) |
| 16                                                                                                                                                                                    | 350 |     |     |     |      |      |      |      |      |      |      |      |      | 16         |
| 18                                                                                                                                                                                    | 323 | 290 | 265 |     |      |      |      |      |      |      |      |      |      | 18         |
| 20                                                                                                                                                                                    | 305 | 280 | 255 | 213 |      |      |      |      |      |      |      |      |      | 20         |
| 22                                                                                                                                                                                    | 288 | 265 | 240 | 210 | 190  |      |      |      |      |      |      |      |      | 22         |
| 24                                                                                                                                                                                    | 273 | 253 | 231 | 205 | 180  | 160  | 135  |      |      |      |      |      |      | 24         |
| 26                                                                                                                                                                                    | 238 | 241 | 223 | 200 | 177  | 155  | 133  | 115  |      |      |      |      |      | 26         |
| 28                                                                                                                                                                                    | 200 | 223 | 215 | 195 | 173  | 151  | 131  | 112  | 96.6 |      |      |      |      | 28         |
| 30                                                                                                                                                                                    | 163 | 196 | 206 | 190 | 168  | 146  | 129  | 111  | 95.4 | 81.1 | 70.4 |      |      | 30         |
| 32                                                                                                                                                                                    |     | 172 | 195 | 183 | 163  | 142  | 128  | 110  | 94.5 | 79.6 | 69.3 | 60.6 |      | 32         |
| 34                                                                                                                                                                                    |     | 147 | 183 | 175 | 159  | 138  | 125  | 108  | 93.3 | 78.5 | 68.1 | 59.4 | 49.6 | 34         |
| 36                                                                                                                                                                                    |     | 123 | 166 | 165 | 153  | 133  | 124  | 107  | 91.9 | 77.9 | 67.2 | 58.5 | 48.2 | 36         |
| 38                                                                                                                                                                                    |     |     | 152 | 156 | 148  | 130  | 122  | 105  | 90.7 | 77.1 | 66.3 | 57.2 | 47.1 | 38         |
| 40                                                                                                                                                                                    |     |     | 132 | 145 | 141  | 125  | 119  | 102  | 89.6 | 76.3 | 65.2 | 56.1 | 46.3 | 40         |
| 44                                                                                                                                                                                    |     |     |     | 120 | 124  | 116  | 116  | 99.1 | 87.1 | 75.2 | 64.1 | 55.3 | 45.1 | 44         |
| 48                                                                                                                                                                                    |     |     |     |     | 106  | 106  | 108  | 95.3 | 85.3 | 73.4 | 63.2 | 53.9 | 44.2 | 48         |
| 52                                                                                                                                                                                    |     |     |     |     | 85.3 | 95.5 | 95.9 | 90.8 | 80.6 | 71.1 | 62.1 | 52.3 | 42.5 | 52         |
| 56                                                                                                                                                                                    |     |     |     |     |      | 80.8 | 84.7 | 85.1 | 79.2 | 69.2 | 60.4 | 51.1 | 41.2 | 56         |
| 60                                                                                                                                                                                    |     |     |     |     |      |      | 73.1 | 75.7 | 74.1 | 66.5 | 58.3 | 50.4 | 39.8 | 60         |
| 64                                                                                                                                                                                    |     |     |     |     |      |      | 62.5 | 67.6 | 67.5 | 65.2 | 55.9 | 47.0 | 38.1 | 64         |
| 68                                                                                                                                                                                    |     |     |     |     |      |      |      | 58.2 | 60.6 | 60.2 | 53.1 | 42.3 | 33.9 | 68         |
| 72                                                                                                                                                                                    |     |     |     |     |      |      |      |      | 54.8 | 54.3 | 48.2 | 38.1 | 29.5 | 72         |
| 76                                                                                                                                                                                    |     |     |     |     |      |      |      |      | 45.9 | 45.7 | 43.4 | 34.0 | 26.5 | 76         |
| 80                                                                                                                                                                                    |     |     |     |     |      |      |      |      |      | 42.5 | 39.5 | 30.2 | 23.2 | 80         |
| 84                                                                                                                                                                                    |     |     |     |     |      |      |      |      |      |      | 36.1 | 26.8 | 20.3 | 84         |
| 88                                                                                                                                                                                    |     |     |     |     |      |      |      |      |      |      | 32.6 | 24.3 | 17.5 | 88         |
| 92                                                                                                                                                                                    |     |     |     |     |      |      |      |      |      |      |      | 21.3 | 14.4 | 92         |
| 96                                                                                                                                                                                    |     |     |     |     |      |      |      |      |      |      |      |      | 12.3 | 96         |

## Load Chart of LJDB Configuration

### SCC6500A Crawler Crane - Load Chart of LJDB Configuration 4/10

Main boom 60m, main boom angle 85°, jib length 24-96m, superlift mast 36m, superlift radius 19m, superlift counterweight 0~310t, rear counterweight 210t and center counterweight 60t

| Radius (m) | 24  | 30  | 36  | 42   | 48   | 54   | 60   | 66   | 72   | 78   | 84   | 90   | 96   | Radius (m) |
|------------|-----|-----|-----|------|------|------|------|------|------|------|------|------|------|------------|
| 16         | 300 |     |     |      |      |      |      |      |      |      |      |      |      | 16         |
| 18         | 292 | 262 |     |      |      |      |      |      |      |      |      |      |      | 18         |
| 20         | 273 | 250 | 230 | 200  |      |      |      |      |      |      |      |      |      | 20         |
| 22         | 260 | 238 | 220 | 192  | 170  |      |      |      |      |      |      |      |      | 22         |
| 24         | 245 | 227 | 210 | 186  | 165  | 145  |      |      |      |      |      |      |      | 24         |
| 26         | 231 | 218 | 205 | 182  | 161  | 141  | 123  | 110  |      |      |      |      |      | 26         |
| 28         | 210 | 207 | 192 | 178  | 157  | 139  | 121  | 106  | 92.5 |      |      |      |      | 28         |
| 30         | 175 | 197 | 185 | 170  | 155  | 136  | 119  | 104  | 90.1 | 76.8 |      |      |      | 30         |
| 32         |     | 180 | 175 | 165  | 151  | 133  | 118  | 103  | 88.0 | 75.4 | 65.1 |      |      | 32         |
| 34         |     | 155 | 170 | 158  | 147  | 129  | 115  | 101  | 87.4 | 74.2 | 64.2 | 55.5 | 46.7 | 34         |
| 36         |     | 130 | 160 | 153  | 141  | 126  | 114  | 98.8 | 86.2 | 73.3 | 63.3 | 54.2 | 45.2 | 36         |
| 38         |     |     | 150 | 148  | 138  | 121  | 112  | 97.5 | 85.1 | 72.2 | 62.2 | 52.8 | 44.4 | 38         |
| 40         |     |     | 138 | 138  | 132  | 117  | 110  | 96.1 | 84.4 | 71.2 | 61.5 | 53.3 | 43.6 | 40         |
| 44         |     |     |     | 120  | 118  | 111  | 98.1 | 92.2 | 82.2 | 68.9 | 60.4 | 52.4 | 42.1 | 44         |
| 48         |     |     |     | 96.2 | 104  | 102  | 88.5 | 89.1 | 78.8 | 67.8 | 58.7 | 51.6 | 41.4 | 48         |
| 52         |     |     |     |      | 90.5 | 80.4 | 78.9 | 84.8 | 76.5 | 66.5 | 57.1 | 50.5 | 40.3 | 52         |
| 56         |     |     |     |      |      | 78.9 | 70.3 | 77.5 | 73.4 | 65.4 | 55.4 | 48.5 | 38.5 | 56         |
| 60         |     |     |     |      |      |      | 63.2 | 69.1 | 67.4 | 63.2 | 54.3 | 47.4 | 37.4 | 60         |
| 64         |     |     |     |      |      |      | 61.5 | 63.0 | 61.1 | 60.0 | 53.2 | 46.6 | 36.1 | 64         |
| 68         |     |     |     |      |      |      |      | 56.4 | 56.1 | 54.3 | 51.4 | 41.9 | 34.6 | 68         |
| 72         |     |     |     |      |      |      |      |      | 50.3 | 49.4 | 48.2 | 38.3 | 30.3 | 72         |
| 76         |     |     |     |      |      |      |      |      | 45.1 | 45.2 | 44.1 | 34.4 | 25.9 | 76         |
| 80         |     |     |     |      |      |      |      |      |      | 40.9 | 39.3 | 30.2 | 23.6 | 80         |
| 84         |     |     |     |      |      |      |      |      |      |      | 35.9 | 27.2 | 20.2 | 84         |
| 88         |     |     |     |      |      |      |      |      |      |      | 32.8 | 24.4 | 17.5 | 88         |
| 92         |     |     |     |      |      |      |      |      |      |      |      | 21.8 | 15.2 | 92         |
| 96         |     |     |     |      |      |      |      |      |      |      |      |      | 12.7 | 96         |
| 100        |     |     |     |      |      |      |      |      |      |      |      |      | 10.6 | 100        |

Unit: t

## Load Chart of LJDB Configuration

| SCC6500A Crawler Crane - Load Chart of LJDB Configuration 5/10                                                                                                                        |     |     |     |      |      |      |      |      |      |      |      |      |      |            |
|---------------------------------------------------------------------------------------------------------------------------------------------------------------------------------------|-----|-----|-----|------|------|------|------|------|------|------|------|------|------|------------|
| Main boom 66m, main boom angle 85°, jib length 24-96m, superlift mast 36m, superlift radius 19m, superlift counterweight 0~310t, rear counterweight 210t and center counterweight 60t |     |     |     |      |      |      |      |      |      |      |      |      |      |            |
| Radius (m)                                                                                                                                                                            | 24  | 30  | 36  | 42   | 48   | 54   | 60   | 66   | 72   | 78   | 84   | 90   | 96   | Radius (m) |
| 16                                                                                                                                                                                    | 270 |     |     |      |      |      |      |      |      |      |      |      |      | 16         |
| 18                                                                                                                                                                                    | 261 | 235 |     |      |      |      |      |      |      |      |      |      |      | 18         |
| 20                                                                                                                                                                                    | 250 | 230 | 208 |      |      |      |      |      |      |      |      |      |      | 20         |
| 22                                                                                                                                                                                    | 235 | 215 | 199 | 180  | 155  |      |      |      |      |      |      |      |      | 22         |
| 24                                                                                                                                                                                    | 221 | 206 | 190 | 173  | 150  | 132  |      |      |      |      |      |      |      | 24         |
| 26                                                                                                                                                                                    | 210 | 200 | 185 | 169  | 147  | 130  | 115  |      |      |      |      |      |      | 26         |
| 28                                                                                                                                                                                    | 200 | 188 | 175 | 161  | 143  | 128  | 112  | 101  | 88.7 |      |      |      |      | 28         |
| 30                                                                                                                                                                                    | 182 | 178 | 168 | 155  | 140  | 124  | 110  | 98.6 | 85.4 | 75.4 |      |      |      | 30         |
| 32                                                                                                                                                                                    |     | 171 | 161 | 149  | 136  | 122  | 108  | 95.2 | 83.2 | 72.1 | 62.5 |      |      | 32         |
| 34                                                                                                                                                                                    |     | 160 | 153 | 140  | 132  | 120  | 107  | 93.1 | 82.1 | 70.8 | 61.3 | 52.4 |      | 34         |
| 36                                                                                                                                                                                    |     | 135 | 146 | 138  | 128  | 117  | 106  | 92.3 | 79.8 | 69.5 | 60.5 | 51.1 | 43.6 | 36         |
| 38                                                                                                                                                                                    |     |     | 138 | 132  | 124  | 114  | 104  | 90.2 | 78.2 | 68.4 | 59.2 | 50.6 | 42.4 | 38         |
| 40                                                                                                                                                                                    |     |     | 129 | 126  | 119  | 111  | 102  | 89.4 | 77.6 | 67.1 | 58.3 | 49.3 | 41.3 | 40         |
| 44                                                                                                                                                                                    |     |     |     | 110  | 107  | 104  | 98.4 | 84.8 | 75.4 | 66.6 | 57.1 | 48.2 | 40.2 | 44         |
| 48                                                                                                                                                                                    |     |     |     | 94.8 | 94.3 | 92.1 | 89.3 | 82.2 | 73.2 | 64.3 | 55.6 | 47.4 | 39.4 | 48         |
| 52                                                                                                                                                                                    |     |     |     |      | 82.8 | 81.9 | 79.9 | 78.2 | 68.3 | 62.2 | 53.5 | 46.4 | 38.5 | 52         |
| 56                                                                                                                                                                                    |     |     |     |      |      | 72.8 | 71.2 | 70.4 | 65.9 | 61.5 | 51.8 | 45.7 | 36.6 | 56         |
| 60                                                                                                                                                                                    |     |     |     |      |      |      | 65.1 | 63.8 | 62.5 | 61.5 | 59.3 | 50.6 | 44.6 | 60         |
| 64                                                                                                                                                                                    |     |     |     |      |      |      |      | 57.1 | 56.8 | 55.5 | 54.4 | 49.4 | 43.5 | 64         |
| 68                                                                                                                                                                                    |     |     |     |      |      |      |      |      | 51.4 | 50.6 | 48.8 | 47.3 | 42.2 | 68         |
| 72                                                                                                                                                                                    |     |     |     |      |      |      |      |      |      | 45.4 | 45.3 | 43.3 | 37.8 | 72         |
| 76                                                                                                                                                                                    |     |     |     |      |      |      |      |      |      |      | 40.9 | 40.5 | 39.9 | 76         |
| 80                                                                                                                                                                                    |     |     |     |      |      |      |      |      |      |      |      | 37.3 | 36.5 | 80         |
| 84                                                                                                                                                                                    |     |     |     |      |      |      |      |      |      |      |      |      | 32.8 | 84         |
| 88                                                                                                                                                                                    |     |     |     |      |      |      |      |      |      |      |      |      |      | 88         |
| 92                                                                                                                                                                                    |     |     |     |      |      |      |      |      |      |      |      |      |      | 92         |
| 96                                                                                                                                                                                    |     |     |     |      |      |      |      |      |      |      |      |      |      | 96         |
| 100                                                                                                                                                                                   |     |     |     |      |      |      |      |      |      |      |      |      |      | 100        |

**Load Chart of LJDB Configuration****SCC6500A Crawler Crane - Load Chart of LJDB Configuration 6/10**

Main boom 72m, main boom angle 85°, jib length 24-96m, superlift mast 36m, superlift radius 19m, superlift counterweight 0~310t, rear counterweight 210t and center counterweight 60t

| Radius (m) | 24  | 30  | 36  | 42   | 48   | 54   | 60    | 66   | 72   | 78   | 84   | 90   | 96   | Radius (m) |
|------------|-----|-----|-----|------|------|------|-------|------|------|------|------|------|------|------------|
| 18         | 235 | 210 |     |      |      |      |       |      |      |      |      |      |      | 18         |
| 20         | 222 | 200 | 180 |      |      |      |       |      |      |      |      |      |      | 20         |
| 22         | 212 | 193 | 175 | 159  |      |      |       |      |      |      |      |      |      | 22         |
| 24         | 202 | 187 | 169 | 155  | 137  | 119  |       |      |      |      |      |      |      | 24         |
| 26         | 192 | 180 | 163 | 147  | 136  | 117  | 104   |      |      |      |      |      |      | 26         |
| 28         | 183 | 171 | 158 | 143  | 130  | 115  | 102   | 92.6 |      |      |      |      |      | 28         |
| 30         | 175 | 165 | 152 | 139  | 127  | 113  | 100.0 | 89.5 | 79.6 | 69.4 |      |      |      | 30         |
| 32         |     | 155 | 145 | 135  | 122  | 110  | 99.4  | 88.4 | 77.5 | 67.2 | 58.8 |      |      | 32         |
| 34         |     | 148 | 139 | 129  | 118  | 107  | 97.2  | 86.3 | 75.4 | 65.1 | 56.2 | 51.2 |      | 34         |
| 36         |     | 142 | 135 | 125  | 115  | 104  | 95.2  | 85.7 | 74.3 | 64.3 | 55.3 | 48.9 | 43.8 | 36         |
| 38         |     |     | 128 | 121  | 111  | 101  | 92.5  | 82.9 | 73.2 | 63.5 | 54.3 | 47.5 | 41.4 | 38         |
| 40         |     |     | 119 | 116  | 108  | 98.5 | 90.3  | 81.7 | 72.5 | 62.4 | 52.9 | 46.1 | 40.2 | 40         |
| 44         |     |     |     | 102  | 98.8 | 93.4 | 85.5  | 78.5 | 70.1 | 61.3 | 52.1 | 45.4 | 38.8 | 44         |
| 48         |     |     |     | 88.9 | 87.1 | 85.2 | 82.2  | 75.6 | 66.7 | 59.9 | 50.8 | 44.3 | 37.5 | 48         |
| 52         |     |     |     |      | 77.2 | 76.2 | 74.1  | 71.4 | 63.6 | 58.5 | 49.6 | 43.2 | 35.4 | 52         |
| 56         |     |     |     |      |      | 67.2 | 66.3  | 65.1 | 61.4 | 56.5 | 48.8 | 42.1 | 34.3 | 56         |
| 60         |     |     |     |      |      |      | 59.8  | 59.2 | 58.4 | 55.9 | 54.3 | 47.5 | 41.2 | 60         |
| 64         |     |     |     |      |      |      |       | 52.4 | 51.9 | 50.7 | 49.8 | 45.6 | 40.4 | 64         |
| 68         |     |     |     |      |      |      |       |      | 47.3 | 46.4 | 44.9 | 42.3 | 39.2 | 68         |
| 72         |     |     |     |      |      |      |       |      | 41.6 | 41.5 | 41.5 | 40.2 | 38.2 | 72         |
| 76         |     |     |     |      |      |      |       |      |      | 38.1 | 37.2 | 36.3 | 35.2 | 76         |
| 80         |     |     |     |      |      |      |       |      |      |      | 34.3 | 33.2 | 31.5 | 80         |
| 84         |     |     |     |      |      |      |       |      |      |      |      | 31.0 | 30.2 | 84         |
| 88         |     |     |     |      |      |      |       |      |      |      |      |      | 27.5 | 88         |
| 92         |     |     |     |      |      |      |       |      |      |      |      |      |      | 92         |
| 96         |     |     |     |      |      |      |       |      |      |      |      |      |      | 96         |
| 100        |     |     |     |      |      |      |       |      |      |      |      |      |      | 100        |

Unit: t

## Load Chart of LJDB Configuration

| SCC6500A Crawler Crane - Load Chart of LJDB Configuration 7/10                                                                                                                        |     |     |      |       |       |       |      |      |      |      |      |      |      |            |
|---------------------------------------------------------------------------------------------------------------------------------------------------------------------------------------|-----|-----|------|-------|-------|-------|------|------|------|------|------|------|------|------------|
| Main boom 78m, main boom angle 85°, jib length 24-96m, superlift mast 36m, superlift radius 19m, superlift counterweight 0~310t, rear counterweight 210t and center counterweight 60t |     |     |      |       |       |       |      |      |      |      |      |      |      |            |
| Radius (m)                                                                                                                                                                            | 24  | 30  | 36   | 42    | 48    | 54    | 60   | 66   | 72   | 78   | 84   | 90   | 96   | Radius (m) |
| 18                                                                                                                                                                                    | 205 |     |      |       |       |       |      |      |      |      |      |      |      | 18         |
| 20                                                                                                                                                                                    | 193 | 173 | 151  |       |       |       |      |      |      |      |      |      |      | 20         |
| 22                                                                                                                                                                                    | 185 | 165 | 148  | 131   |       |       |      |      |      |      |      |      |      | 22         |
| 24                                                                                                                                                                                    | 176 | 159 | 143  | 129   | 115   |       |      |      |      |      |      |      |      | 24         |
| 26                                                                                                                                                                                    | 169 | 153 | 138  | 125   | 113   | 103   | 90.5 |      |      |      |      |      |      | 26         |
| 28                                                                                                                                                                                    | 162 | 147 | 133  | 121   | 110   | 100.0 | 87.9 | 78.5 |      |      |      |      |      | 28         |
| 30                                                                                                                                                                                    | 156 | 142 | 129  | 118   | 106   | 97.5  | 86.5 | 76.4 | 69.5 |      |      |      |      | 30         |
| 32                                                                                                                                                                                    | 153 | 136 | 124  | 114   | 103   | 94.8  | 85.3 | 75.2 | 66.3 | 60.4 |      |      |      | 32         |
| 34                                                                                                                                                                                    |     | 133 | 120  | 110   | 100.0 | 92.6  | 84.1 | 73.6 | 65.2 | 58.1 | 52.5 | 45.4 |      | 34         |
| 36                                                                                                                                                                                    |     | 129 | 115  | 107   | 97.5  | 90.2  | 83.2 | 71.2 | 63.4 | 56.3 | 50.2 | 43.2 | 37.5 | 36         |
| 38                                                                                                                                                                                    |     | 120 | 112  | 102   | 94.1  | 87.1  | 80.4 | 69.9 | 62.2 | 55.2 | 48.2 | 42.1 | 35.4 | 38         |
| 40                                                                                                                                                                                    |     |     | 109  | 100.0 | 91.2  | 84.2  | 78.7 | 68.7 | 60.5 | 54.1 | 47.3 | 41.3 | 34.2 | 40         |
| 44                                                                                                                                                                                    |     |     | 95.8 | 93.2  | 85.4  | 81.3  | 76.2 | 65.1 | 59.6 | 53.6 | 45.3 | 40.5 | 34.1 | 44         |
| 48                                                                                                                                                                                    |     |     |      | 82.1  | 78.9  | 75.8  | 72.1 | 63.2 | 58.5 | 51.2 | 44.2 | 39.1 | 34.1 | 48         |
| 52                                                                                                                                                                                    |     |     |      |       | 69.8  | 69.1  | 67.6 | 60.5 | 56.2 | 49.1 | 42.1 | 38.3 | 33.2 | 52         |
| 56                                                                                                                                                                                    |     |     |      |       |       | 62.1  | 60.2 | 57.3 | 53.4 | 47.5 | 41.2 | 36.2 | 32.2 | 56         |
| 60                                                                                                                                                                                    |     |     |      |       |       | 55.2  | 54.1 | 53.2 | 50.2 | 44.3 | 38.9 | 35.5 | 31.4 | 60         |
| 64                                                                                                                                                                                    |     |     |      |       |       |       | 49.0 | 48.0 | 46.1 | 42.5 | 37.2 | 34.4 | 30.5 | 64         |
| 68                                                                                                                                                                                    |     |     |      |       |       |       |      | 43.2 | 42.3 | 41.2 | 36.2 | 31.3 | 29.2 | 68         |
| 72                                                                                                                                                                                    |     |     |      |       |       |       |      | 39.3 | 38.5 | 37.1 | 35.4 | 30.5 | 28.1 | 72         |
| 76                                                                                                                                                                                    |     |     |      |       |       |       |      |      | 34.2 | 33.8 | 32.7 | 28.3 | 27.2 | 76         |
| 80                                                                                                                                                                                    |     |     |      |       |       |       |      |      |      | 31.1 | 30.1 | 27.2 | 24.3 | 80         |
| 84                                                                                                                                                                                    |     |     |      |       |       |       |      |      |      | 28.2 | 26.8 | 26.4 | 21.2 | 84         |
| 88                                                                                                                                                                                    |     |     |      |       |       |       |      |      |      |      | 24.7 | 24.3 | 18.5 | 88         |
| 92                                                                                                                                                                                    |     |     |      |       |       |       |      |      |      |      |      | 22.2 | 16.0 | 92         |
| 96                                                                                                                                                                                    |     |     |      |       |       |       |      |      |      |      |      | 20.1 | 13.3 | 96         |
| 100                                                                                                                                                                                   |     |     |      |       |       |       |      |      |      |      |      |      | 11.4 | 100        |

## Load Chart of LJDB Configuration

### SCC6500A Crawler Crane - Load Chart of LJDB Configuration 8/10

Main boom 84m, main boom angle 85°, jib length 24-96m, superlift mast 36m, superlift radius 19m, superlift counterweight 0~310t, rear counterweight 210t and center counterweight 60t

| Radius (m) | 24  | 30  | 36   | 42    | 48    | 54   | 60   | 66   | 72   | 78   | 84   | 90   | 96   | Radius (m) |
|------------|-----|-----|------|-------|-------|------|------|------|------|------|------|------|------|------------|
| 18         | 190 |     |      |       |       |      |      |      |      |      |      |      |      | 18         |
| 20         | 180 | 157 |      |       |       |      |      |      |      |      |      |      |      | 20         |
| 22         | 170 | 152 | 140  | 123   |       |      |      |      |      |      |      |      |      | 22         |
| 24         | 163 | 147 | 138  | 121   | 110   |      |      |      |      |      |      |      |      | 24         |
| 26         | 155 | 142 | 133  | 117   | 106   | 95.8 |      |      |      |      |      |      |      | 26         |
| 28         | 145 | 137 | 130  | 114   | 103   | 92.2 | 82.5 | 73.7 |      |      |      |      |      | 28         |
| 30         | 141 | 132 | 126  | 110   | 100.0 | 90.4 | 80.4 | 71.4 | 63.8 |      |      |      |      | 30         |
| 32         | 138 | 126 | 121  | 107   | 98.5  | 88.6 | 78.6 | 70.3 | 62.7 | 55.6 |      |      |      | 32         |
| 34         |     | 121 | 117  | 104   | 94.4  | 86.2 | 76.5 | 68.5 | 60.4 | 53.1 | 46.3 |      |      | 34         |
| 36         |     | 116 | 113  | 100.0 | 91.5  | 84.1 | 74.2 | 67.6 | 59.2 | 52.1 | 45.2 | 40.1 | 33.7 | 36         |
| 38         |     | 113 | 109  | 95.8  | 88.6  | 82.1 | 73.3 | 66.5 | 58.3 | 51.3 | 44.1 | 38.9 | 32.2 | 38         |
| 40         |     |     | 102  | 94.4  | 86.2  | 80.6 | 71.5 | 65.4 | 57.1 | 50.4 | 43.5 | 38.1 | 31.4 | 40         |
| 44         |     |     | 89.9 | 86.3  | 80.7  | 74.8 | 68.5 | 63.2 | 55.7 | 49.2 | 42.2 | 37.2 | 30.3 | 44         |
| 48         |     |     |      | 76.8  | 74.3  | 70.4 | 64.4 | 60.4 | 53.6 | 48.4 | 41.2 | 36.4 | 29.1 | 48         |
| 52         |     |     |      |       | 66.1  | 64.3 | 60.9 | 58.6 | 50.2 | 47.3 | 40.4 | 35.3 | 28.2 | 52         |
| 56         |     |     |      |       | 58.9  | 57.1 | 56.1 | 53.5 | 49.3 | 45.4 | 38.9 | 34.1 | 27.5 | 56         |
| 60         |     |     |      |       |       | 51.3 | 50.1 | 49.4 | 47.4 | 43.2 | 38.2 | 32.7 | 26.1 | 60         |
| 64         |     |     |      |       |       |      | 45.2 | 44.4 | 43.2 | 40.8 | 37.1 | 31.2 | 25.4 | 64         |
| 68         |     |     |      |       |       |      |      | 40.2 | 39.0 | 38.0 | 35.4 | 30.5 | 25.3 | 68         |
| 72         |     |     |      |       |       |      |      | 35.8 | 35.1 | 34.5 | 33.3 | 29.4 | 24.4 | 72         |
| 76         |     |     |      |       |       |      |      |      | 32.2 | 31.1 | 30.3 | 28.2 | 23.5 | 76         |
| 80         |     |     |      |       |       |      |      |      |      | 28.7 | 27.7 | 26.6 | 22.2 | 80         |
| 84         |     |     |      |       |       |      |      |      |      | 25.8 | 24.7 | 24.3 | 21.4 | 84         |
| 88         |     |     |      |       |       |      |      |      |      |      | 22.3 | 21.8 | 18.6 | 88         |
| 92         |     |     |      |       |       |      |      |      |      |      |      | 20.1 | 16.0 | 92         |
| 96         |     |     |      |       |       |      |      |      |      |      |      | 18.5 | 13.7 | 96         |
| 100        |     |     |      |       |       |      |      |      |      |      |      |      | 11.5 | 100        |

Unit: t

## Load Chart of LJDB Configuration

| SCC6500A Crawler Crane - Load Chart of LJDB Configuration 9/10                                                                                                                        |     |     |       |       |      |      |      |      |      |      |      |      |      |            |
|---------------------------------------------------------------------------------------------------------------------------------------------------------------------------------------|-----|-----|-------|-------|------|------|------|------|------|------|------|------|------|------------|
| Main boom 90m, main boom angle 85°, jib length 24-96m, superlift mast 36m, superlift radius 19m, superlift counterweight 0~310t, rear counterweight 210t and center counterweight 60t |     |     |       |       |      |      |      |      |      |      |      |      |      |            |
| Radius (m)                                                                                                                                                                            | 24  | 30  | 36    | 42    | 48   | 54   | 60   | 66   | 72   | 78   | 84   | 90   | 96   | Radius (m) |
| 18                                                                                                                                                                                    | 165 |     |       |       |      |      |      |      |      |      |      |      |      | 18         |
| 20                                                                                                                                                                                    | 162 | 140 |       |       |      |      |      |      |      |      |      |      |      | 20         |
| 22                                                                                                                                                                                    | 155 | 138 | 128   |       |      |      |      |      |      |      |      |      |      | 22         |
| 24                                                                                                                                                                                    | 149 | 135 | 123   | 110   | 97.8 |      |      |      |      |      |      |      |      | 24         |
| 26                                                                                                                                                                                    | 143 | 130 | 120   | 107   | 95.5 | 83.6 |      |      |      |      |      |      |      | 26         |
| 28                                                                                                                                                                                    | 138 | 126 | 115   | 104   | 93.4 | 82.4 | 73.9 |      |      |      |      |      |      | 28         |
| 30                                                                                                                                                                                    | 131 | 121 | 112   | 103   | 91.2 | 81.1 | 72.5 | 64.6 |      |      |      |      |      | 30         |
| 32                                                                                                                                                                                    | 126 | 116 | 108   | 100.0 | 89.6 | 80.2 | 71.4 | 63.4 | 55.8 | 49.5 |      |      |      | 32         |
| 34                                                                                                                                                                                    |     | 113 | 103   | 97.5  | 87.2 | 78.5 | 70.3 | 62.5 | 54.6 | 48.4 | 43.5 |      |      | 34         |
| 36                                                                                                                                                                                    |     | 108 | 100.0 | 94.3  | 84.4 | 77.2 | 69.5 | 61.7 | 53.2 | 47.6 | 42.1 | 36.7 |      | 36         |
| 38                                                                                                                                                                                    |     | 105 | 98.5  | 90.9  | 82.6 | 75.6 | 67.7 | 60.2 | 52.5 | 46.2 | 41.6 | 35.8 | 30.5 | 38         |
| 40                                                                                                                                                                                    |     |     | 93.1  | 87.8  | 79.5 | 73.4 | 65.6 | 59.3 | 51.4 | 45.1 | 40.4 | 34.5 | 29.4 | 40         |
| 44                                                                                                                                                                                    |     |     | 81.9  | 79.2  | 75.4 | 70.1 | 62.3 | 57.8 | 50.2 | 44.2 | 39.5 | 33.2 | 28.2 | 44         |
| 48                                                                                                                                                                                    |     |     |       | 70.2  | 67.7 | 65.2 | 60.1 | 55.2 | 49.4 | 43.4 | 38.6 | 32.4 | 27.3 | 48         |
| 52                                                                                                                                                                                    |     |     |       |       | 60.5 | 57.8 | 56.2 | 52.4 | 47.6 | 41.1 | 37.2 | 31.3 | 26.5 | 52         |
| 56                                                                                                                                                                                    |     |     |       |       | 54.4 | 52.2 | 51.1 | 48.9 | 45.4 | 39.4 | 35.1 | 30.5 | 25.4 | 56         |
| 60                                                                                                                                                                                    |     |     |       |       |      | 47.1 | 45.2 | 44.6 | 42.9 | 36.5 | 33.4 | 29.4 | 24.1 | 60         |
| 64                                                                                                                                                                                    |     |     |       |       |      |      | 41.4 | 40.3 | 39.0 | 35.2 | 31.4 | 28.2 | 24.1 | 64         |
| 68                                                                                                                                                                                    |     |     |       |       |      |      | 36.8 | 35.7 | 35.4 | 33.2 | 30.2 | 27.6 | 23.2 | 68         |
| 72                                                                                                                                                                                    |     |     |       |       |      |      |      | 33.1 | 32.3 | 31.2 | 29.2 | 26.5 | 22.4 | 72         |
| 76                                                                                                                                                                                    |     |     |       |       |      |      |      |      | 29.1 | 28.3 | 27.2 | 25.4 | 22.4 | 76         |
| 80                                                                                                                                                                                    |     |     |       |       |      |      |      |      |      | 25.4 | 24.4 | 23.2 | 21.3 | 80         |
| 84                                                                                                                                                                                    |     |     |       |       |      |      |      |      |      |      | 23.3 | 22.6 | 21.4 | 84         |
| 88                                                                                                                                                                                    |     |     |       |       |      |      |      |      |      |      |      | 20.2 | 19.2 | 88         |
| 92                                                                                                                                                                                    |     |     |       |       |      |      |      |      |      |      |      |      | 18.1 | 92         |
| 96                                                                                                                                                                                    |     |     |       |       |      |      |      |      |      |      |      |      | 16.1 | 96         |
| 100                                                                                                                                                                                   |     |     |       |       |      |      |      |      |      |      |      |      |      | 100        |

## Load Chart of LJDB Configuration

| SCC6500A Crawler Crane - Load Chart of LJDB Configuration 10/10                                                                                                                       |     |       |       |      |      |      |      |      |      |      |      |      |      |            |
|---------------------------------------------------------------------------------------------------------------------------------------------------------------------------------------|-----|-------|-------|------|------|------|------|------|------|------|------|------|------|------------|
| Main boom 96m, main boom angle 85°, jib length 24-96m, superlift mast 36m, superlift radius 19m, superlift counterweight 0~310t, rear counterweight 210t and center counterweight 60t |     |       |       |      |      |      |      |      |      |      |      |      |      |            |
| Radius (m)                                                                                                                                                                            | 24  | 30    | 36    | 42   | 48   | 54   | 60   | 66   | 72   | 78   | 84   | 90   | 96   | Radius (m) |
| 20                                                                                                                                                                                    | 150 | 130   |       |      |      |      |      |      |      |      |      |      |      | 20         |
| 22                                                                                                                                                                                    | 140 | 125   | 110   |      |      |      |      |      |      |      |      |      |      | 22         |
| 24                                                                                                                                                                                    | 133 | 120   | 107   | 95.7 |      |      |      |      |      |      |      |      |      | 24         |
| 26                                                                                                                                                                                    | 129 | 115   | 105   | 93.2 | 85.6 | 73.4 |      |      |      |      |      |      |      | 26         |
| 28                                                                                                                                                                                    | 122 | 110   | 100.0 | 91.4 | 83.3 | 72.6 | 64.7 |      |      |      |      |      |      | 28         |
| 30                                                                                                                                                                                    | 115 | 106   | 98.5  | 89.5 | 80.5 | 71.5 | 63.6 | 57.6 |      |      |      |      |      | 30         |
| 32                                                                                                                                                                                    | 113 | 103   | 95.4  | 85.4 | 78.1 | 70.2 | 62.5 | 56.2 | 49.9 |      |      |      |      | 32         |
| 34                                                                                                                                                                                    | 110 | 100.0 | 91.7  | 83.3 | 75.6 | 69.6 | 61.2 | 55.1 | 48.2 | 43.6 | 37.7 |      |      | 34         |
| 36                                                                                                                                                                                    |     | 95.4  | 89.2  | 81.2 | 73.4 | 68.5 | 60.6 | 54.3 | 47.5 | 42.4 | 36.5 | 32.6 |      | 36         |
| 38                                                                                                                                                                                    |     | 91.1  | 83.2  | 77.9 | 70.1 | 67.2 | 59.4 | 53.7 | 46.1 | 41.2 | 35.6 | 31.5 | 25.6 | 38         |
| 40                                                                                                                                                                                    |     |       | 81.4  | 76.4 | 69.7 | 65.1 | 58.3 | 52.2 | 45.2 | 40.2 | 34.2 | 30.4 | 25.4 | 40         |
| 44                                                                                                                                                                                    |     |       | 76.4  | 71.6 | 65.5 | 61.3 | 57.2 | 50.5 | 44.4 | 39.4 | 33.4 | 29.2 | 24.8 | 44         |
| 48                                                                                                                                                                                    |     |       |       | 65.8 | 62.2 | 58.2 | 55.4 | 48.6 | 42.2 | 38.6 | 32.5 | 28.3 | 24.3 | 48         |
| 52                                                                                                                                                                                    |     |       |       |      | 56.4 | 55.0 | 51.2 | 46.4 | 41.3 | 36.5 | 31.5 | 27.4 | 23.2 | 52         |
| 56                                                                                                                                                                                    |     |       |       |      | 50.9 | 49.2 | 47.4 | 43.3 | 37.8 | 35.1 | 30.4 | 26.1 | 22.5 | 56         |
| 60                                                                                                                                                                                    |     |       |       |      |      | 44.2 | 42.7 | 41.5 | 36.2 | 33.7 | 29.1 | 25.4 | 21.1 | 60         |
| 64                                                                                                                                                                                    |     |       |       |      |      |      | 37.9 | 37.4 | 34.3 | 32.6 | 28.7 | 23.9 | 20.3 | 64         |
| 68                                                                                                                                                                                    |     |       |       |      |      |      | 35.0 | 34.1 | 32.7 | 30.5 | 27.6 | 22.8 | 19.5 | 68         |
| 72                                                                                                                                                                                    |     |       |       |      |      |      |      | 31.1 | 29.2 | 28.2 | 26.5 | 22.1 | 18.1 | 72         |
| 76                                                                                                                                                                                    |     |       |       |      |      |      |      |      | 27.0 | 26.1 | 24.3 | 21.2 | 17.3 | 76         |
| 80                                                                                                                                                                                    |     |       |       |      |      |      |      |      | 23.9 | 23.7 | 22.1 | 20.3 | 16.2 | 80         |
| 84                                                                                                                                                                                    |     |       |       |      |      |      |      |      |      | 21.8 | 20.2 | 19.1 | 15.4 | 84         |
| 88                                                                                                                                                                                    |     |       |       |      |      |      |      |      |      |      | 18.1 | 17.8 | 14.7 | 88         |
| 92                                                                                                                                                                                    |     |       |       |      |      |      |      |      |      |      |      | 16.2 | 13.2 | 92         |
| 96                                                                                                                                                                                    |     |       |       |      |      |      |      |      |      |      |      | 15.0 | 12.6 | 96         |
| 100                                                                                                                                                                                   |     |       |       |      |      |      |      |      |      |      |      |      | 11.3 | 100        |

Note: In some cases, Superlift Counterweight does not lift off the ground with indicated load.  
Please refer Operations Manual for details.







## Zhejiang SANY Equipment Co., Ltd.

SANY Industrial Park, No. 2087 Daishan Road, Wuxing District, Huzhou City,  
Zhejiang Province, P. R. of China Zip 313028

After-sales Service 400 887 8318

Consulting 400 887 9318

— Agent information —

Due to updated technology, the technical parameters and configurations are subject to change without prior notice. The machine in the picture may include additional equipment. This album is for reference only, subject to the object.

All rights reserved for Sany, without the written permission of Sany, the contents of any part of this content shall not be copied or copied for any purpose.

© Printed in August 2020 in China

[www.sany.com.cn](http://www.sany.com.cn)



Please scan the official  
WeChat account of Sany  
for more information.