

Pallet Truck

BPL18/20S-7, BPM20S-7, BPR20S-7
BER30/40S-9
LPM15/20N, BPM18NC, BPM16/20N
BPR20/25N

Stacker

BSL10/13S-7, BSL14/16/20S-7
BDL13S-7
LSM12N, BSL12/16N, BSL12/16/18NL
BSR12/16/20N, BSR13/15NR, BSR14NP

Reach Stacker

BSR13/15NR, BSR14NP

Order Picker

BOP15S-9

Stand-up Rider

B15/18/20SU-9



DOOSAN WAREHOUSE EQUIPMENT





DOOSAN WAREHOUSE EQUIPMENTS

Pallet Truck

BPL18/20S-7, BPM20S-7
BPR20S-7, BER30/40S-9
LPM15/20N, BPM18NC
BPM16/20N, BPR20/25N

Stacker

BSL10/13S-7, BSL14/16/20S-7
BDL13S-7, LSM12N
BSL12/16N, BSL12/16/18NL
BSR12/16/20N

Reach Stacker

BSR13/15NR, BSR14NP

Order Picker

BOP15S-9

Stand-up Rider

B15/18/20SU-9

Premium Electric Pallet Truck



Premium
Walkie Pallet Truck
 1.8T-2.0T
 24V
 BPL18/20S-7



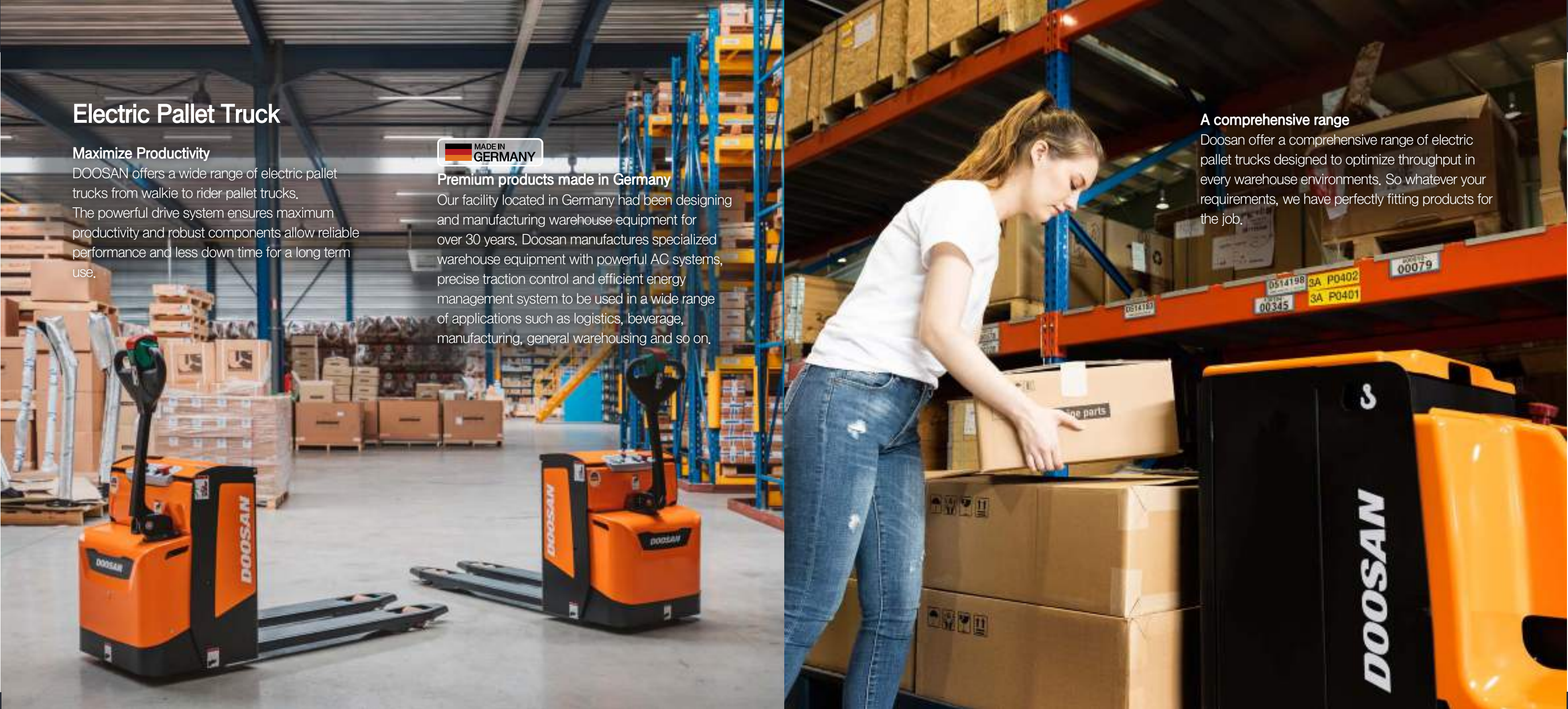
Premium
Walkie Pallet Truck
 2.0T
 24V
 BPM20S-7



Premium
Platform Pallet Truck
 2.0T
 24V
 BPR20S-7
 SOP: June, '20



Premium
Rider Pallet Truck
 3.0T-4.0T
 24V
 BER30/40S-9



Electric Pallet Truck

Maximize Productivity

DOOSAN offers a wide range of electric pallet trucks from walkie to rider pallet trucks. The powerful drive system ensures maximum productivity and robust components allow reliable performance and less down time for a long term use.



Premium products made in Germany

Our facility located in Germany had been designing and manufacturing warehouse equipment for over 30 years. Doosan manufactures specialized warehouse equipment with powerful AC systems, precise traction control and efficient energy management system to be used in a wide range of applications such as logistics, beverage, manufacturing, general warehousing and so on.

A comprehensive range

Doosan offer a comprehensive range of electric pallet trucks designed to optimize throughput in every warehouse environments. So whatever your requirements, we have perfectly fitting products for the job.

Electric Pallet Truck



Li-Ion
Walkie Pallet Truck
 1.5T-2.0T
 24V
 LPM15/20N



Walkie Pallet Truck
 1.8T
 24V
 BPM18NC



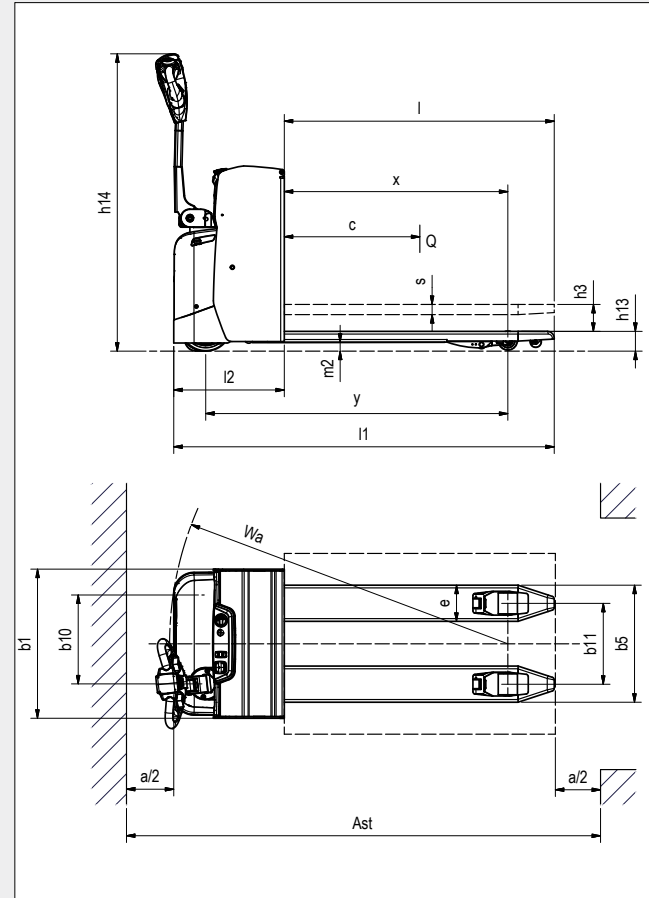
Walkie Pallet Truck
 1.6T-2.0T
 24V
 BPM16/20N



Platform Pallet Truck
 2.0T-2.5T
 24V
 BPR20/25N

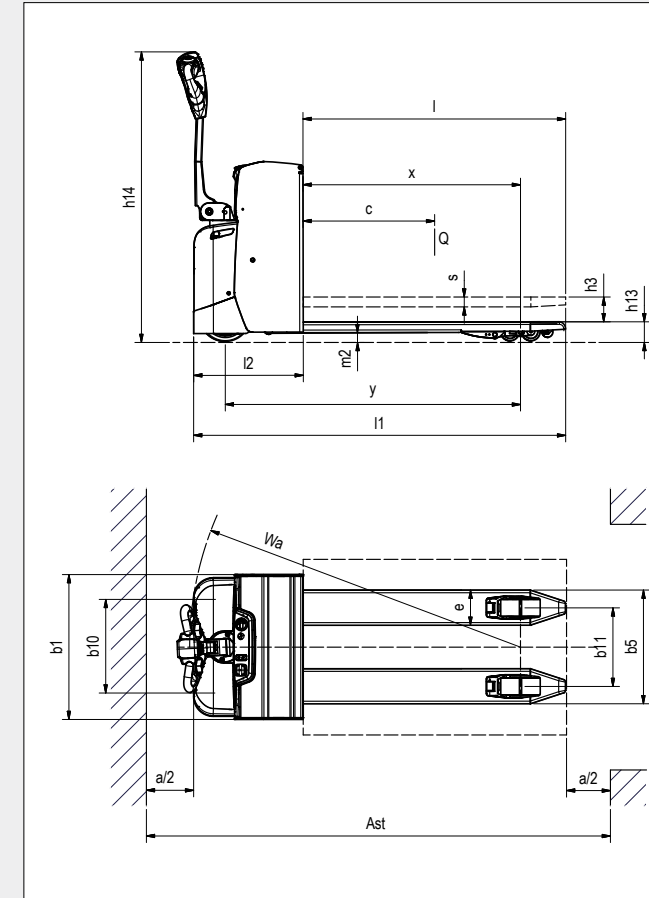
Electric Walkie Pallet Truck BPL18/20S-7 Premium

General	Model			BPL18S-7	BPL20S-7
	Power			AC Motor	AC Motor
	Operator Type			Pedestrian	Pedestrian
	Load Capacity / Rated Load	Q	kg	1800	2000
	Load Center Distance	C	mm	600	600
	Load Center Distance (LMC)	X	mm	990	990
	Wheelbase	y	mm	1337	1337
Weight	Service Weight inc. Battery		kg	500	520
	Axle loading, laden front/rear		kg	915/1385	1013/1507
	Axle loading, unladen front/rear		kg	410/90	426/94
Tires	Tires			Vulkollan	Vulkollan
	Drive Wheel		mm	ø230 x 80	ø230 x 80
	Load Wheel		mm	ø85 / 78	ø85 / 78
	Caster Wheel		mm	ø125 x 50	ø125 x 50
	Tread, Body (Caster Wheel - Caster Wheel)	b10	mm	385	385
	Tread, Fork (Load Wheel - Load Wheel)	b11	mm	358	358
Dimensions	Lift Height	h3	mm	120	120
	Height of tiller in drive position min./max.	h14	mm	1260	1260
	Height, Lowered	h13	mm	85	85
	Overall Length	l1	mm	1683	1683
	Length to Face of Forks	l2	mm	490	490
	Overall Width	b1	mm	660	660
	Forks Dimensions	e / l	mm	160 / 1195	160 / 1195
	Width across Forks	b5	mm	520	520
	Ground Clearance, Center of Wheelbase	m2	mm	35	35
	Aisle width for pallet 800 x 1200 lengthways	Ast	mm	2128	2128
Turning Radius	Wa	mm	1476	1476	
Performance	Travel Speed (Laden, Unladen)		km/h	5.66	5.66
	Max Greadeability (Laden, Unladen)		%	8/10	8/10
	Service Brake			Electromagnetic	Electromagnetic
Motor/Battery	AC Drive Motor rating at S2 60 min		kW	1.0	1.0
	DC Lift Motor at S3 10%		kW	1.2	1.2
	Battery Type			2EPzS	2EPzS
	Battery Capacity	K5	V / Ah	24 / 230	24 / 230
	Battery Weight		kg	210	210



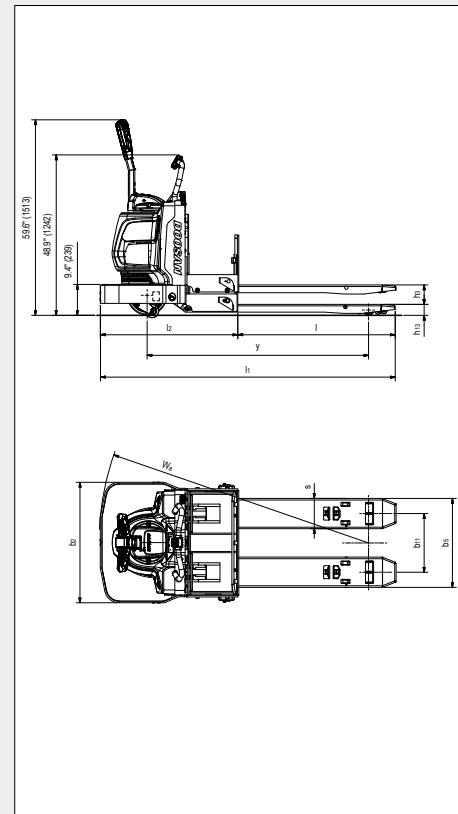
Electric Platform Pallet Truck BPM20S-7 Premium

General	Model				BPM20S-7
	Power				AC Motor
	Operator Type				Pedestrian
	Load Capacity / Rated Load	Q	kg		2000
	Load Center Distance	C	mm		600
	Load Center Distance (LMC)	X	mm		990
	Wheelbase	y	mm		1350
Weight	Service Weight inc. Battery		kg		540
	Axle loading, laden front/rear		kg		1028/1512
	Axle loading, unladen front/rear		kg		441/99
Tires	Tires				Vulkollan
	Drive Wheel		mm		ø230 x 80
	Load Wheel		mm		ø85 / 78
	Caster Wheel		mm		2x ø85 / 40
	Tread, Body (Caster Wheel - Caster Wheel)	b10	mm		419
	Tread, Fork (Load Wheel - Load Wheel)	b11	mm		358
Dimensions	Lift Height	h3	mm		120
	Height of tiller in drive position min./max.	h14	mm		1260
	Height, Lowered	h13	mm		85
	Overall Length	l1	mm		1699
	Length to Face of Forks	l2	mm		503
	Overall Width	b1	mm		660
	Forks Dimensions	e / l	mm		160 / 1195
	Width across Forks	b5	mm		520
	Ground Clearance, Center of Wheelbase	m2	mm		35
	Aisle width for pallet 800 x 1200 lengthways	Ast	mm		2147
Turning Radius	Wa	mm		1497	
Performance	Travel Speed (Laden, Unladen)		km/h		5.66
	Max Greadeability (Laden, Unladen)		%		8/10
	Service Brake				Electromagnetic
Motor/Battery	AC Drive Motor rating at S2 60 min		kW		1.0
	DC Lift Motor at S3 10%		kW		1.2
	Battery Type				2EPzS
	Battery Capacity	K5	V / Ah		24 / 230
	Battery Weight		kg		210



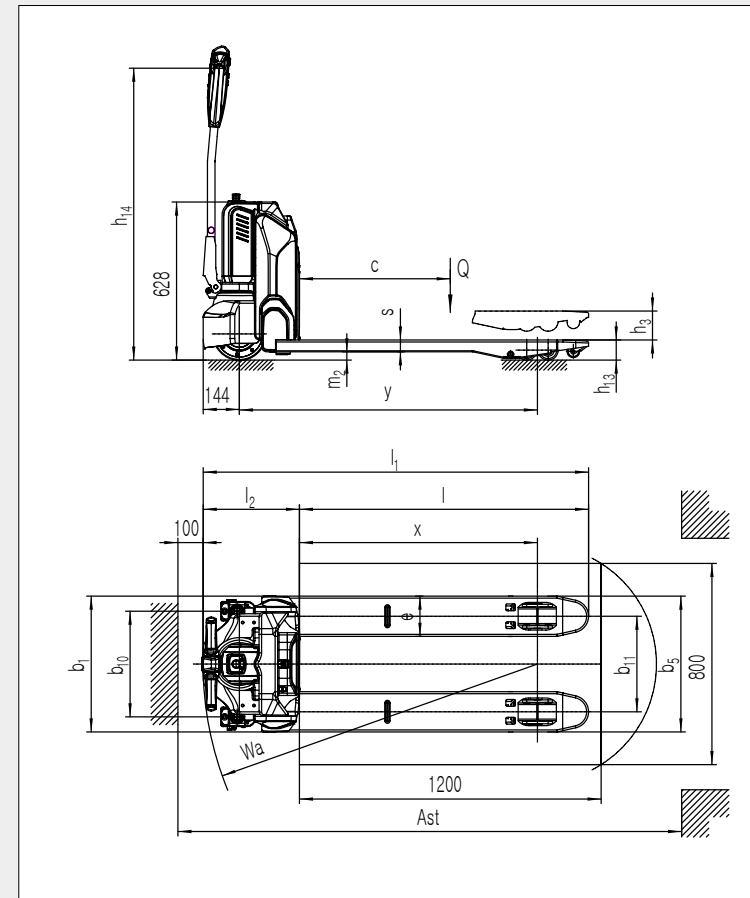
Electric Rider Pallet Truck BER30/40S-9 Premium

General	Model		BER30-9				BER40-9					
	Power		AC Motor				AC Motor					
	Operator Type		Rider Type				Rider Type					
	Load Capacity / Rated Load	Q	kg	2722	2722	2722	3629	3629	3629	3629	3629	3629
	Wheelbase (Lowered)	y	mm	1409	1714	2019	1409	1714	2019	2281	2281	2281
Wheelbase (Raised)	y	mm	1317	1622	1927	1317	1622	1927	2189	2189	2189	
Weight	Service Weight inc. Battery		kg	620	643	666	630	653	676	729	740	744
	Axle loading, unladen front/rear		kg	889/410	961/361	1038/306	933/376	952/357	1046/309	1095/313	1109/311	1122/301
Tires	Tires		Vulkollan, Polyurethane (PU), Polyurethane (PU)									
	Drive Wheel		mm	305x110x241	305x110x241	305x110x241	305x110x241	305x110x241	305x110x241	305x110x241	305x110x241	
	Load Wheel		mm	83x83	83x83	83x83	83x83	83x83	83x83	83x83	83x83	
	Caster Wheel		mm	102x64	102x64	102x64	102x64	102x64	102x64	102x64	102x64	
	Tread, Body (Caster Wheel - Caster Wheel)	b11	mm	678	678	678	678	678	678	678	678	
	Tread, Fork (Load Wheel - Load Wheel)	b12	mm	454	454	454	454	454	454	454	454	
Dimensions	Lift Height	h3	mm	150	150	150	150	150	150	150	150	
	Height of tiller in drive position min./max.	h14	mm	1513	1513	1513	1513	1513	1513	1513	1513	
	Platform Height		mm	239	239	239	239	239	239	239	239	
	Height, Lowered	h13	mm	85	85	85	85	85	85	85	85	
	Overall Length (Lowered)	l1	mm	1979	2284	2589	1979	2284	2589	3199	3427	3503
	Overall Length (Raised)	l1	mm	1986	2291	2596	1986	2291	2596	3206	3434	3510
	Length to Face of Forks (Lowered)	l2	mm	1065	1065	1065	1065	1065	1065	1065	1065	
	Length to Face of Forks (Raised)	l2	mm	1072	1072	1072	1072	1072	1072	1072	1072	
	Overall Width	b2	mm	933	933	933	933	933	933	933	933	
	Forks Dimensions	s/l	mm	234/914	234/1219	234/1524	234/914	234/1219	234/1524	254/2134	254/2362	254/2438
	Width across Forks	b5	mm	688	688	688	688	688	709	709	709	
	Ground Clearance, Center of Wheelbase	m2	mm	25	25	25	25	25	25	25	25	
	Aisle width for pallet 800 x 1200 lengthways	Ast	mm	2649	2885	3268	2649	2885	3268	3583	3583	3583
	Turning Radius	Wa	mm	1782	2085	2389	1782	2085	2389	2650	2650	2650
Performance	Travel Speed (Laden, Unladen)		km/h	10,8/14,5	10,8/14,5	10,8/14,5	10,8/14,5	10,8/14,5	10,8/14,5	10,8/14,5	10,8/14,5	
	Travel Speed (Laden, Unladen) - Backwards		km/h	9,7/9,7	9,7/9,7	9,7/9,7	9,7/9,7	9,7/9,7	9,7/9,7	9,7/9,7	9,7/9,7	
	Max Greadeability (Laden, Unladen)		%	10	10	10	8	8	8	8	8	
	Service Brake			Electromagnetic								
Battery	Battery Type											
	Battery Capacity	K5	V / Ah	24 / 375-930	24 / 375-930	24 / 375-930	24 / 375-930	24 / 375-930	24 / 375-930	24 / 375-930	24 / 375-930	
	Battery Weight		kg	245-680	245-680	245-680	245-680	245-680	245-680	245-680	245-680	



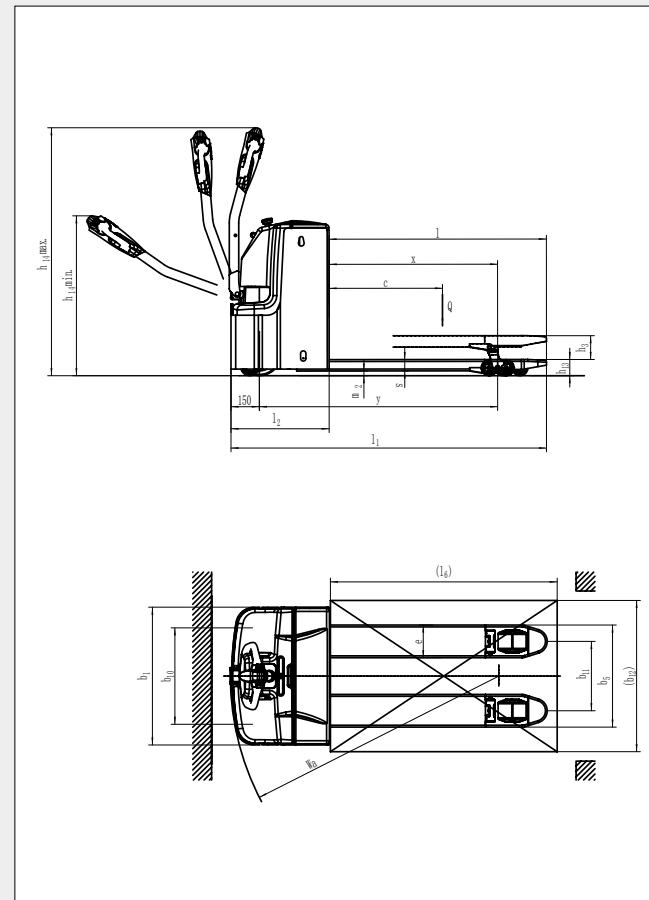
Li-ion Walkie Pallet Truck LPM15/20N Li-Ion

General	Model			LPM15N	LPM20N	
	Power			AC Motor	AC Motor	
	Operator Type			Pedestrian	Pedestrian	
	Load Capacity / Rated Load	Q	kg	1500	2000	
	Load Center Distance	C	mm	600	600	
Load Center Distance (LMC)	X	mm	947	951		
Wheelbase	y	mm	1185	1189		
Weight	Service Weight inc. Battery		kg	123	149	
	Axle loading, laden front/rear		kg	623/1000	621/1528	
Tires	Axle loading, unladen front/rear		kg	96/27	115/34	
	Tires			Polyurethane (PU)	Polyurethane (PU)	
	Drive Wheel		mm	ø210x70	ø210x70	
	Load Wheel		mm	ø80x93	ø80x93	
	Caster Wheel		mm	100X40	100X40	
	Tread, Fork (Load Wheel - Load Wheel)	b11	mm	380	525	
Dimensions	Lift Height	h3	mm	115	115	
	Height of tiller in drive position min./max.	h14	mm	Min. 700 / Max. 1160	Min. 700 / Max. 1160	
	Height, Lowered	h13	mm	80	80	
	Overall Length	l1	mm	1530	1536	
	Length to Face of Forks	l2	mm	380	380	
	Overall Width	b1	mm	540/685	540/685	
	Forks Dimensions	s / e / l	mm	47/160/1150	47/160/1150	
	Width across Forks	b5	mm	540/685	540/685	
	Ground Clearance, Center of Wheelbase	m2	mm	33	33	
	Aisle width for pallet 800 x 1200 lengthways	Ast	mm	2000	2006	
	Turning Radius	Wa	mm	1330	1336	
	Performance	Travel Speed (Laden, Unladen)		km/h	4,6/4,8	4,8/5,2
		Lifting Speed (Laden/Unladen)		m/s	0,020/0,025	0,17/0,022
		Lowering Speed (Laden/Unladen)		m/s	0,05/0,04	0,05/0,03
Max Greadeability (Laden, Unladen)			%	4/16	7/16	
Service Brake				Electromagnetic	Electromagnetic	
Battery	Battery Type			Li-ion(NMC)	Li-ion(NMC)	
	Battery Capacity	K5	V / Ah	24 / 20	48 / 20	
	Battery Weight		kg	4,6	7,5	



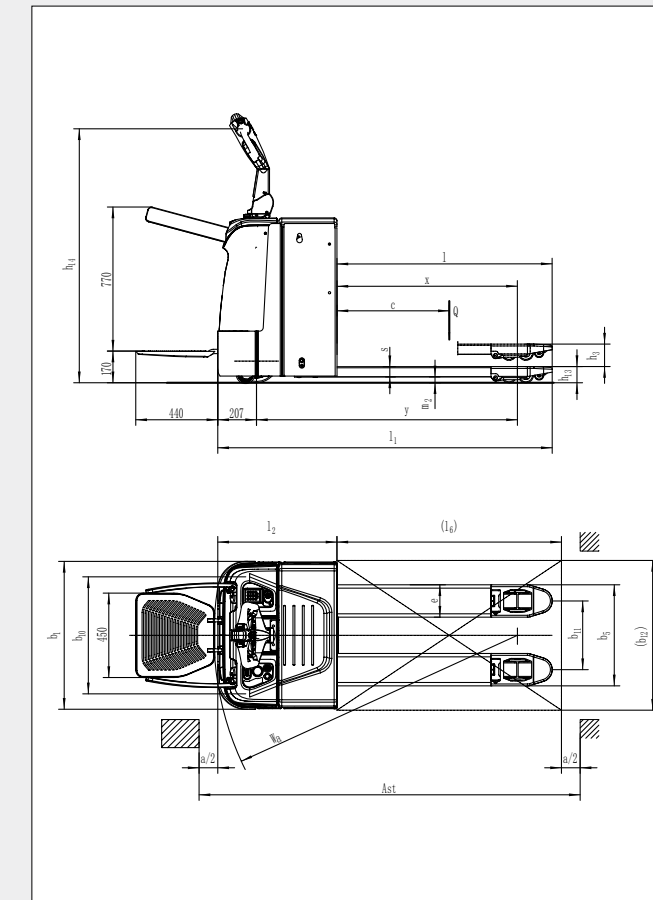
Electric Walke Pallet Truck BPM18NC, BPM16/20N

General	Model		BPM18NC	BPM16N	BPM20N	
	Power		AC Motor	AC Motor	AC Motor	
	Operator Type		Pedestrian	Pedestrian	Pedestrian	
	Load Capacity / Rated Load	Q	kg	1800	1600	2000
	Load Center Distance	C	mm	600	600	600
	Load Center Distance (LMC)	X	mm	9481)	892	892
	Wheelbase	y	mm	13601)	1261	1550
Weight	Service Weight inc. Battery		kg	415	445	535
	Axle loading, laden front/rear		kg	785/1430	715/1330	855/1680
	Axle loading, unladen front/rear		kg	335/80	345/100	415/120
Tires	Tires			Polyurethane (PU)	Polyurethane (PU)	Polyurethane (PU)
	Drive Wheel		mm	210X70	230X70	230X70
	Load Wheel		mm	74X100	84X84	84X84
	Caster Wheel		mm	/	100X40	100X40
	Tread, Body (Caster Wheel - Caster Wheel)	b10	mm	560	510	510
	Tread, Fork (Load Wheel - Load Wheel)	b11	mm	525	367/512	367/512
Dimensions	Lift Height	h3	mm	120	120	120
	Height of tiller in drive position min./max.	h14	mm	Min. 770 / Max. 1230	Min. 820 / Max. 1335	Min. 820 / Max. 1335
	Height, Lowered	h13	mm	75	85	85
	Overall Length	l1	mm	1790	1670	1735
	Length to Face of Forks	l2	mm	570	520	595
	Overall Width	b1	mm	729	729	729
	Forks Dimensions	s / e / l	mm	50/160/1220(1150)	60/173/1150	60/173/1150
	Width across Forks	b5	mm	685	540/685	540/685
	Ground Clearance, Center of Wheelbase	m2	mm	25	25	25
	Aisle width for pallet 1000 x 1200 crossways	Ast	mm	2270	2250	2315
	Aisle width for pallet 800 x 1200 lengthways	Ast	mm	/	2140	2205
	Turning Radius	Wa	mm	1525	1440	1490
	Performance	Travel Speed (Laden, Unladen)		km/h	5.0/5.2	6.0/6.0
Lifting Speed (Laden/Unladen)		m/s	0.025/0.030	0.025/0.035	0.020/0.035	
Lowering Speed (Laden/Unladen)		m/s	0.030/0.025	0.035/0.030	0.035/0.030	
Max Greadeability (Laden, Unladen)		%	8 / 12	8/15	8/15	
Service Brake			Electromagnetic	Electromagnetic	Electromagnetic	
Battery	Battery Type			2VBS	2VBS	2PzS
	Battery Capacity	K5	V / Ah	24 / 160	24 / 160	24 / 210
	Battery Weight		kg	145	155	215



Electric Platform Pallet Truck BPR20/25N

General	Model			BPR20N	BPR25N
	Power			AC Motor	AC Motor
	Operator Type			Pedestrian (Rider Type)	Pedestrian (Rider Type)
	Load Capacity / Rated Load	Q	kg	2000	2500
	Load Center Distance	C	mm	600	600
	Load Center Distance (LMC)	X	mm	892	892
	Wheelbase	y	mm	1330	1435
Weight	Service Weight inc. Battery		kg	650	820
	Axle loading, laden front/rear		kg	1110/1540	1370/1950
	Axle loading, unladen front/rear		kg	510/140	600/200
Tires	Tires			Polyurethane (PU)	Polyurethane (PU)
	Drive Wheel		mm	210x70	210x70
	Load Wheel		mm	84x84	84x84
	Caster Wheel		mm	100x40	100x40
	Tread, Body (Caster Wheel - Caster Wheel)	b10	mm	560	560
	Tread, Fork (Load Wheel - Load Wheel)	b11	mm	367/512	367/512
Dimensions	Lift Height	h3	mm	120	120
	Height of tiller in drive position min./max.	h14	mm	Min. 950/ Max. 1350	Min. 950/ Max. 1350
	Height, Lowered	h13	mm	85	85
	Overall Length	l1	mm	1790	1895
	Length to Face of Forks	l2	mm	640	745
	Overall Width	b1	mm	790	790
	Forks Dimensions	s / e / l	mm	55/173/1150	55/173/1150
	Width across Forks	b5	mm	540/685	540/685
	Ground Clearance, Center of Wheelbase	m2	mm	30	30
	Aisle width for pallet 1000 x 1200 crossways	Ast	mm	2290	2505
	Aisle width for pallet 800 x 1200 lengthways	Ast	mm	2400	2395
	Turning Radius	Wa	mm	1585	1690
	Performance	Travel Speed (Laden, Unladen)		km/h	7.0/8.0
Lifting Speed (Laden/Unladen)		m/s	0.025/0.03	0.035/0.045	
Lowering Speed (Laden/Unladen)		m/s	0.030/0.025	0.045/0.050	
Max Greadeability (Laden, Unladen)		%	8 / 15	8 / 15	
Service Brake			Electromagnetic	Electromagnetic	
Battery	Battery Type			DIN	DIN
	Battery Capacity	K5	V / Ah	24 / 210 2PzS	24 / 350 3PzS
	Battery Weight		kg	185	285



Premium Electric Stacker



Premium
Compact Walkie Stacker
1.25T
24V
BSL13S-7C



Premium
Walkie Stacker
1.4T-2.0T
24V
BSL14/16/20S-7



Premium
Walkie Double Stacker
1.8T/1.25T
24V
BDL13S-7

 **MADE IN GERMANY**



Electric Stacker

Improved efficiency in narrow warehouses

The electric stacker is a flexible and efficient handling solution for transporting, stacking or storing pallets in narrow warehouses. It can lift up to 5.7 meters* and its productivity can be doubled.
*BSL16N, FFT mast



Premium products made in Germany

Our facility located in Germany had been designing and manufacturing warehouse equipment for over 30 years. Doosan manufactures specialized warehouse equipment with powerful AC systems, precise traction control and efficient energy management system to be used in a wide range of applications such as logistics, beverage, manufacturing, general warehousing and so on.

Electric Stacker



Li-Ion
Walkie Stacker
1.2T
24V
LSM12N



Walkie Stacker
1.2T-1.6T
24V
BSL12/16N



Walkie Straddle Stacker
1.2T-1.8T
24V
BSM12/16/18NL

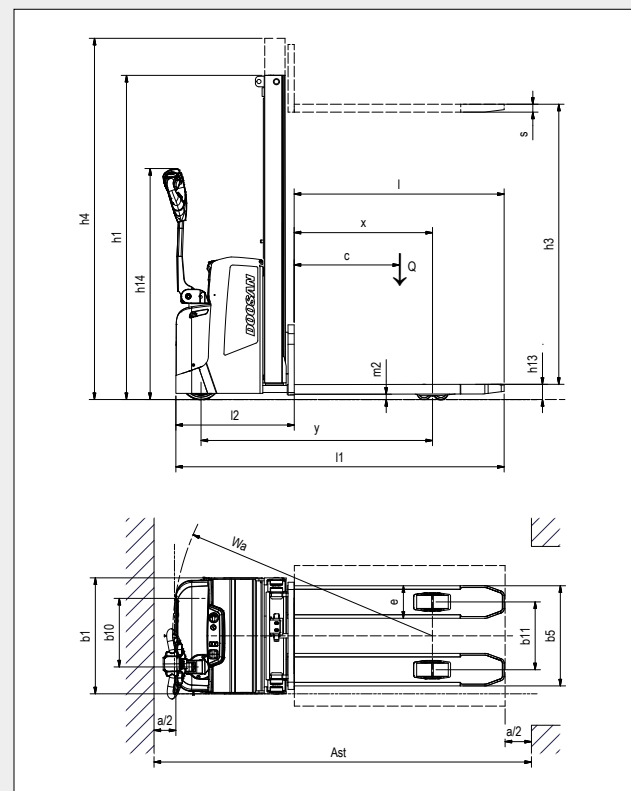


Platform Stacker
1.2T-2.0T
24V
BSR12/16/20N

Electric Compact Walkie Stacker BSL10/13S-7C Premium

General	Model			BSL10S-7C	BSL13S-7C
	Power			AC Motor	AC Motor
	Operator Type			Pedestrian	Pedestrian
	Load Capacity / Rated Load	Q	kg	1000	1300
	Load Center Distance	C	mm	600	600
	Load Center Distance (LMC)	X	mm	787	787
	Wheelbase	y	mm	1318	1318
Weight	Service Weight inc. Battery		kg	770	770
	Axle loading, laden front/rear		kg	682/1088	717/1303
	Axle loading, unladen front/rear		kg	542/228	542/228
Tires	Tires			Vulkollan	Vulkollan
	Drive Wheel		mm	ø230x70	ø230x70
	Load Wheel		mm	ø85/78	ø85/78
	Caster Wheel		mm	ø125x50	ø125x50
	Tread, Body (Caster Wheel - Caster Wheel)	b11	mm	390	390
	Tread, Fork (Load Wheel - Load Wheel)	b12	mm	385	385
Dimensions	Lowered Mast Height	h1	mm	Mast Table	
	Lift Height	h3	mm	Mast Table	
	Height of tiller in drive position min./max.	h14	mm	1250	1250
	Height, Lowered	h13	mm	90	90
	Overall Length	l1	mm	1870	1870
	Length to Face of Forks	l2	mm	674	674
	Overall Width	b1	mm	660	660
	Forks Dimensions	s / e / l	mm	55/185/1195	55/185/1195
	Width across Forks	b5	mm	570	570
	Ground Clearance, Center of Wheelbase	m2	mm	32	32
	Aisle width for pallet 800 x 1200 lengthways	Ast	mm	2253	2253
	Turning Radius	Wa	mm	1481	1481
	Performance	Travel Speed (Laden, Unladen)		km/h	5,5
Lifting Speed (Laden/Unladen)			m/s	0,15/0,21	0,15/0,21
Lowering Speed (Laden/Unladen)			m/s	0,53/0,24	0,53/0,24
Max Greadeability (Laden, Unladen)			%	7/12	7/12
Service Brake			Electromagnetic	Electromagnetic	
Battery	Battery Type				
	Battery Capacity	K5	V / Ah	24 / 250	24 / 250
	Battery Weight		kg	220	220

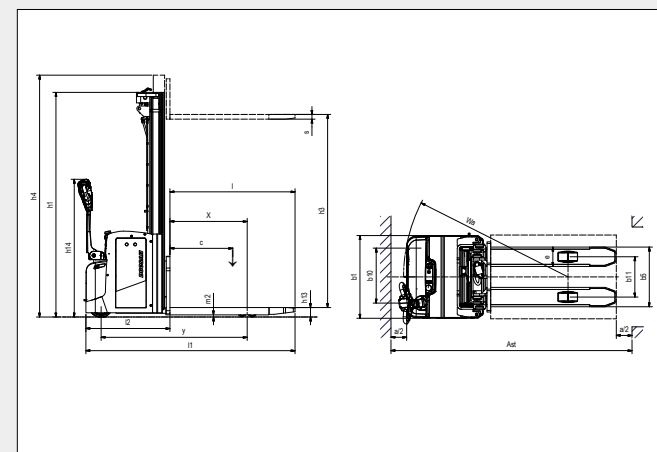
Mast	Lowered Mast Height				
	h1 (mm)				
	Lift Height				
	h3(mm)				
BSL10S-7C					
STD				1300	1790
				1450	2090
				1650	2490
				1850	2890
				2050	3290
			2200	3590	
BSL13S-7C					
STD				1300	1790
				1450	2090
				1650	2490
				1850	2890
				2050	3290
			2200	3590	



Electric Walkie Stacker BSL14/16/20S-7 Premium

General	Model			BSL14S-7	BSL14S-7	BSL16S-7	BSL16S-7	BSL20S-7	
	Power			AC Motor	AC Motor	AC Motor	AC Motor	AC Motor	
	Operator Type			Pedestrian	Pedestrian	Pedestrian	Pedestrian	Pedestrian	
	Load Capacity / Rated Load	Q	kg	1400	1400	1600	1600	2000	
	Load Center Distance	C	mm	600	600	600	600	600	
	Load Center Distance (LMC)	X	mm	735	735	735	735	735	
	Wheelbase	y	mm	1326	1397	1326	1397	1397	
Weight	Service Weight inc. Battery		kg	950	1260	950	1260	1350	
	Axle loading, laden front/rear		kg	940/1610	1030/1830	940/1610	1030/1830	1172 / 2178	
	Axle loading, unladen front/rear		kg	700/250	880/380	700/250	880/380	976 / 374	
Tires	Tires			Vulkollan					
	Drive Wheel		mm	ø230 x 80	ø230 x 80	ø230 x 80	ø230 x 80	ø230 x 80	
	Load Wheel		mm	ø85 / 78	ø85 / 78	ø85 / 78	ø85 / 78	ø85 / 78	
	Caster Wheel		mm	ø140x60	ø140x60	ø140x60	ø140x60	ø140x60	
	Tread, Body (Caster Wheel - Caster Wheel)	b11	mm	525	525	525	525	525	
	Tread, Fork (Load Wheel - Load Wheel)	b12	mm	385	385	385	385	385	
Dimensions	Lowered Mast Height	h1	mm	Mast Table					
	Lift Height	h3	mm	Mast Table					
	Height of tiller in drive position min./max.	h14	mm	1260	1260	1260	1260	1260	
	Height, Lowered	h13	mm	90	90	90	90	90	
	Overall Length	l1	mm	1928	2000	1928	2000	2000	
	Length to Face of Forks	l2	mm	732	805	732	805	805	
	Overall Width	b1	mm	790	790	790	790	790	
	Forks Dimensions	s / e / l	mm	65/185/1195					70/185/1195
	Width across Forks	b5	mm	570	570	570	570	570	
	Ground Clearance, Center of Wheelbase	m2	mm	35	35	35	35	20	
	Aisle width for pallet 800 x 1200 lengthways	Ast	mm	2304	2373	2304	2373	2391	
	Turning Radius	Wa	mm	1490	1560	1490	1560	1580	
	Performance	Travel Speed (Laden, Unladen)		km/h	6	6	6	6	6
Lifting Speed (Laden/Unladen)			m/s	0,13/0,20	0,13/0,20	0,13/0,20	0,13/0,20	0,11/0,16	
Lowering Speed (Laden/Unladen)			m/s	0,49/0,23	0,49/0,23	0,49/0,23	0,49/0,23	0,49/0,23	
Max Greadeability (Laden, Unladen)			%	7/12	7/12	7/12	7/12	7/12	
Service Brake			Electromagnetic						
Battery	Battery Type			2 EPzS	3 EPzS	2 EPzS	3 EPzS	3 EPzS	
	Battery Capacity	K5	V / Ah	24 / 250	24 / 375	24 / 250	24 / 375	24 / 375	
	Battery Weight		kg	220	350	220	350	350	

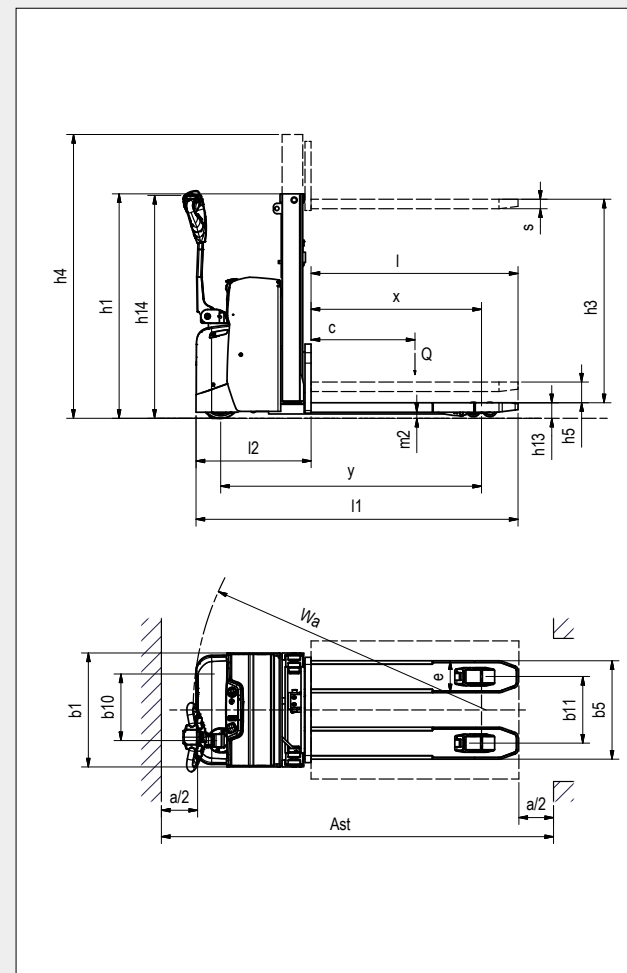
Mast	Lowered Mast Height				
	h1 (mm)				
	Free Lift				
	h2(mm)				
	Lift Height				
	h3(mm)				
Max. Forks Height	h3+h13(mm)				
BSL14S-7					
Single		1945	-	2800	2890
		2295	-	3500	3590
STD		1945	1400	2800	2890
		2295	1750	3500	3590
FFT		1880	1370	4100	4190
		1950	1440	4300	4390
		2080	1570	4700	4790
		2080	1770	5300	5390
BSL16S-7					
Single		1945	-	2800	2890
		2295	-	3500	3590
STD		1945	1400	2800	2890
		2295	1750	3500	3590
FFT		1880	1370	4100	4190
		1950	1440	4300	4390
		2080	1570	4700	4790
		2080	1770	5300	5390
BSL20S-7					
Single		1990	-	2800	2890
		2340	-	3500	3590
FFT		1950	1370	4100	4190
		2085	1440	4300	4390
		2225	1570	4700	4790
		2370	1770	5300	5390



Electric Walkie Double Stacker BDL13S-7 Premium

General	Model			BDL13S-7	BDL13S-7H
	Power			AC Motor	AC Motor
	Operator Type			Pedestrian	Pedestrian
	Load Capacity / Rated Load	Q	kg	1250/1800	1250/2000
	Load Center Distance	C	mm	600	600
	Load Center Distance (LMC)	X	mm	980	980
Weight	Wheelbase	y	mm	1512	1512
	Service Weight inc. Battery		kg	830	830
	Axle loading, laden front/rear		kg	1015/1615	1070/1760
Tires	Axle loading, unladen front/rear		kg	615/215	615/215
	Tires			Vulkollan	Vulkollan
	Drive Wheel		mm	ø230 x 80	ø230 x 80
	Load Wheel		mm	ø85 / 78	ø85 / 78
	Caster Wheel		mm	ø125 x 50	ø125 x 50
	Tread, Body (Caster Wheel - Caster Wheel)	b11	mm	375	375
Tread, Fork (Load Wheel - Load Wheel)	b12	mm	385	385	
Dimensions	Lowered Mast Height	h1	mm	Mast Table	
	Free Lift	h5	mm	120	120
	Lift Height	h3	mm	Mast Table	
	Height of tiller in drive position min./max.	h14	mm	1260	1260
	Height, Lowered	h13	mm	90	90
	Overall Length	l1	mm	1860	1860
	Length to Face of Forks	l2	mm	660	660
	Overall Width	b1	mm	660	660
	Forks Dimensions	s / e / l	mm	55/185/1195	55/185/1195
	Width across Forks	b5	mm	570	570
	Ground Clearance, Center of Wheelbase	m2	mm	35	35
	Aisle width for pallet 800 x 1200 lengthways	Ast	mm	2325	2325
Turning Radius	Wa	mm	1670	1670	
Performance	Travel Speed (Laden, Unladen)		km/h	5.6	5.6
	Lifting Speed (Laden/Unladen)		m/s	0.15/0.23	0.15/0.23
	Lowering Speed (Laden/Unladen)		m/s	0.5/0.26	0.5/0.26
	Max Gradeability (Laden, Unladen)		%	8/10	8/10
Battery	Service Brake			Electromagnetic	Electromagnetic
	Battery Type			2EPzS	2EPzS
	Battery Capacity	K5	V / Ah	24 / 230	24 / 230
	Battery Weight		kg	220	220

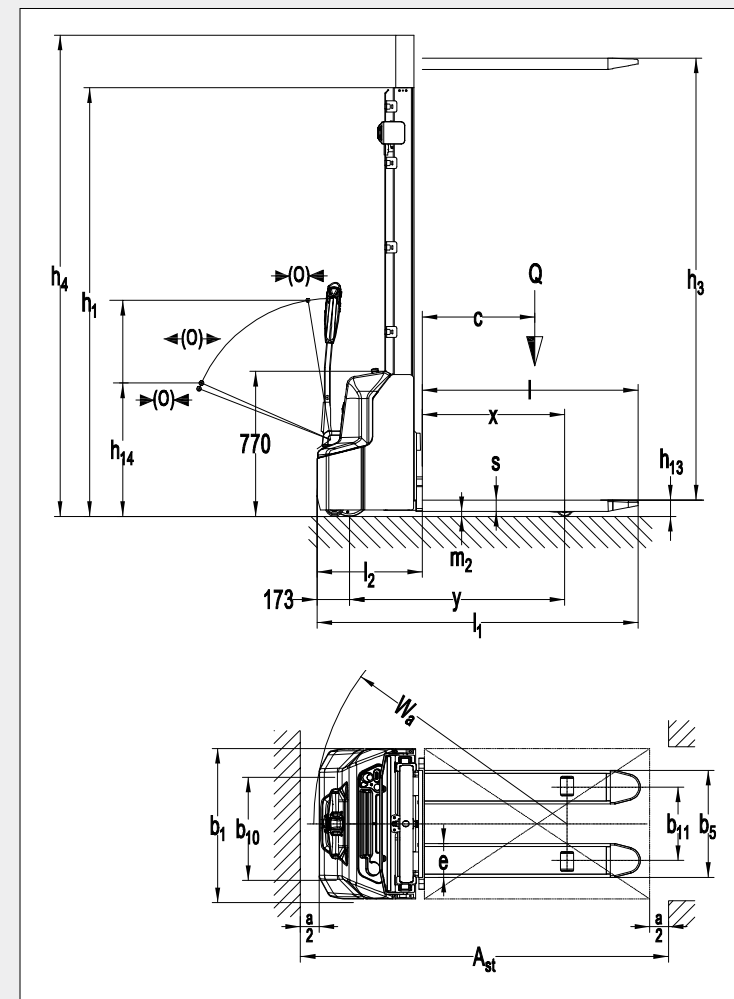
Lowered Mast Height	Lift Height	Rated Load
h1(mm)	h3(mm)	
BDL13S-7, BDL13S-7H		
1260 (h12)	690	1250
1300	1790	1250
1450	2090	1000
BDL13S-7		
1650	2490	700



Electric Walkie Stacker LSM12N Li-Ion

General	1.2 Model		LSM12N
	1.3 Power		DC Motor
	1.4 Operator type		Pedestrian
	1.5 Load Capacity / rated load	Q(t)	1.2
	1.6 Load centre distance	c(mm)	600
	1.8 Load distance ,centre of drive axle to fork	x(mm)	760
Weight	1.9 Wheelbase	y(mm)	1147
	2.1 Service weight	kg	585
	2.2 Axle loading, laden front/rear	kg	560 / 1225
Tires	2.3 Axle loading, unladen front/rear	kg	440 / 145
	3.1 Tires		Polyurethane (PU)
	3.2 Tire size, front	Æ x w (mm)	Φ210 x 70
	3.3 Tire size, rear	Æ x w (mm)	Φ84 x 93
	3.4 Additional wheels(dimensions)	Æ x w (mm)	Φ100 x 50
	3.5 Wheels, number front/rear(x=driven wheels)		1x + 1 / 2
Dimensions	3.6 Track, front	b10 (mm)	550
	3.7 Track, rear	b11 (mm)	400 / 515
	4.2 Lowered mast height	h1 (mm)	2280
	4.3 Free Lift height	h2 (mm)	-
	4.4 Lift height	h3 (mm)	3514
	4.5 Extended mast height	h4 (mm)	4037
	4.9 Height of tiller in drive position min./ max.	h14 (mm)	710 / 1150
	4.15 Height, lowered	h13 (mm)	86
	4.19 Overall length	l1 (mm)	1710
	4.2 Length to face of forks	l2 (mm)	560
	4.21 Overall width	b1 (mm)	800
	4.22 Fork dimensions	s/e/l (mm)	60 / 180 / 1150
	4.25 Width across forks	b5 (mm)	570 / 685
	4.32 Ground clearance, centre of wheelbase	m2 (mm)	26
	4.33 Aisle width for pallets 1000X1200 crossways	Ast (mm)	2197
4.34 Aisle width for pallets 800X1200 lengthways	Ast (mm)	2145	
4.35 Turning radius	Wa (mm)	1350	
Performance	5.1 Travel speed, laden/ unladen	Km/h	4.5 / 4.7
	5.2 Lift speed, laden/ unladen	m/s	0.12 / 0.19
	5.3 Lowering speed, laden/ unladen	m/s	0.13 / 0.11
	5.8 Max. gradeability, laden/ unladen	%	5 / 10
Battery	5.1 Service brake		Electromagnetic
	6.3 Battery type		Li-ion (NMC)
	6.4 Battery voltage, nominal capacity K5	V / Ah	24 / 60
	6.5 Battery weight	kg	19

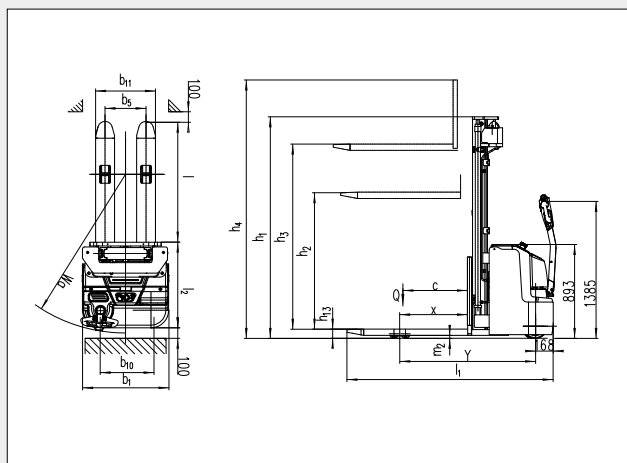
Type	Lowered mast height	Free Lift height	Lift height	Max.Fork Height
	h1(mm)	h2(mm)	h3(mm)	h3+h13(mm)
One stage mast	1930	1514	1514	1600
	2330	1914	1914	2000
Two stage mast	1930	-	2814	2900
	2080	-	3114	3200
	2280	-	3514	3600



Electric Walkie Stacker BSL12/16N

General	Model		BSL12N (3600)	BSL12N (4600)	BSL16N (4600)	
	Power		AC Motor	AC Motor	AC Motor	
	Operator Type		Pedestrian	Pedestrian	Pedestrian	
	Load Capacity / Rated Load		Q kg	1200	1200	1600
	Load Center Distance		C mm	600	600	600
	Load Center Distance (LMC)		X mm	647	637	647
Weight	Wheelbase		y mm	1248	1248	1293
	Service Weight inc. Battery		kg	1007	1150	1340
	Axle loading, laden front/rear		kg	684/1523	735/1610	930/2010
Axle loading, unladen front/rear		kg	610/397	720/430	850/490	
Tires	Tires		Polyurethane (PU)	Polyurethane (PU)	Polyurethane (PU)	
	Drive Wheel		mm	230x70	230x70	230x70
	Load Wheel		mm	84x70	84x70	84x70
	Caster Wheel		mm	150x54	150x54	150x54
	Tread, Body (Caster Wheel - Caster Wheel)		b10 mm	522	522	522
	Tread, Fork (Load Wheel - Load Wheel)		b11 mm	390/505	390/505	390/505
Dimensions	Lowered Mast Height		h1 mm	2308	2108	2108
	Free Lift		h2 mm	1760	1520	1520
	Lift Height		h3 mm	3530	4530	4530
	Extended Mast Height		h4 mm	4088	5088	5088
	Height of tiller in drive position min./max.		h14 mm	Min. 850/Max. 1385	Min. 850/Max. 1385	Min. 850/Max. 1385
	Height, Lowered		h13 mm	90	90	90
	Overall Length		l1 mm	1919	1929	1964
	Length to Face of Forks		l2 mm	769	779	814
	Overall Width		b1/b2 mm	820	820	820
	Forks Dimensions		s / e / l mm	60/180/1150	60/180/1150	60/180/1150
	Width across Forks		b5 mm	570/685	570/685	570/685
	Ground Clearance, Center of Wheelbase		m2 mm	28	28	28
	Aisle width for pallet 800 x 1200 lengthways		Ast mm	2323	2323	2393
	Aisle width for pallet 1000 x 1200 crossways		Ast mm	2336	2336	2406
	Turning Radius		Wa mm	1440	1440	1510
Performance	Travel Speed (Laden, Unladen)		km/h	6,0/6,0	6,0/6,0	5,7/6,0
	Lifting Speed (Laden/Unladen)		m/s	0,09/0,14	0,13/0,20	0,13/0,20
	Lowering Speed (Laden/Unladen)		m/s	0,25/0,20	0,28/0,23	0,28/0,23
	Max Greadeability (Laden, Unladen)		%	6/12	6/12	6/12
	Service Brake			Electromagnetic	Electromagnetic	Electromagnetic
Battery	Battery Type			2VBS	2VBS	3VBS
	Battery Capacity		K5 V / Ah	24 / 180	24 / 180	24 / 270
	Battery Weight		kg	175	175	230

Mast	Lowered Mast Height	Free Lift	Lift Height	Extended Mast Height	Max. Forks Height
	h1 (mm)	h2(mm)	h3(mm)	h4(mm)	h3+h13(mm)
BSL12N					
STD	1958	—	2830	3380	2920
	2108	—	3130	3680	3220
	2308	—	3530	4080	3620
FFL	1958	1410	2830	3380	2920
	2108	1560	3130	3680	3220
	2308	1760	3530	4080	3620
FFT	2008	1420	4230	4780	4320
	2108	1520	4530	5080	4620
BSL16N					
STD	1958	—	2830	3380	2920
	2108	—	3130	3680	3220
	2308	—	3530	4080	3620
FFL	1958	1410	2830	3380	2920
	2108	1560	3130	3680	3220
	2308	1760	3530	4080	3620
FFT	1708	1120	3330	3880	3420
	1908	1320	3930	4480	4020
	2008	1420	4230	4780	4320
	2108	1520	4530	5080	4620
	2343	1756	5230	5780	5320
	2408	1820	5430	5980	5520



Electric Walkie Straddle Stacker BSM12/16/18NL

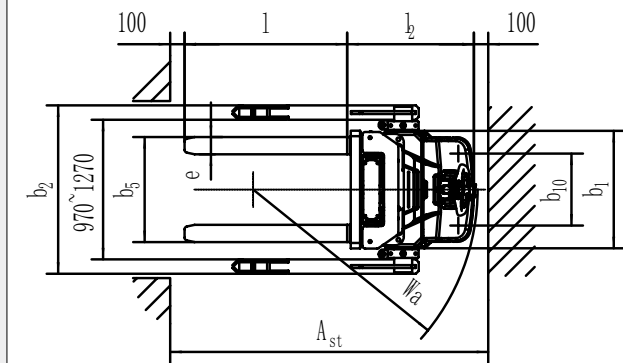
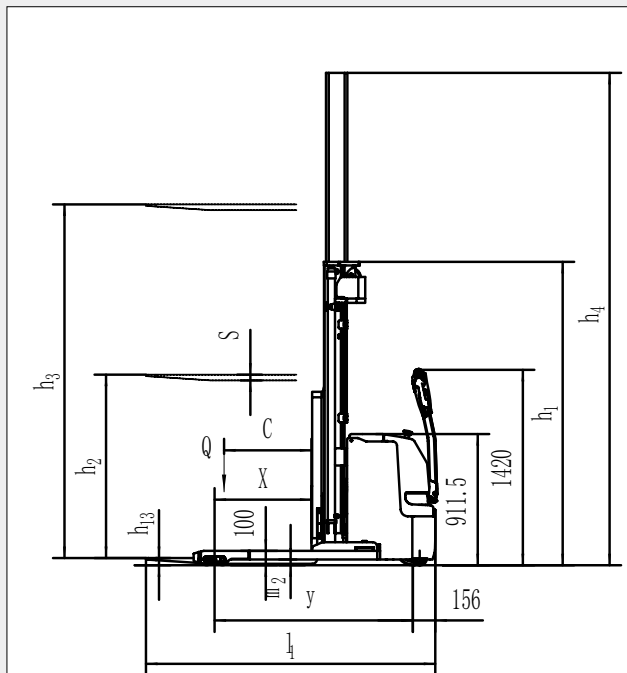
General	Model		BSM12NL	BSM16NL	BSM18NL	
	Power		AC Motor	AC Motor	AC Motor	
	Operator Type		Pedestrian	Pedestrian	Pedestrian	
	Load Capacity / Rated Load		Q kg	1200	1600	1800
	Load Center Distance		C mm	600	600 ¹⁾	600
	Load Center Distance (LMC)		X mm	647	664 ²⁾	647 ²⁾
Weight	Wheelbase		y mm	1331	1378	1378
	Service Weight inc. Battery		kg	1190	1480	1560
	Axle loading, laden front/rear		kg	774/1598	827/2253	892/2378
Axle loading, unladen front/rear		kg	796/394	864/616	924/636	
Tires	Tires		Polyurethane (PU)	Polyurethane (PU)	Polyurethane (PU)	
	Drive Wheel		mm	230x70	230x70	230x70
	Load Wheel		mm	84x70	84x70	84x70
	Caster Wheel		mm	100x40	100x40	100x40
	Tread, Body (Caster Wheel - Caster Wheel)		b10 mm	500	500	500
	Tread, Fork (Load Wheel - Load Wheel)		b11 mm	-	-	-
Dimensions	Lowered Mast Height		h1 mm	Mast Table		
	Free Lift		h2 mm	2308	2108	2228
	Lift Height		h3 mm	1760	1520	1520
	Extended Mast Height		h4 mm	3560	4530	4530
	Height of tiller in drive position min./max.		h14 mm	Min. 890 / Max. 1420	Min. 890 / Max. 1420	Min. 890 / Max. 1420
	Height, Lowered		h13 mm	50	50	50
	Overall Length		l1 mm	1990	2075	2092
	Length to Face of Forks		l2 mm	840	925	942
	Overall Width		b1/b2 mm	816/1170-1470	816/1170-1470	816/1170-1470
	Forks Dimensions		s / e / l mm	35x100x1150	40x120x115	40x120x115
	Width across Forks		b5 mm	235-710	255-730	255-730
	Ground Clearance, Center of Wheelbase		m2 mm	40	40	40
	Aisle width for pallet 800 x 1200 lengthways		Ast mm	2382	2418	2432
	Aisle width for pallet 1000 x 1200 crossways		Ast mm	2396	2437	2446
	Turning Radius		Wa mm	1500	1550	1550
Performance	Travel Speed (Laden, Unladen)		km/h	5,4/6,0	5,4/6,0	5,4/6,0
	Lifting Speed (Laden/Unladen)		m/s	0,09/0,14	0,13/0,18	0,13/0,18
	Lowering Speed (Laden/Unladen)		m/s	0,25/0,2	0,20/0,14	0,20/0,14
	Max Greadeability (Laden, Unladen)		%	6/12		
	Service Brake			Electromagnetic		
Battery	Battery Type			2PZB	3VBS	3VBS
	Battery Capacity		K5 V / Ah	24 / 180	24 / 270	24 / 270
	Battery Weight		kg	175	230	230

1) With Sideshifter, Load Center Distance: 500mm

2) With Sideshifter, Load Center Distance: - 55mm

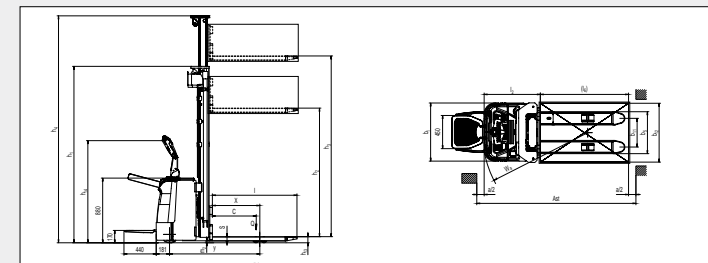
Electric Platform Stacker BSR12/16/20N

Mast	Lowered Mast Height	Free Lift	Lift Height	Extended Mast Height	Max. Forks Height
	h1 (mm)	h2 (mm)	h3 (mm)	h4 (mm)	h3+h13 (mm)
BSM12NL					
STD	1958	-	2830	3380	2880
	2108	-	3130	3680	3180
	2308	-	3530	4080	3580
FFL	1958	1410	2830	3380	2880
	2108	1560	3130	3680	3180
	2308	1760	3530	4080	3580
BSM16NL					
STD	1958	—	2830	3380	2880
	2108	—	3130	3680	3180
	2308	—	3530	4080	3580
FFL	1958	1410	2830	3380	2880
	2108	1560	3130	3680	3180
	2308	1760	3530	4080	3580
FFT	1908	1320	3930	4480	3980
	2008	1420	4230	4780	4280
	2108	1520	4530	5080	4580
	2343	1756	5230	5780	5280
BSM18NL					
STD	2078	—	2830	3500	2880
	2228	—	3130	3800	3180
	2428	—	3530	4200	3580
FFL	1978	1310	2630	3300	2680
	2078	1410	2830	3500	2880
	2228	1560	3130	3800	3180
	2428	1760	3530	4200	3580
FFT	1978	1310	3930	4600	3980
	2128	1420	4230	4900	4280
	2228	1520	4530	5200	4580



General			BSR12N	BSR16N	BSR20N		
	Model			BSR12N	BSR16N	BSR20N	
Drive			AC Motor	AC Motor	AC Motor		
Operator type			Pedestrian/Standing	Pedestrian/Standing	Pedestrian/Standing		
Load capacity	Q	t	1.6	1.6	1.6		
Load centre distance	C	mm	600	600	600		
Load distance	X	mm	647	647	647		
Wheelbase	y	mm	1167	1215	1327		
Weight	Service weight, incl. Battery		kg	1080	1380	1620	
	Axle loading, laden front/rear		kg	860/1420	1040 / 1940	1210/2410	
	Axle loading, unladen front/rear		kg	780/320	940 / 440	1090/540	
Tires	Tyres			Polyurethane(PU)	Polyurethane(PU)	Polyurethane(PU)	
	Drive Wheel		mm	230x70	230x70	230x70	
	Load Wheel		mm	85x75	85x75	85x75	
	Support Wheel		mm	150x54	150x54	150x54	
	Tread, Body (Caster Wheel - Caster Wheel)		mm	510	510	510	
Tread, Fork (Load Wheel - Load Wheel)		mm	390 / 505	390 / 505	390 / 505		
Dimensions	Lowered mast height		h1	mm	Mast Table		
	Lift Height		h3	mm	Mast Table		
	Height of Tiller in drive position (min/max)		h14	mm	950 / 1350	950 / 1350	950 / 1350
	Height, lowered		h13	mm	90	90	90
	Overall length ¹⁾		l1	mm	1855 + 440	1896 + 440	2025 + 440
	Length to face of forks ¹⁾		l2	mm	705 + 440	746 + 440	875 + 440
	Overall width		b1	mm	790	790	790
	Fork dimensions		s / e / l	mm	60/180/1150	60/180/1150	60/180/1150
	Distance between fork-arms		b5	mm	570/685	570/685	570/685
	Groundclearance, centre of wheelbase		m2	mm	28	28	28
Aisle width for pallets, 1000x1200mm, Lengthways ¹⁾		Ast	mm	2285	2325	2455	
Aisle width for pallets, 1000x1200mm, Crossways ¹⁾		Ast	mm	2250	2290	1420	
Turning radius ¹⁾		Wa	mm	1380	1420	1550	
Performance	Travel speed, laden / unladen		km/h	7.0 / 8.0	6.0 / 7.0	6.0 / 7.0	
	Lifting Speed, laden / unladen		m/s	0.09 / 0.14	0.13 / 0.20	0.13 / 0.20	
	Lowering speed, laden / unladen		m/s	0.25 / 0.20	0.28 / 0.23	0.28 / 0.23	
	Gradeability, laden / unladen		%	6 / 12	6 / 12	6 / 10	
Service brake				Electromagnetic	Electromagnetic	Electromagnetic	
Motor, Battery	AC - Drive motor rating S2 60min		kW	1.4	1.4	1.4	
	DC - Lift motor rating S3 10%		kW	1.5	3.2	3.2	
	Battery acc. to DIN 43535 A / B / C / no			2VBS	3VBS	3Pzs	
	Battery voltage / nominal capacity		K5	V / Ah	24 / 180	24 / 270	24 / 350
	Battery weight			kg	175	230	288

Mast	Lowered Mast height	Free Lift height	Lift height	Extended Mast height	Max. Forks Height
	h1 (mm)	h2 (mm)	h3 (mm)	h4 (mm)	h3+h13 (mm)
BSR12N					
STD	1958	-	2830	3380	2920
	2108	-	3130	3680	3220
	2308	-	3530	4080	3620
FFL	1958	1410	2830	3380	2920
	2108	1560	3130	3680	3220
	2308	1760	3530	4080	3620
BSR16N					
STD	1958	-	2830	3380	2920
	2108	-	3130	3680	3220
	2308	-	3530	4080	3620
FFL	1958	1410	2830	3380	2920
	2108	1560	3130	3680	3220
	2308	1760	3530	4080	3620
FFT	1708	1120	3330	3880	3420
	1908	1320	3930	4480	4020
	2008	1420	4230	4780	4320
	2108	1520	4530	5080	4620
	2343	1756	5230	5780	5320
2410	1800	5430	6110	5520	
BSR20N					
STD	2078	-	2830	3500	2920
	2228	-	3130	3800	3220
	2428	-	3530	4200	3620
FFL	1978	1310	2630	3300	2720
	2078	1410	2830	3500	2920
	2228	1560	3130	3800	3220
	2428	1760	3530	4200	3620
FFT	1978	1310	3930	4600	4020
	2128	1420	4230	4900	4320
	2228	1520	4530	5200	4620



1) With compact platform: + 440 mm

Reach Stacker



**Platform Reach Stacker
Mast Moving Type**

■ 1.3T-1.5T
⚡ 24V
BSR13/15NR



**Platform Reach Stacker
Pantograph Type**

■ 1.4T
⚡ 24V
BSR14NP

Electric Reach Stacker

Operators of Doosan reach stackers find them easy to use - even in tight spaces - because their innovative controls and compact design enhance maneuverability.

The reach stacker series combines the advantages of a stacker and a reach truck to handle a wide variety of pallet sizes. It can also be used with stacked block pallets where there is no space between loads for outriggers, allowing the operator to reach over obstacles instead of moving them.



Order Picker



High Level Order Picker

■ 1.5T
⚡ 24V
BOP15S-9

Order Picker

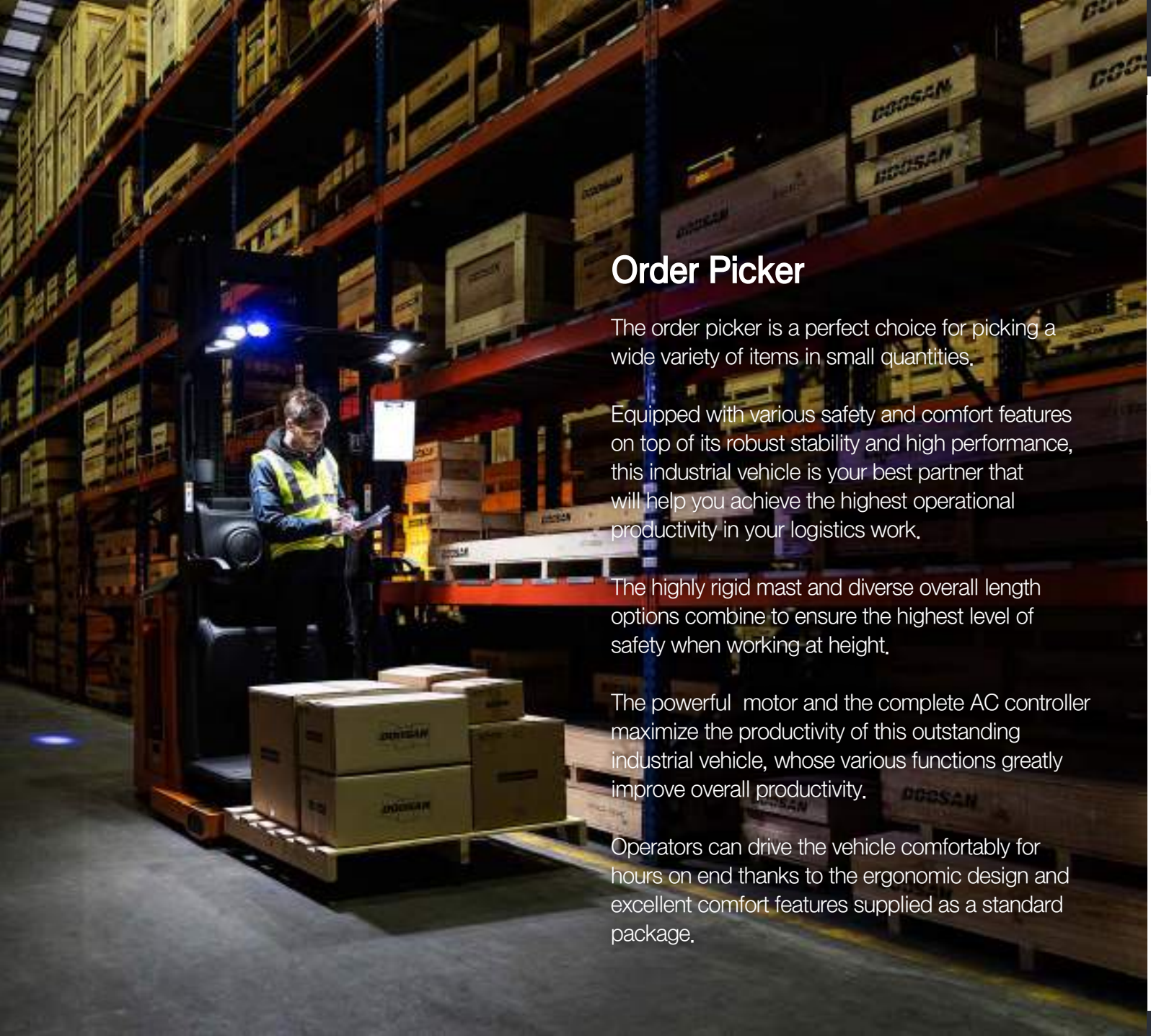
The order picker is a perfect choice for picking a wide variety of items in small quantities.

Equipped with various safety and comfort features on top of its robust stability and high performance, this industrial vehicle is your best partner that will help you achieve the highest operational productivity in your logistics work.

The highly rigid mast and diverse overall length options combine to ensure the highest level of safety when working at height.

The powerful motor and the complete AC controller maximize the productivity of this outstanding industrial vehicle, whose various functions greatly improve overall productivity.

Operators can drive the vehicle comfortably for hours on end thanks to the ergonomic design and excellent comfort features supplied as a standard package.



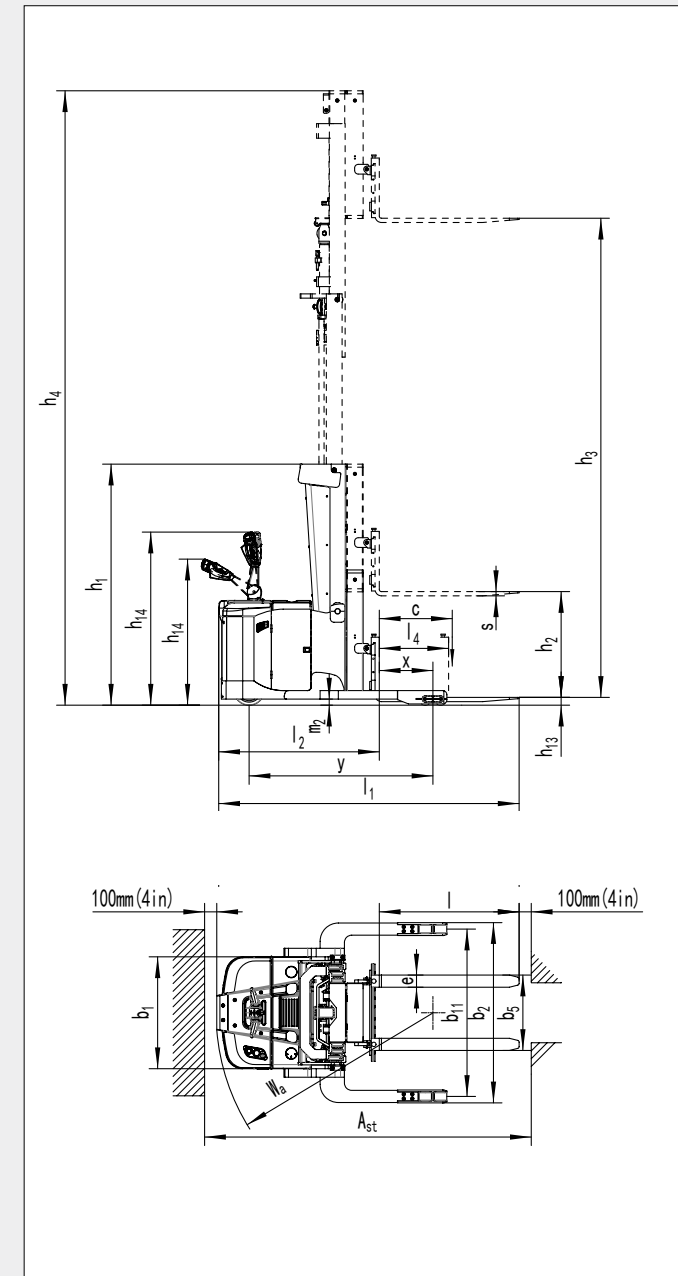
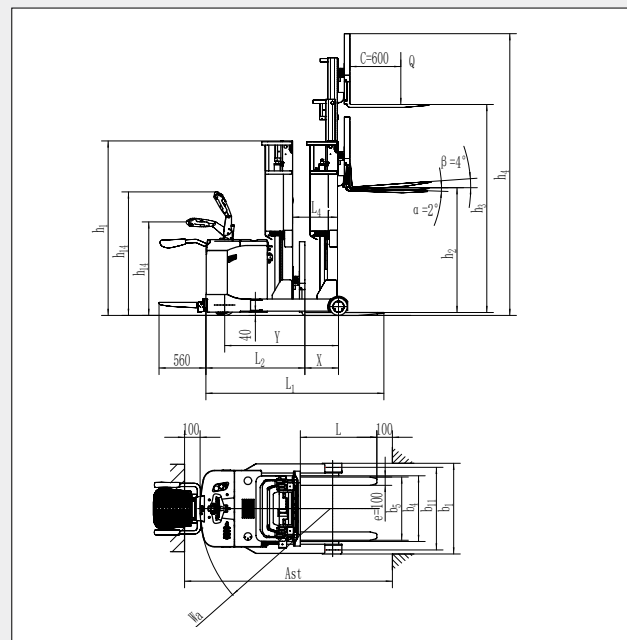
Electric Platform Reach Stacker, Mast Moving Type BSR13/15NR

General	Model		BSR13NR			BSR15NR				
	Power		AC Motor			AC Motor				
	Operator Type		Pedestrian			Pedestrian				
	Load Capacity / Rated Load		Q	kg	1300			1500		
	Load Center Distance		C	mm	600			600		
	Load Center Distance (LMC)		X	mm	415			485		
Wheelbase		y	mm	1350			1500			
Service Weight inc. Battery			kg	1750	1900	2200	1800	1950	2250	
Tires	Tires		Polyurethane (PU)			Polyurethane (PU)				
	Drive Wheel			mm	250×82			250×82		
	Load Wheel			mm	210×85			230×100		
	Caster Wheel			mm	124×60			124×60		
	Tread, Body (Caster Wheel - Caster Wheel)		b10	mm	680			680		
	Tread, Fork (Load Wheel - Load Wheel)		b11	mm	1085			1085		
Dimensions	Lowered Mast Height		h1	mm	2196	2096	2196	2196	2096	2196
	Free Lift		h2	mm	1600	-	1600	1600	-	1600
	Lift Height		h3	mm	1600	3000	4800	1600	3000	4800
	Extended Mast Height		h4	mm	2485	3885	5685	2485	3885	5685
	Tilt of fork carriage forward/backward		α/β	°	2/4			2/4		
	Height of tiller in drive position min./max.		h14	mm	Min. 1030 / Max. 1415			Min. 1030 / Max. 1415		
	Height, Lowered		h13	mm	50			50		
	Overall Length		l1	mm	2080 ¹⁾			2160 ¹⁾		
	Reach Stroke		l4	mm	545			630		
	Length to Face of Forks		l2	mm	1160 ¹⁾			1240 ¹⁾		
	Overall Width		b1	mm	1180			1184		
	Performance	Forks Dimensions		s/e/l	mm	35/100/920(1070)			35/100/920(1070)	
Distance between wheel arms/loading surfaces		b4	mm	880			880			
Width across Forks		b5	mm	220-760			220-760			
Ground Clearance, Center of Wheelbase		m2	mm	40			40			
Aisle width for pallet 800 x 1200 lengthways		Ast	mm	2650 ¹⁾			2740 ¹⁾			
Aisle width for pallet 1000 x 1200 crossways		Ast	mm	2600 ¹⁾			2710 ¹⁾			
Turning Radius		Wa	mm	1570			1720			
Travel Speed (Laden, Unladen)			km/h	5,5/6,0-8,0/8,0			5,5/6,0-8,0/8,0			
Lifting Speed (Laden/Unladen)			m/s	0,085/0,122	0,085/0,122	0,11/0,165	0,11/0,165	0,11/0,165	0,11/0,165	
Lowering Speed (Laden/Unladen)			m/s	0,125/0,08	0,125/0,08	0,11/0,10	0,11/0,10	0,11/0,10	0,11/0,10	
Max Gradeability (Laden, Unladen)			%	5/8			5/8			
Battery		Service Brake			Electromagnetic			Electromagnetic		
	Battery Type			3PzS	3PzS	4PzS	3PzS	3PzS	4PzS	
	Battery Capacity		V / Ah	24 / 270	24 / 270	24 / 400	24 / 270	24 / 270	24 / 400	
	Battery Weight		kg	251	251	372	251	251	372	

Electric Platform Reach Stacker, Pantograp Type BSR14NP

General	Model		BSR14NP								
	Power		AC Motor								
	Operator Type		Pedestrian								
	Load Capacity / Rated Load		Q	kg	1400						
	Load Center Distance		C	mm	600						
	Load Center Distance (LMC)		X	mm	410				441		
Weight	Wheelbase		y	mm	1512						
	Service weight, incl. Battery			kg	2300		2300				
	Axle loading, laden front/rear			kg	1470/830		1470/830				
	Axle loading, Fork Advanced, unladen front/rear			kg	675/3025		675/3025				
	Axle loading, Fork retracted, unladen front/rear			kg	1280/2420		1280/2420				
	Tires	Tires		Polyurethane (PU)							
Drive Wheel			mm	254 × 82							
Load Wheel			mm	102 × 70							
Tread, Body (Caster Wheel - Caster Wheel)		b10	mm	-							
Tread, Fork (Load Wheel - Load Wheel)		b11	mm	971-1376							
Dimensions		Lowered Mast Height		h1	mm	1982	2132	2332	1982	2182	2322
	Free Lift		h2	mm	-	-	-	870	1070	1210	1370
	Lift Height		h3	mm	2840	3140	3540	3940	4540	4940	5440
	Extended Mast Height		h4	mm	3952	4252	4652	5052	5652	6052	6552
	Tilt of fork carriage forward/backward		α/β	°	2 / 4						
	Height of tiller in drive position min./max.		h14	mm	Min. 1200 / Max. 1420						
	Height, Lowered		h13	mm	64						
	Overall Length		l1	mm	2585		2554				
	Length to Face of Forks		l2	mm	1435		1404				
	Overall Width		b1/b2	mm	920/ (1077/1482)						
	Forks Dimensions		s/e/l	mm	35/100/1150						
	Performance	Reach Stroke		l4	mm	570					
Width across Forks		b5	mm	200-760							
Ground Clearance, Center of Wheelbase		m2	mm	50							
Aisle width for pallet 800 x 1200 lengthways		Ast	mm	2856		2828					
Aisle width for pallet 1000 x 1200 crossways		Ast	mm	2812		2791					
Turning Radius		Wa	mm	1770							
Travel Speed (Laden, Unladen)			km/h	7,0/7,0							
Lifting Speed (Laden/Unladen)			m/s	0,12/0,19							
Lowering Speed (Laden/Unladen)			m/s	0,17/0,15							
Reach Speed (Laden/Unladen)			m/s	0,15/0,16							
Max Gradeability (Laden, Unladen)			%	6 / 10							
Battery		Service Brake			Electromagnetic						
	Battery Type			A, 4PzS							
	Battery Capacity		V / Ah	24 / 400							
	Battery Weight		kg	380							

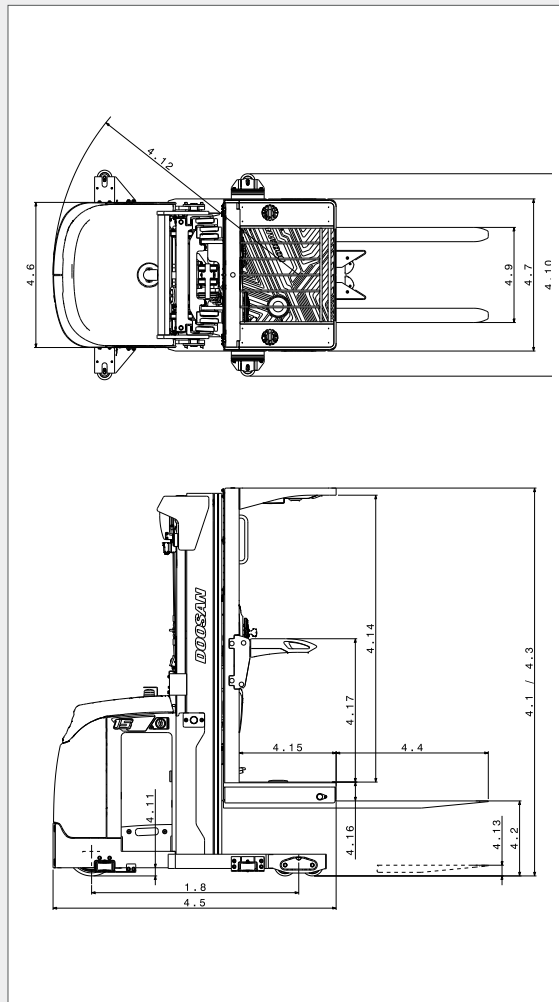
Mast	Lowered Mast Height	Free Lift	Lift Height	Extended Mast Height
	h1 (mm)	h2(mm)	h3(mm)	h4(mm)
BSR13NR				
Single	1796	1200	1200	2085
	2196	1600	1600	2485
	2396	1800	1800	2685
STD	1796	-	2400	3285
	2096		3000	3885
FFT	1796	1200	3600	4485
	2096	1500	4500	5295
	2196	1600	4800	5685
BSR15NR				
Single	1796	1200	1200	2085
	2196	1600	1600	2485
	2396	1800	1800	2685
STD	1796	-	2400	3285
	2096		3000	3885
FFT	1796	1200	3600	4485
	2096	1500	4500	5295
	2196	1600	4800	5685



1) Platform Type: l1, l2 =+100, Wa/Ast=+100.

High Level Order Picker BOP15S-9

General	1.2	Model	BOP15S-9			
	1.3	Power Voltage	V	24		
	1.4	Drive	AC Motor			
	1.5	Type of Operation	Order Picker			
	1.6	Load Capacity / Rated Load	lb(kg)	3000 (1360)		
	1.7	Load Center Distance	in(mm)	24 (610)		
	1.8	Wheelbase	in(mm)	57.1 (1450)		
	2.1	Service Weight /wo Battery	lb(kg)	6237 (2829)		
Tires	3.1	Tyres	Poly			
	3.2	Tyre Size, Rear (Load)	in(mm)	6x2.8 (152x70)		
	3.3	Tyre Size, Front (Drive)	in(mm)	13x5.5 (330x140)		
	3.4	Wheels, number front/rear(x = driven wheels)	Drive/Load	1x / 4		
Dimensions	4.1	Lowered Mast Height	in(mm)	95.3(2420)	105.3 (2675)	116.3(2955)
	4.2	Maximum Fork Height	in(mm)	210(5330)	240 (6100)	273(6940)
	4.3	Extended Mast Height	in(mm)	269.7(7535)	327 (8305)	360(9145)
	4.4	Standard Fork Length	in(mm)	42 (1065)		
	4.5	Length to Face of Forks	in(mm)	78 (1982)		
	4.6	Overall Width (Chassis)	in(mm)	40 (1016)		
	4.7	Baseleg Overall Width	in(mm)	42(1065)	42 (1065)	48(1219)
	4.8	Standard Fork Dimensions (L x W x T)	in(mm)	42x4x2 (1065x100x50)		
	4.9	Width Over Forks	in(mm)	22/30 (570/762)		
	4.10	Width Over Guide Rollers (Min / Max)	in(mm)	47.5~65.2 (1206~1657)	53.5~71.2(1359~1808)	
	4.11	Ground Clearance, Center of Wheelbase	in(mm)	2 (52)		
	4.12	Turning Radius	in(mm)	67.8 (1722)		
	4.13	Fork height when fully lowerd	in(mm)	3 (75)		
	4.14	Operator Compartment Height	in(mm)	79 (2008)		
	4.15	Driver Compartment Length	in(mm)	26.7 (679)		
	4.16	Top of fork to floor height	in(mm)	5.2 (132)		
	4.17	Side Gate Height	in(mm)	39.5 (1003)		
	4.18	Maximum Battery Compartment (L x W x H)	in(mm)	13,2x35x32,3 (335x890x820)		
Performance	5.1	Travel Speed, Loaded / Unloaded	mph(km/h)	7.5/7.5 (12/12)		
	5.2	Lift Speed, Loaded / Unloaded	fpm(m/s)	45/67 (0.23/0.34)		
	5.3	Lowering Speed, Loaded / Unloaded	fpm(m/s)	80/80 (0.40/0.40)		
	5.4	Service Brake	Regenerative			
	5.5	Parking Brake	Electric Disc			
Motor, Battery	6.1	Drive Motor Rating S2 60min	hp(kW)	5.8 (4.3)		
	6.2	Lift Motor Rating S3 15%	hp(kW)	14.7 (11)		
	6.3	Steering Rating S3 15%	hp(kW)	1.1 (0.85)		
	6.4	Standard Battery Connector	SB350 Red			
	Minimum battery weight	lb(kg)	1413 (641)			



Mast	Max. Fork Height	Mast Lowered Height	Extended Height	Free Lift	Load Capacities LC 610mm
	mm	mm	mm	mm	kg
FFT	5330	2420	7535	155	1360
	6100	2675	8305	410	1360
	6940	2955	9145	760	910



Stand-up Rider

Controlled by an upright operator up is perfect for work in warehouses, compact spaces and containers, but also on rough surfaces thanks to its low step height, competitive turning radius, and 18" drive tires.

This industrial vehicle is the best choice to ensure the highest level of productivity and convenience with specifications that guarantee powerful performance and prominent durability, in addition to a variety of stylish designs and convenience features.



Stand up Rider

- 1.5T-2.0T
- ⚡ 36V
- B15/18/20SU-9

Stnad-up Rider B15/18/20SU-9

General	1.2	Model	B15SU-9		B18SU-9		B20SU-9			
	1.3	Drive : electric(battery or mains) ,diesel, petrol ,fuel gas, manual	Electric		Electric		Electric			
Tires	1.5	Load capacity/rated load	lb(kg)	Q	3,000(1,360)		3,500(1,580)		4,000(1,810)	
	1.6	Load centre distance	in(mm)	c	24(610)		24(610)		24(610)	
	1.8	Load distance, centre of drive axle to fork	in(mm)	x	12,6(320)		12,6(320)		12,6(320)	
	1.9	Wheelbase	in(mm)	y	43,9(1,115)	45,7(1,160)	45,7(1,160)	48,0(1,220)	48,0(1,220)	
Dimensions	2.1	Service weight (with min. weight of battery)	lb(kg)		8,620(3,910)	8,212(3,725)	8,940(4,055)	8,995(4,080)	9,325(4,230)	
	2.2	Axle loading, loaded front/rear	lb(kg)		10,070/1,550 (4,570/700)	10,050/1,160 (4,560/525)	11,005/1,435 (4,990/645)	11,000/1,495 (4,990/670)	11,955/1,370 (5,425/615)	
Performance	4.1	Tilt of mast/fork carriage forward (α)/backward(β)	deg	α / β	5 / 5		5 / 5		5 / 5	
	4.2	Height, mast lowered	in(mm)	h1	83,7(2,125)		83,7(2,125)			
	4.3	Free lift	in(mm)	h2	36,4(925)		36,4(925)			
	4.4	Lift (with FFT 3-stage mast)	in(mm)	h3	190(4,825)		190(4,825)			
	4.5	Height, mast extended	in(mm)	h4	238,6(6,060)		238,6(6,060)			
	4.7	Height to top of overhead guard	in(mm)	h6	88(2,235)		88(2,235)			
	4.19	Overall length	in(mm)	l1	107,5(2,725)	109,0(2,765)	109,0(2,765)	111,5(2,830)	111,5(2,830)	
	4.20	Length to face of forks	in(mm)	l2	66,0 (1,675)	67,5 (1,715)	67,5 (1,715)	70,0 (1,780)	70,0 (1,780)	
	4.21	Overall width	in(mm)	b1	42(1,070)		42(1,070)		42(1,070)	
	4.22	Fork dimensions	mm(in)	s / e / l	1,4x3,9x41,3 (35x100x1,050)		1,4x3,9x41,3 (35x100x1,050)		1,5x3,9x41,3 (40x100x1,050)	
	4.24	Fork carriage width	in(mm)	b3	38(973)		38(973)		38(973)	
	4.24a	Fork Spacing (min/max)	in(mm)		9,4/35,5 (240/905)		9,4/35,5 (240/905)		9,4/35,5 (240/905)	
	4.31	Ground clearance, with load, below mast	in(mm)	m1	2,5(70)		2,5(70)		2,5(70)	
	4.32	Ground clearance, centre of wheelbase	in(mm)	m2	4(102)		4(102)		4(102)	
Motor, Battery	4.34.1	Aisle width for pallets 1000 x 1200 crossways	in(mm)	Ast	118(3,009)	120(3,052)	120(3,052)	122(3,110)	122(3,110)	
	4.34.1	Aisle width for pallets 800 x 1200 lengthways	in(mm)	Ast	123(3,131)	125(3,174)	125(3,174)	127(3,232)	127(3,232)	
	4.35	Turning radius	in(mm)	Wa	53,5(1,360)	55,2(1,400)	55,2(1,400)	57,5(1,460)	57,5(1,460)	
	4.36	Internal turning radius	in(mm)	b13	0		0		0	
	5.1	Travel speed, loaded / unloaded	mph(km/h)		7.5 / 7.5 (12.0 / 12.0)		7.5 / 7.5 (12.0 / 12.0)		7.5 / 7.5 (12.0 / 12.0)	
Motor, Battery	5.2	Lift speed, loaded / unloaded	fpm(mm/s)		65 / 110 (330 / 560)		60 / 110 (305 / 560)		55 / 110 (280 / 560)	
	5.3	Lowering speed, loaded / unloaded	fpm(mm/s)		98 / 88 (500 / 450)		98 / 88 (500 / 450)		98 / 88 (500 / 450)	
	5.6	Maximum drawbar pull, loaded / unloaded, 5 minute rating	lb(N)		1,724(7,664)	1,660(7,380)	1,843(8193)	1,843(8193)	1,973(8,770)	
	5.8	Maximum gradeability, loaded / unloaded, 5 minute rating	%(deg)		15 / (8.5 /)		15 / (8.5 /)		15 / (8.5 /)	
	6.1	Drive motor rating S2 60 minute	hp(kW)		6,0(4,5)		6,0(4,5)		6,0(4,5)	
Motor, Battery	6.2	Lifting motor rating at S3 15%	hp(kW)		12,1(9,0)		12,1(9,0)		12,1(9,0)	
	6.4	Battery voltage/nominal capacity K5	V / Ah		36 / 930	36 / 1,085	36 / 1,085	36 / 1,240	36 / 1,240	
	6.5	Battery weight (min)	lb(kg)		1,995(905)	2,280(1,035)	2,280(1,035)	2,600(1,180)	2,600(1,180)	
		Battery compartment* L/W/H	in(mm)		16,5 / 38,9 / 31,0 (419 / 988 / 787)	18,2 / 38,9 / 31,0 (462 / 988 / 787)	18,2 / 38,9 / 31,0 (462 / 988 / 787)	20,5 / 38,9 / 31,0 (521 / 988 / 787)	20,5 / 38,9 / 31,0 (521 / 988 / 787)	

B15SU-9

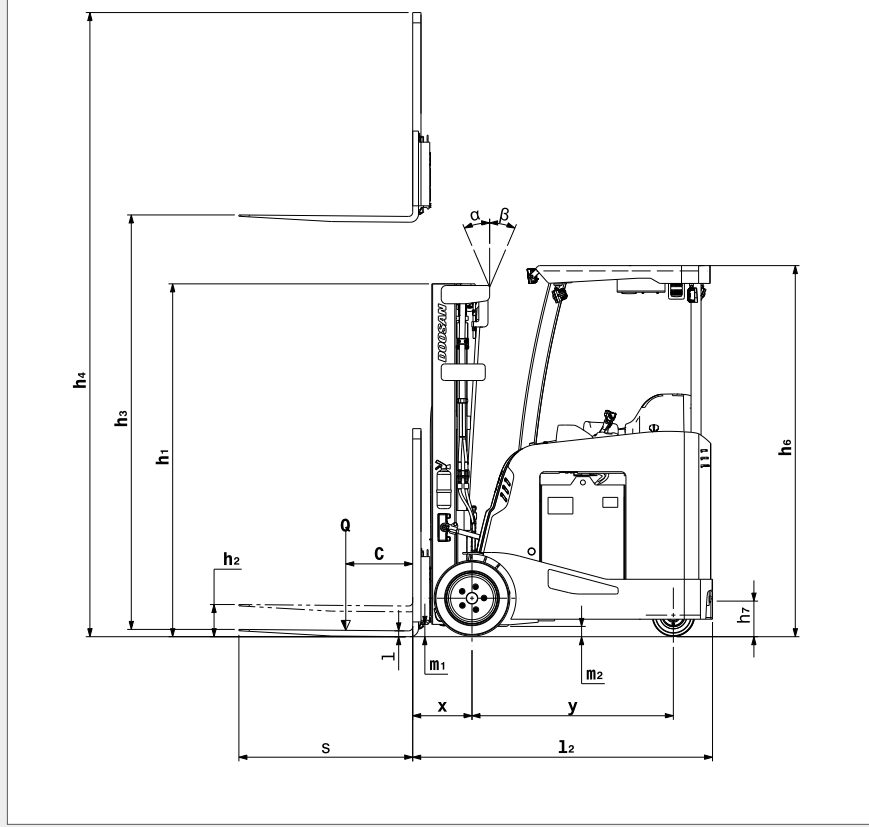
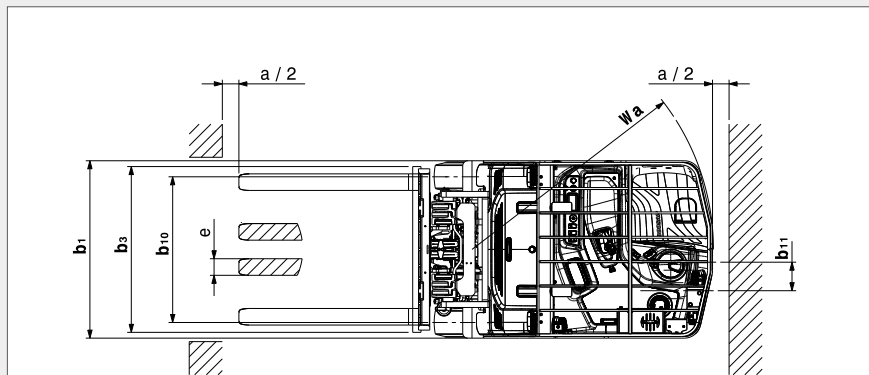
Mast type	Battery compartment		Max. Fork Height		Mast Lowered Height		Extended Height		Free Lift		Tilt Angle		Load Capacities	
	in	mm	in	mm	in	mm	in	mm	in	mm	Fwd deg	Bwd deg	LC 500mm kg	LC 24" (610mm) lb
FFT	16.5	419	157.5	4000	72.8	1850	206.1	5235	25.6	650	5	5	1500	3000
			190.0	4825	83.7	2125	238.6	6060	36.4	925	5	5	1500	3000
			204.7	5200	88.6	2250	253.3	6435	41.3	1050	5	5	1300	3000
			218.5	5550	93.1	2365	266.9	6780	45.9	1165	5	5	1225	2900
FFT	18.2	462	237.0	6020	100.4	2550	285.6	7255	53.1	1350	5	5	1125	2650
			157.5	4000	72.8	1850	206.1	5235	25.6	650	5	5	1500	3000
			190.0	4825	83.7	2125	238.6	6060	36.4	925	5	5	1425	2850
			204.7	5200	88.6	2250	253.3	6435	41.3	1050	5	5	1375	2750
FFT	18.2	462	218.5	5550	93.1	2365	266.9	6780	45.9	1165	5	5	1325	2700
			237.0	6020	100.4	2550	285.6	7255	53.1	1350	5	5	1250	2550

B18SU-9

Mast type	Battery compartment		Max. Fork Height		Mast Lowered Height		Extended Height		Free Lift		Tilt Angle		Load Capacities	
	in	mm	in	mm	in	mm	in	mm	in	mm	Fwd deg	Bwd deg	LC 500mm kg	LC 24" (610mm) lb
FFT	18.2	462	157.5	4000	72.8	1850	206.1	5235	25.6	650	5	5	1800	3500
			190.0	4825	83.7	2125	238.6	6060	36.4	925	5	5	1525	3400
			204.7	5200	88.6	2250	253.3	6435	41.3	1050	5	5	1375	3200
			218.5	5550	93.1	2365	266.9	6780	45.9	1165	5	5	1275	3000
FFT	20.5	520	237.0	6020	100.4	2550	285.6	7255	53.1	1350	5	5	1150	2750
			157.5	4000	72.8	1850	206.1	5235	25.6	650	5	5	1800	3500
			190.0	4825	83.7	2125	238.6	6060	36.4	925	5	5	1600	3500
			204.7	5200	88.6	2250	253.3	6435	41.3	1050	5	5	1400	3300
FFT	20.5	520	218.5	5550	93.1	2365	266.9	6780	45.9	1165	5	5	1300	3100
			237.0	6020	100.4	2550	285.6	7255	53.1	1350	5	5	1200	2850

B20SU-9

Mast type	Battery compartment		Max. Fork Height		Mast Lowered Height		Extended Height		Free Lift		Tilt Angle		Load Capacities	
	in	mm	in	mm	in	mm	in	mm	in	mm	Fwd deg	Bwd deg	LC 500mm kg	LC 24" (610mm) lb
FFT	20.5	520	157.5	4000	72.8	1850	206.3	5240	25.6	650	5	5	2000	4000
			190.0	4825	83.7	2125	238.8	6065	36.4	925	5	5	1600	3750
			204.7	5200	88.6	2250	253.5	6440	41.3	1050	5	5	1425	3350
			218.5	5550	93.1	2365	267.1	6785	45.9	1165	5	5	1350	3200
FFT	20.5	520	237.0	6020	100.4	2550	285.8	7260	53.1	1350	5	5	1250	2900



Reach Truck



Reach Truck, Standing Type
■ 1.3T-2.5T
▼ 36V
BR13/15/18/20/25S-9



Reach Truck, Pantograph Type
■ 1.8T-2.0T
▼ 36V
BR18/20SP-7 PLUS

Reach Truck

The electric reach truck is optimized for both loading and driving and enables the operator to control the truck flawlessly through its continuous smooth and refined movements.

Its various ergonomic features also help to significantly reduce the causes of operator fatigue. Because the exceptional visibility is designed to assist the operator, the vehicle can carry out the work more easily and safely.

The Doosan AC control system ensures powerful performance and unrivalled credibility.

The performance of the equipment is adaptable to customer needs, resulting in maximum vehicle uptime and customer satisfaction.





Doosan Corporation Industrial Vehicle

Products and specifications are subject to change without prior notice.

www.doosan-iv.com

2020 April