

### Pallet Truck

BPL18/20S-7, BPM20S-7, BPR20S-7  
BER30/40S-9  
LPM15/20N, BPM18NC, BPM16/20N  
BPR20/25N

### Stacker

BSL10/13S-7, BSL14/16/20S-7  
BDL13S-7  
LSM12N, BSL12/16N, BSL12/16/18NL  
BSR12/16/20N, BSR13/15NR, BSR14NP

### Reach Stacker

BSR13/15NR, BSR14NP

### Order Picker

BOP15S-9

### Stand-up Rider

B15/18/20SU-9



# DOOSAN WAREHOUSE EQUIPMENT





## DOOSAN WAREHOUSE EQUIPMENTS

### Pallet Truck

BPL18/20S-7, BPM20S-7  
BPR20S-7, BER30/40S-9  
LPM15/20N, BPM18NC  
BPM16/20N, BPR20/25N

### Stacker

BSL10/13S-7, BSL14/16/20S-7  
BDL13S-7, LSM12N  
BSL12/16N, BSL12/16/18NL  
BSR12/16/20N

### Reach Stacker

BSR13/15NR, BSR14NP

### Order Picker

BOP15S-9

### Stand-up Rider

B15/18/20SU-9

# Premium Electric Pallet Truck



**Premium**  
**Walkie Pallet Truck**  
 1.8T-2.0T  
 24V  
 BPL18/20S-7



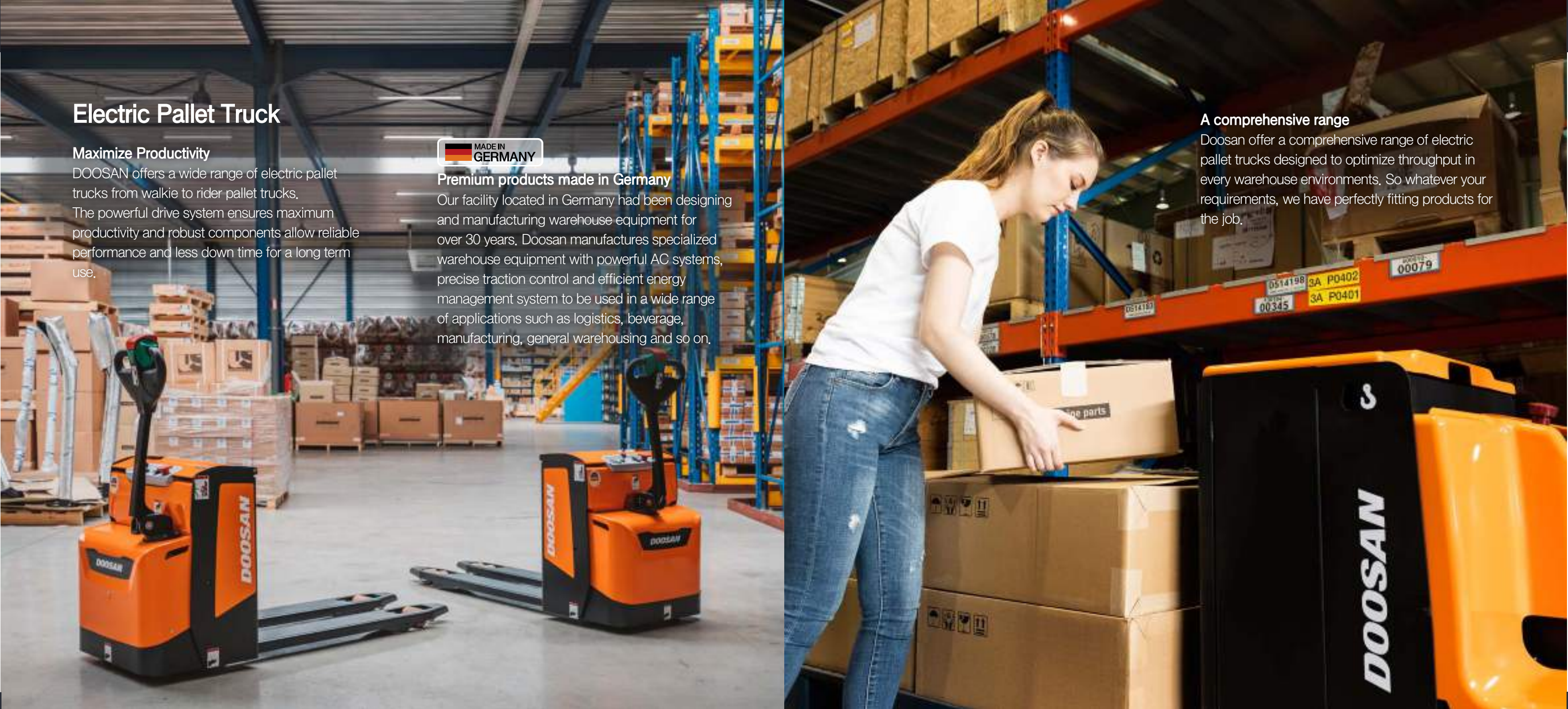
**Premium**  
**Walkie Pallet Truck**  
 2.0T  
 24V  
 BPM20S-7



**Premium**  
**Platform Pallet Truck**  
 2.0T  
 24V  
 BPR20S-7  
 SOP: June, '20



**Premium**  
**Rider Pallet Truck**  
 3.0T-4.0T  
 24V  
 BER30/40S-9



## Electric Pallet Truck

### Maximize Productivity

DOOSAN offers a wide range of electric pallet trucks from walkie to rider pallet trucks. The powerful drive system ensures maximum productivity and robust components allow reliable performance and less down time for a long term use.



### Premium products made in Germany

Our facility located in Germany had been designing and manufacturing warehouse equipment for over 30 years. Doosan manufactures specialized warehouse equipment with powerful AC systems, precise traction control and efficient energy management system to be used in a wide range of applications such as logistics, beverage, manufacturing, general warehousing and so on.

### A comprehensive range

Doosan offer a comprehensive range of electric pallet trucks designed to optimize throughput in every warehouse environments. So whatever your requirements, we have perfectly fitting products for the job.

# Electric Pallet Truck



**Li-Ion**  
**Walkie Pallet Truck**  
 1.5T-2.0T  
 24V  
 LPM15/20N



**Walkie Pallet Truck**  
 1.8T  
 24V  
 BPM18NC



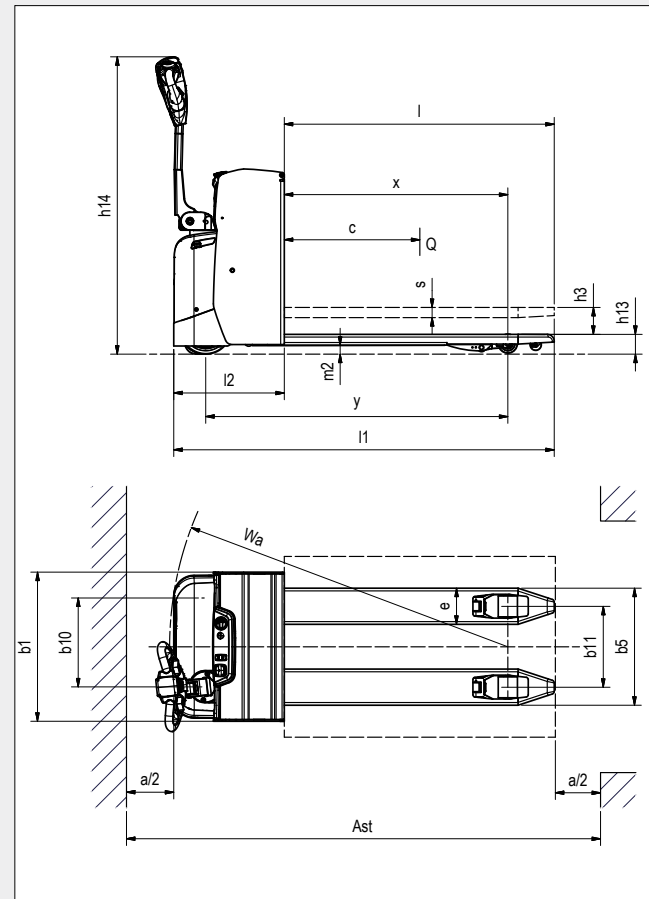
**Walkie Pallet Truck**  
 1.6T-2.0T  
 24V  
 BPM16/20N



**Platform Pallet Truck**  
 2.0T-2.5T  
 24V  
 BPR20/25N

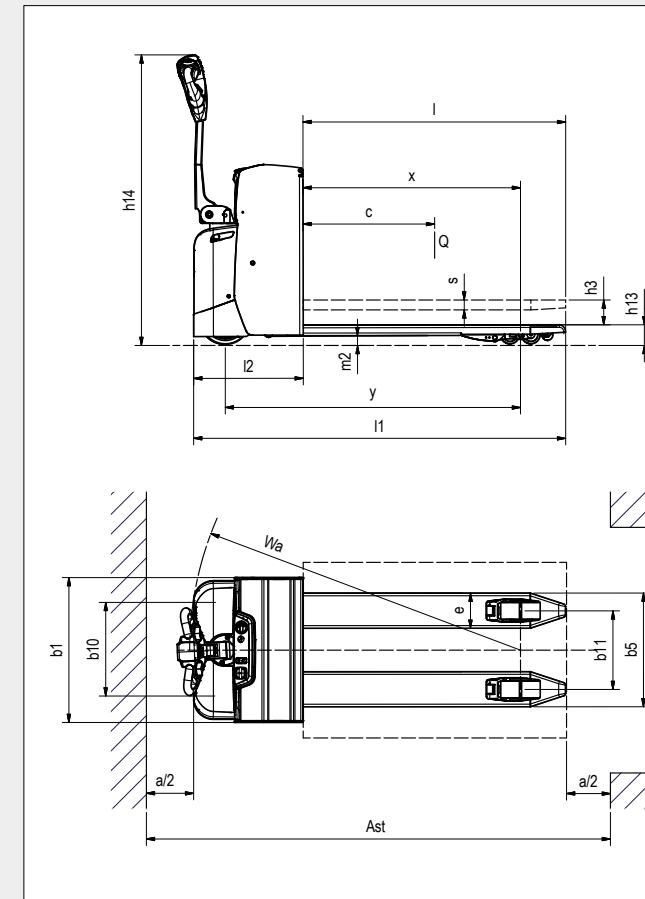
## Electric Walkie Pallet Truck BPL18/20S-7 Premium

|                |  |       |        |                 |                 |
|----------------|--|-------|--------|-----------------|-----------------|
| General        | Model  |       |        | BPL18S-7        | BPL20S-7        |
|                | Power  |       |        | AC Motor        | AC Motor        |
|                | Operator Type                                |       |        | Pedestrian      | Pedestrian      |
|                | Load Capacity / Rated Load                   | Q     | kg     | 1800            | 2000            |
|                | Load Center Distance                         | C     | mm     | 600             | 600             |
|                | Load Center Distance (LMC)                   | X     | mm     | 990             | 990             |
|                | Wheelbase                                    | y     | mm     | 1337            | 1337            |
| Weight         | Service Weight inc. Battery                  |       | kg     | 500             | 520             |
|                | Axle loading, laden front/rear               |       | kg     | 915/1385        | 1013/1507       |
|                | Axle loading, unladen front/rear             |       | kg     | 410/90          | 426/94          |
| Tires          | Tires  |       |        | Vulkollan       | Vulkollan       |
|                | Drive Wheel                                  |       | mm     | ø230 x 80       | ø230 x 80       |
|                | Load Wheel                                   |       | mm     | ø85 / 78        | ø85 / 78        |
|                | Caster Wheel                                 |       | mm     | ø125 x 50       | ø125 x 50       |
|                | Tread, Body (Caster Wheel - Caster Wheel)    | b10   | mm     | 385             | 385             |
|                | Tread, Fork (Load Wheel - Load Wheel)        | b11   | mm     | 358             | 358             |
| Dimensions     | Lift Height                                  | h3    | mm     | 120             | 120             |
|                | Height of tiller in drive position min./max. | h14   | mm     | 1260            | 1260            |
|                | Height, Lowered                              | h13   | mm     | 85              | 85              |
|                | Overall Length                               | l1    | mm     | 1683            | 1683            |
|                | Length to Face of Forks                      | l2    | mm     | 490             | 490             |
|                | Overall Width                                | b1    | mm     | 660             | 660             |
|                | Forks Dimensions                             | e / l | mm     | 160 / 1195      | 160 / 1195      |
|                | Width across Forks                           | b5    | mm     | 520             | 520             |
|                | Ground Clearance, Center of Wheelbase        | m2    | mm     | 35              | 35              |
|                | Aisle width for pallet 800 x 1200 lengthways | Ast   | mm     | 2128            | 2128            |
| Turning Radius | Wa   | mm    | 1476   | 1476            |                 |
| Performance    | Travel Speed (Laden, Unladen)                |       | km/h   | 5.66            | 5.66            |
|                | Max Greadeability (Laden, Unladen)           |       | %      | 8/10            | 8/10            |
|                | Service Brake                                |       |        | Electromagnetic | Electromagnetic |
| Motor/Battery  | AC Drive Motor rating at S2 60 min           |       | kW     | 1.0             | 1.0             |
|                | DC Lift Motor at S3 10%                      |       | kW     | 1.2             | 1.2             |
|                | Battery Type                                 |       |        | 2EPzS           | 2EPzS           |
|                | Battery Capacity                             | K5    | V / Ah | 24 / 230        | 24 / 230        |
|                | Battery Weight                               |       | kg     | 210             | 210             |



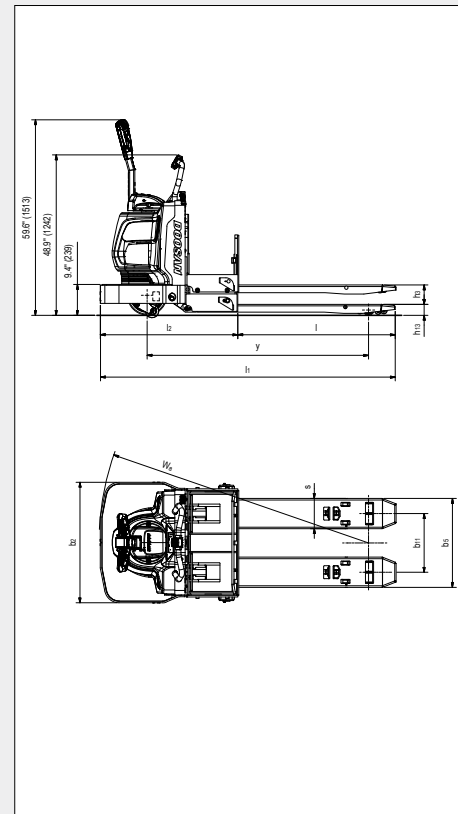
## Electric Platform Pallet Truck BPM20S-7 Premium

|                |  |       |        |      |                 |
|----------------|--|-------|--------|------|-----------------|
| General        | Model  |       |        |      | BPM20S-7        |
|                | Power  |       |        |      | AC Motor        |
|                | Operator Type                                |       |        |      | Pedestrian      |
|                | Load Capacity / Rated Load                   | Q     | kg     |      | 2000            |
|                | Load Center Distance                         | C     | mm     |      | 600             |
|                | Load Center Distance (LMC)                   | X     | mm     |      | 990             |
|                | Wheelbase                                    | y     | mm     |      | 1350            |
| Weight         | Service Weight inc. Battery                  |       | kg     |      | 540             |
|                | Axle loading, laden front/rear               |       | kg     |      | 1028/1512       |
|                | Axle loading, unladen front/rear             |       | kg     |      | 441/99          |
| Tires          | Tires  |       |        |      | Vulkollan       |
|                | Drive Wheel                                  |       | mm     |      | ø230 x 80       |
|                | Load Wheel                                   |       | mm     |      | ø85 / 78        |
|                | Caster Wheel                                 |       | mm     |      | 2x ø85 / 40     |
|                | Tread, Body (Caster Wheel - Caster Wheel)    | b10   | mm     |      | 419             |
|                | Tread, Fork (Load Wheel - Load Wheel)        | b11   | mm     |      | 358             |
| Dimensions     | Lift Height                                  | h3    | mm     |      | 120             |
|                | Height of tiller in drive position min./max. | h14   | mm     |      | 1260            |
|                | Height, Lowered                              | h13   | mm     |      | 85              |
|                | Overall Length                               | l1    | mm     |      | 1699            |
|                | Length to Face of Forks                      | l2    | mm     |      | 503             |
|                | Overall Width                                | b1    | mm     |      | 660             |
|                | Forks Dimensions                             | e / l | mm     |      | 160 / 1195      |
|                | Width across Forks                           | b5    | mm     |      | 520             |
|                | Ground Clearance, Center of Wheelbase        | m2    | mm     |      | 35              |
|                | Aisle width for pallet 800 x 1200 lengthways | Ast   | mm     |      | 2147            |
| Turning Radius | Wa   | mm    |        | 1497 |                 |
| Performance    | Travel Speed (Laden, Unladen)                |       | km/h   |      | 5.66            |
|                | Max Greadeability (Laden, Unladen)           |       | %      |      | 8/10            |
|                | Service Brake                                |       |        |      | Electromagnetic |
| Motor/Battery  | AC Drive Motor rating at S2 60 min           |       | kW     |      | 1.0             |
|                | DC Lift Motor at S3 10%                      |       | kW     |      | 1.2             |
|                | Battery Type                                 |       |        |      | 2EPzS           |
|                | Battery Capacity                             | K5    | V / Ah |      | 24 / 230        |
|                | Battery Weight                               |       | kg     |      | 210             |



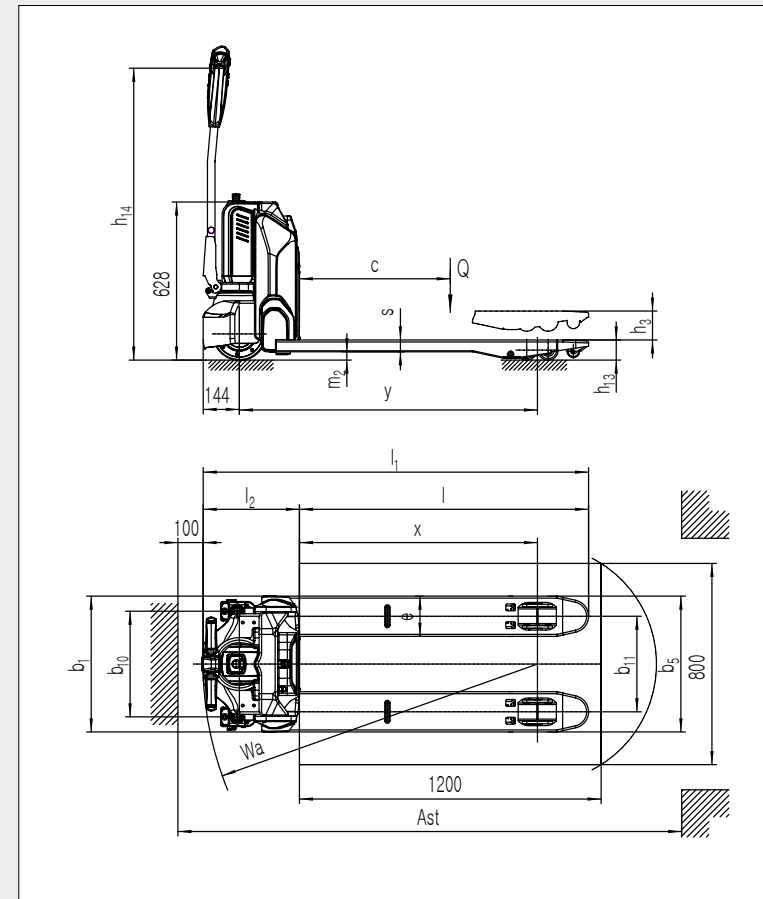
# Electric Rider Pallet Truck BER30/40S-9 Premium

|                    |  |     |   |                 |              |              |              |              |              |              |              |          |
|--------------------|--|-----|---|-----------------|--------------|--------------|--------------|--------------|--------------|--------------|--------------|----------|
| General            | Model  |     | BER30-9   |                 |              |              | BER40-9      |              |              |              |              |          |
|                    | Power  |     | AC Motor  |                 |              |              | AC Motor     |              |              |              |              |          |
|                    | Operator Type                                |     | Rider Type                                      |                 |              |              | Rider Type   |              |              |              |              |          |
|                    | Load Capacity / Rated Load                   | Q   | kg  | 2722            | 2722         | 2722         | 3629         | 3629         | 3629         | 3629         | 3629         | 3629     |
|                    | Wheelbase (Lowered)                          | y   | mm  | 1409            | 1714         | 2019         | 1409         | 1714         | 2019         | 2281         | 2281         | 2281     |
| Wheelbase (Raised) | y  | mm  | 1317  | 1622            | 1927         | 1317         | 1622         | 1927         | 2189         | 2189         | 2189         |          |
| Weight             | Service Weight inc. Battery                  |     | kg  | 620             | 643          | 666          | 630          | 653          | 676          | 729          | 740          | 744      |
|                    | Axle loading, unladen front/rear             |     | kg  | 889/410         | 961/361      | 1038/306     | 933/376      | 952/357      | 1046/309     | 1095/313     | 1109/311     | 1122/301 |
| Tires              | Tires  |     | Vulkollan, Polyurethane (PU), Polyurethane (PU) |                 |              |              |              |              |              |              |              |          |
|                    | Drive Wheel                                  |     | mm  | 305x110x241     | 305x110x241  | 305x110x241  | 305x110x241  | 305x110x241  | 305x110x241  | 305x110x241  | 305x110x241  |          |
|                    | Load Wheel                                   |     | mm  | 83x83           | 83x83        | 83x83        | 83x83        | 83x83        | 83x83        | 83x83        | 83x83        |          |
|                    | Caster Wheel                                 |     | mm  | 102x64          | 102x64       | 102x64       | 102x64       | 102x64       | 102x64       | 102x64       | 102x64       |          |
|                    | Tread, Body (Caster Wheel - Caster Wheel)    | b11 | mm  | 678             | 678          | 678          | 678          | 678          | 678          | 678          | 678          |          |
|                    | Tread, Fork (Load Wheel - Load Wheel)        | b12 | mm  | 454             | 454          | 454          | 454          | 454          | 454          | 454          | 454          |          |
| Dimensions         | Lift Height                                  | h3  | mm  | 150             | 150          | 150          | 150          | 150          | 150          | 150          | 150          |          |
|                    | Height of tiller in drive position min./max. | h14 | mm  | 1513            | 1513         | 1513         | 1513         | 1513         | 1513         | 1513         | 1513         |          |
|                    | Platform Height                              |     | mm  | 239             | 239          | 239          | 239          | 239          | 239          | 239          | 239          |          |
|                    | Height, Lowered                              | h13 | mm  | 85              | 85           | 85           | 85           | 85           | 85           | 85           | 85           |          |
|                    | Overall Length (Lowered)                     | l1  | mm  | 1979            | 2284         | 2589         | 1979         | 2284         | 2589         | 3199         | 3427         | 3503     |
|                    | Overall Length (Raised)                      | l1  | mm  | 1986            | 2291         | 2596         | 1986         | 2291         | 2596         | 3206         | 3434         | 3510     |
|                    | Length to Face of Forks (Lowered)            | l2  | mm  | 1065            | 1065         | 1065         | 1065         | 1065         | 1065         | 1065         | 1065         |          |
|                    | Length to Face of Forks (Raised)             | l2  | mm  | 1072            | 1072         | 1072         | 1072         | 1072         | 1072         | 1072         | 1072         |          |
|                    | Overall Width                                | b2  | mm  | 933             | 933          | 933          | 933          | 933          | 933          | 933          | 933          |          |
|                    | Forks Dimensions                             | s/l | mm  | 234/914         | 234/1219     | 234/1524     | 234/914      | 234/1219     | 234/1524     | 254/2134     | 254/2362     | 254/2438 |
|                    | Width across Forks                           | b5  | mm  | 688             | 688          | 688          | 688          | 688          | 709          | 709          | 709          |          |
|                    | Ground Clearance, Center of Wheelbase        | m2  | mm  | 25              | 25           | 25           | 25           | 25           | 25           | 25           | 25           |          |
|                    | Aisle width for pallet 800 x 1200 lengthways | Ast | mm  | 2649            | 2885         | 3268         | 2649         | 2885         | 3268         | 3583         | 3583         | 3583     |
|                    | Turning Radius                               | Wa  | mm  | 1782            | 2085         | 2389         | 1782         | 2085         | 2389         | 2650         | 2650         | 2650     |
| Performance        | Travel Speed (Laden, Unladen)                |     | km/h  | 10,8/14,5       | 10,8/14,5    | 10,8/14,5    | 10,8/14,5    | 10,8/14,5    | 10,8/14,5    | 10,8/14,5    | 10,8/14,5    |          |
|                    | Travel Speed (Laden, Unladen) - Backwards    |     | km/h  | 9,7/9,7         | 9,7/9,7      | 9,7/9,7      | 9,7/9,7      | 9,7/9,7      | 9,7/9,7      | 9,7/9,7      | 9,7/9,7      |          |
|                    | Max Gradeability (Laden, Unladen)            |     | %   | 10              | 10           | 10           | 8            | 8            | 8            | 8            | 8            |          |
|                    | Service Brake                                |     |   | Electromagnetic |              |              |              |              |              |              |              |          |
| Battery            | Battery Type                                 |     |   |                 |              |              |              |              |              |              |              |          |
|                    | Battery Capacity                             | K5  | V / Ah  | 24 / 375-930    | 24 / 375-930 | 24 / 375-930 | 24 / 375-930 | 24 / 375-930 | 24 / 375-930 | 24 / 375-930 | 24 / 375-930 |          |
|                    | Battery Weight                               |     | kg  | 245-680         | 245-680      | 245-680      | 245-680      | 245-680      | 245-680      | 245-680      | 245-680      |          |



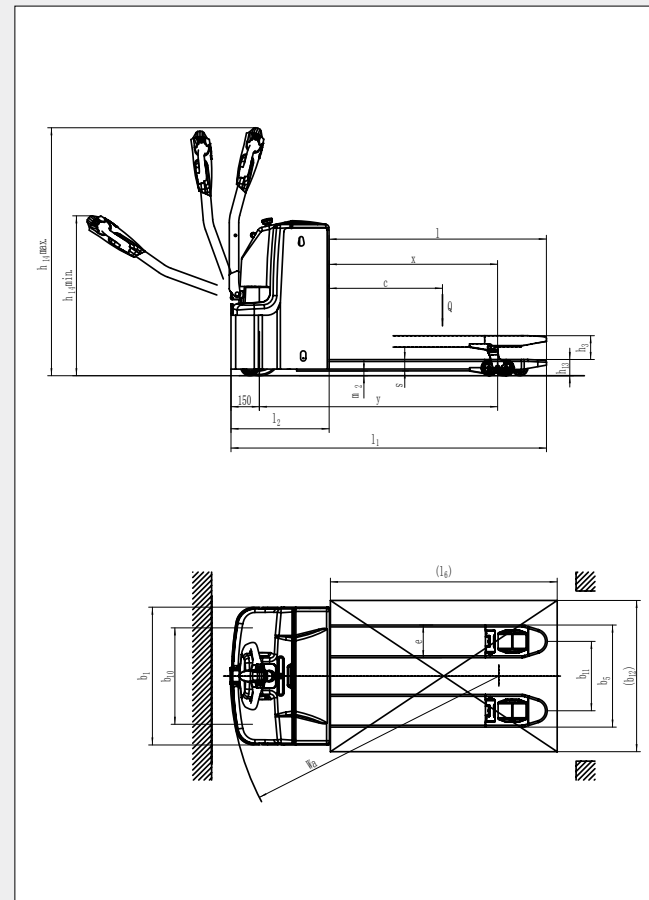
# Li-ion Walkie Pallet Truck LPM15/20N Li-Ion

|                                   |  |                                |        |                      |                      |            |
|-----------------------------------|--|--------------------------------|--------|----------------------|----------------------|------------|
| General                           | Model  |                                |        | LPM15N               | LPM20N               |            |
|                                   | Power  |                                |        | AC Motor             | AC Motor             |            |
|                                   | Operator Type                                |                                |        | Pedestrian           | Pedestrian           |            |
|                                   | Load Capacity / Rated Load                   | Q                              | kg     | 1500                 | 2000                 |            |
|                                   | Load Center Distance                         | C                              | mm     | 600                  | 600                  |            |
| Load Center Distance (LMC)        | X  | mm                             | 947    | 951                  |                      |            |
| Wheelbase                         | y  | mm                             | 1185   | 1189                 |                      |            |
| Weight                            | Service Weight inc. Battery                  |                                | kg     | 123                  | 149                  |            |
|                                   | Axle loading, laden front/rear               |                                | kg     | 623/1000             | 621/1528             |            |
| Tires                             | Axle loading, unladen front/rear             |                                | kg     | 96/27                | 115/34               |            |
|                                   | Tires  |                                |        | Polyurethane (PU)    | Polyurethane (PU)    |            |
|                                   | Drive Wheel                                  |                                | mm     | ø210x70              | ø210x70              |            |
|                                   | Load Wheel                                   |                                | mm     | ø80x93               | ø80x93               |            |
|                                   | Caster Wheel                                 |                                | mm     | 100X40               | 100X40               |            |
|                                   | Tread, Fork (Load Wheel - Load Wheel)        | b11                            | mm     | 380                  | 525                  |            |
| Dimensions                        | Lift Height                                  | h3                             | mm     | 115                  | 115                  |            |
|                                   | Height of tiller in drive position min./max. | h14                            | mm     | Min. 700 / Max. 1160 | Min. 700 / Max. 1160 |            |
|                                   | Height, Lowered                              | h13                            | mm     | 80                   | 80                   |            |
|                                   | Overall Length                               | l1                             | mm     | 1530                 | 1536                 |            |
|                                   | Length to Face of Forks                      | l2                             | mm     | 380                  | 380                  |            |
|                                   | Overall Width                                | b1                             | mm     | 540/685              | 540/685              |            |
|                                   | Forks Dimensions                             | s / e / l                      | mm     | 47/160/1150          | 47/160/1150          |            |
|                                   | Width across Forks                           | b5                             | mm     | 540/685              | 540/685              |            |
|                                   | Ground Clearance, Center of Wheelbase        | m2                             | mm     | 33                   | 33                   |            |
|                                   | Aisle width for pallet 800 x 1200 lengthways | Ast                            | mm     | 2000                 | 2006                 |            |
|                                   | Turning Radius                               | Wa                             | mm     | 1330                 | 1336                 |            |
|                                   | Performance                                  | Travel Speed (Laden, Unladen)  |        | km/h                 | 4,6/4,8              | 4,8/5,2    |
|                                   |  | Lifting Speed (Laden/Unladen)  |        | m/s                  | 0,020/0,025          | 0,17/0,022 |
|                                   |  | Lowering Speed (Laden/Unladen) |        | m/s                  | 0,05/0,04            | 0,05/0,03  |
| Max Gradeability (Laden, Unladen) |  |                                | %      | 4/16                 | 7/16                 |            |
| Service Brake                     |  |                                |        | Electromagnetic      | Electromagnetic      |            |
| Battery                           | Battery Type                                 |                                |        | Li-ion(NMC)          | Li-ion(NMC)          |            |
|                                   | Battery Capacity                             | K5                             | V / Ah | 24 / 20              | 48 / 20              |            |
|                                   | Battery Weight                               |                                | kg     | 4,6                  | 7,5                  |            |



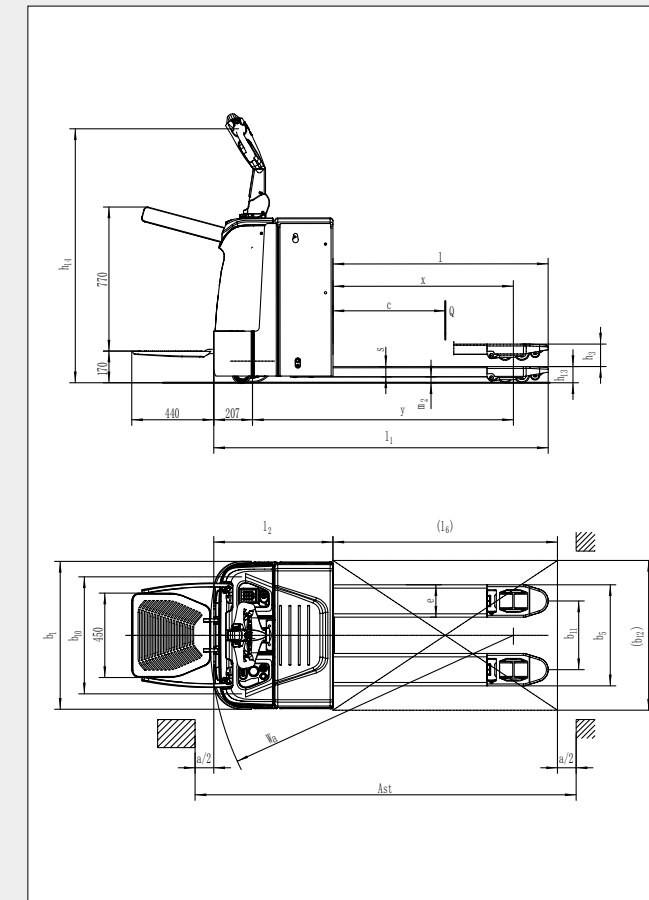
## Electric Walke Pallet Truck BPM18NC, BPM16/20N

|                                    |  |                               |        |                      |                      |                      |
|------------------------------------|--|-------------------------------|--------|----------------------|----------------------|----------------------|
| General                            | Model  |                               |        | BPM18NC              | BPM16N               | BPM20N               |
|                                    | Power  |                               |        | AC Motor             | AC Motor             | AC Motor             |
|                                    | Operator Type                                |                               |        | Pedestrian           | Pedestrian           | Pedestrian           |
|                                    | Load Capacity / Rated Load                   | Q                             | kg     | 1800                 | 1600                 | 2000                 |
|                                    | Load Center Distance                         | C                             | mm     | 600                  | 600                  | 600                  |
|                                    | Load Center Distance (LMC)                   | X                             | mm     | 9481)                | 892                  | 892                  |
|                                    | Wheelbase                                    | y                             | mm     | 13601)               | 1261                 | 1550                 |
| Weight                             | Service Weight inc. Battery                  |                               | kg     | 415                  | 445                  | 535                  |
|                                    | Axle loading, laden front/rear               |                               | kg     | 785/1430             | 715/1330             | 855/1680             |
|                                    | Axle loading, unladen front/rear             |                               | kg     | 335/80               | 345/100              | 415/120              |
| Tires                              | Tires  |                               |        | Polyurethane (PU)    | Polyurethane (PU)    | Polyurethane (PU)    |
|                                    | Drive Wheel                                  |                               | mm     | 210X70               | 230X70               | 230X70               |
|                                    | Load Wheel                                   |                               | mm     | 74X100               | 84X84                | 84X84                |
|                                    | Caster Wheel                                 |                               | mm     | /                    | 100X40               | 100X40               |
|                                    | Tread, Body (Caster Wheel - Caster Wheel)    | b10                           | mm     | 560                  | 510                  | 510                  |
|                                    | Tread, Fork (Load Wheel - Load Wheel)        | b11                           | mm     | 525                  | 367/512              | 367/512              |
| Dimensions                         | Lift Height                                  | h3                            | mm     | 120                  | 120                  | 120                  |
|                                    | Height of tiller in drive position min./max. | h14                           | mm     | Min. 770 / Max. 1230 | Min. 820 / Max. 1335 | Min. 820 / Max. 1335 |
|                                    | Height, Lowered                              | h13                           | mm     | 75                   | 85                   | 85                   |
|                                    | Overall Length                               | l1                            | mm     | 1790                 | 1670                 | 1735                 |
|                                    | Length to Face of Forks                      | l2                            | mm     | 570                  | 520                  | 595                  |
|                                    | Overall Width                                | b1                            | mm     | 729                  | 729                  | 729                  |
|                                    | Forks Dimensions                             | s / e / l                     | mm     | 50/160/1220(1150)    | 60/173/1150          | 60/173/1150          |
|                                    | Width across Forks                           | b5                            | mm     | 685                  | 540/685              | 540/685              |
|                                    | Ground Clearance, Center of Wheelbase        | m2                            | mm     | 25                   | 25                   | 25                   |
|                                    | Aisle width for pallet 1000 x 1200 crossways | Ast                           | mm     | 2270                 | 2250                 | 2315                 |
|                                    | Aisle width for pallet 800 x 1200 lengthways | Ast                           | mm     | /                    | 2140                 | 2205                 |
|                                    | Turning Radius                               | Wa                            | mm     | 1525                 | 1440                 | 1490                 |
|                                    | Performance                                  | Travel Speed (Laden, Unladen) |        | km/h                 | 5,0/5,2              | 6,0/6,0              |
| Lifting Speed (Laden/Unladen)      |  |                               | m/s    | 0.025/0.030          | 0.025/0.035          | 0.020/0.035          |
| Lowering Speed (Laden/Unladen)     |  |                               | m/s    | 0.030/0.025          | 0.035/0.030          | 0.035/0.030          |
| Max Greadeability (Laden, Unladen) |  |                               | %      | 8 / 12               | 8/15                 | 8/15                 |
| Battery                            | Service Brake                                |                               |        | Electromagnetic      | Electromagnetic      | Electromagnetic      |
|                                    | Battery Type                                 |                               |        | 2VBS                 | 2VBS                 | 2PzS                 |
|                                    | Battery Capacity                             | K5                            | V / Ah | 24 / 160             | 24 / 160             | 24 / 210             |
|                                    | Battery Weight                               |                               | kg     | 145                  | 155                  | 215                  |



## Electric Platform Pallet Truck BPR20/25N

|                                    |  |                               |        |                         |                         |
|------------------------------------|--|-------------------------------|--------|-------------------------|-------------------------|
| General                            | Model  |                               |        | BPR20N                  | BPR25N                  |
|                                    | Power  |                               |        | AC Motor                | AC Motor                |
|                                    | Operator Type                                |                               |        | Pedestrian (Rider Type) | Pedestrian (Rider Type) |
|                                    | Load Capacity / Rated Load                   | Q                             | kg     | 2000                    | 2500                    |
|                                    | Load Center Distance                         | C                             | mm     | 600                     | 600                     |
|                                    | Load Center Distance (LMC)                   | X                             | mm     | 892                     | 892                     |
|                                    | Wheelbase                                    | y                             | mm     | 1330                    | 1435                    |
| Weight                             | Service Weight inc. Battery                  |                               | kg     | 650                     | 820                     |
|                                    | Axle loading, laden front/rear               |                               | kg     | 1110/1540               | 1370/1950               |
|                                    | Axle loading, unladen front/rear             |                               | kg     | 510/140                 | 600/200                 |
| Tires                              | Tires  |                               |        | Polyurethane (PU)       | Polyurethane (PU)       |
|                                    | Drive Wheel                                  |                               | mm     | 210x70                  | 210x70                  |
|                                    | Load Wheel                                   |                               | mm     | 84x84                   | 84x84                   |
|                                    | Caster Wheel                                 |                               | mm     | 100x40                  | 100x40                  |
|                                    | Tread, Body (Caster Wheel - Caster Wheel)    | b10                           | mm     | 560                     | 560                     |
|                                    | Tread, Fork (Load Wheel - Load Wheel)        | b11                           | mm     | 367/512                 | 367/512                 |
| Dimensions                         | Lift Height                                  | h3                            | mm     | 120                     | 120                     |
|                                    | Height of tiller in drive position min./max. | h14                           | mm     | Min. 950/ Max. 1350     | Min. 950/ Max. 1350     |
|                                    | Height, Lowered                              | h13                           | mm     | 85                      | 85                      |
|                                    | Overall Length                               | l1                            | mm     | 1790                    | 1895                    |
|                                    | Length to Face of Forks                      | l2                            | mm     | 640                     | 745                     |
|                                    | Overall Width                                | b1                            | mm     | 790                     | 790                     |
|                                    | Forks Dimensions                             | s / e / l                     | mm     | 55/173/1150             | 55/173/1150             |
|                                    | Width across Forks                           | b5                            | mm     | 540/685                 | 540/685                 |
|                                    | Ground Clearance, Center of Wheelbase        | m2                            | mm     | 30                      | 30                      |
|                                    | Aisle width for pallet 1000 x 1200 crossways | Ast                           | mm     | 2290                    | 2505                    |
|                                    | Aisle width for pallet 800 x 1200 lengthways | Ast                           | mm     | 2400                    | 2395                    |
|                                    | Turning Radius                               | Wa                            | mm     | 1585                    | 1690                    |
|                                    | Performance                                  | Travel Speed (Laden, Unladen) |        | km/h                    | 7,0/8,0                 |
| Lifting Speed (Laden/Unladen)      |  |                               | m/s    | 0.025/0.03              | 0.035/0.045             |
| Lowering Speed (Laden/Unladen)     |  |                               | m/s    | 0.030/0.025             | 0.045/0.050             |
| Max Greadeability (Laden, Unladen) |  |                               | %      | 8 / 15                  | 8 / 15                  |
| Battery                            | Service Brake                                |                               |        | Electromagnetic         | Electromagnetic         |
|                                    | Battery Type                                 |                               |        | DIN                     | DIN                     |
|                                    | Battery Capacity                             | K5                            | V / Ah | 24 / 210 2PzS           | 24 / 350 3PzS           |
|                                    | Battery Weight                               |                               | kg     | 185                     | 285                     |



## Premium Electric Stacker



**Premium**  
**Compact Walkie Stacker**  
📦 1.25T  
🔌 24V  
BSL13S-7C



**Premium**  
**Walkie Stacker**  
📦 1.4T-2.0T  
🔌 24V  
BSL14/16/20S-7



**Premium**  
**Walkie Double Stacker**  
📦 1.8T/1.25T  
🔌 24V  
BDL13S-7

 **MADE IN GERMANY**



## Electric Stacker

### Improved efficiency in narrow warehouses

The electric stacker is a flexible and efficient handling solution for transporting, stacking or storing pallets in narrow warehouses. It can lift up to 5.7 meters\* and its productivity can be doubled.  
\*BSL16N, FFT mast



### Premium products made in Germany

Our facility located in Germany had been designing and manufacturing warehouse equipment for over 30 years. Doosan manufactures specialized warehouse equipment with powerful AC systems, precise traction control and efficient energy management system to be used in a wide range of applications such as logistics, beverage, manufacturing, general warehousing and so on.

## Electric Stacker



**Li-Ion**  
**Walkie Stacker**  
📦 1.2T  
🔌 24V  
LSM12N



**Walkie Stacker**  
📦 1.2T-1.6T  
🔌 24V  
BSL12/16N



**Walkie Straddle Stacker**  
📦 1.2T-1.8T  
🔌 24V  
BSM12/16/18NL

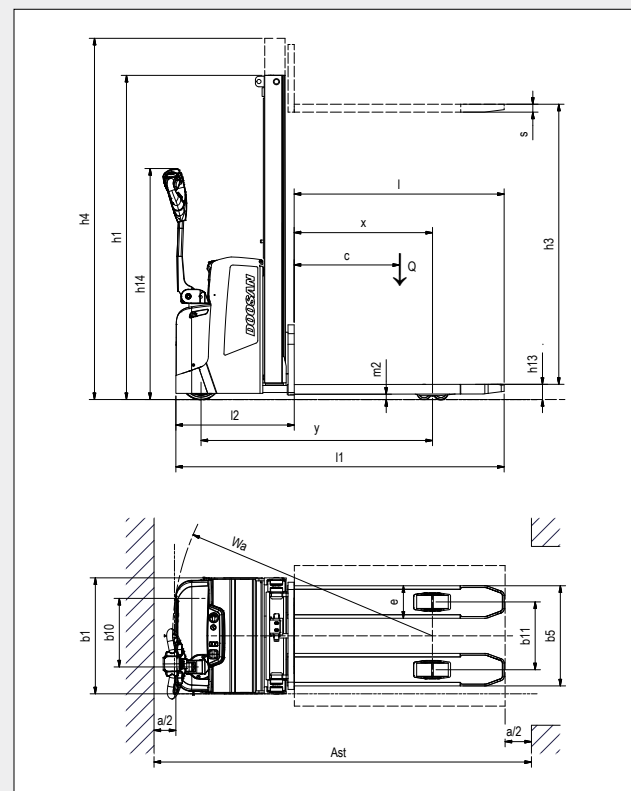


**Platform Stacker**  
📦 1.2T-2.0T  
🔌 24V  
BSR12/16/20N

# Electric Compact Walkie Stacker BSL10/13S-7C Premium

|                                    |  |                               |                 |                 |             |
|------------------------------------|--|-------------------------------|-----------------|-----------------|-------------|
| General                            | Model  |                               |                 | BSL10S-7C       | BSL13S-7C   |
|                                    | Power  |                               |                 | AC Motor        | AC Motor    |
|                                    | Operator Type                                |                               |                 | Pedestrian      | Pedestrian  |
|                                    | Load Capacity / Rated Load                   | Q                             | kg              | 1000            | 1300        |
|                                    | Load Center Distance                         | C                             | mm              | 600             | 600         |
|                                    | Load Center Distance (LMC)                   | X                             | mm              | 787             | 787         |
|                                    | Wheelbase                                    | y                             | mm              | 1318            | 1318        |
| Weight                             | Service Weight inc. Battery                  |                               | kg              | 770             | 770         |
|                                    | Axle loading, laden front/rear               |                               | kg              | 682/1088        | 717/1303    |
|                                    | Axle loading, unladen front/rear             |                               | kg              | 542/228         | 542/228     |
| Tires                              | Tires  |                               |                 | Vulkollan       | Vulkollan   |
|                                    | Drive Wheel                                  |                               | mm              | ø230x70         | ø230x70     |
|                                    | Load Wheel                                   |                               | mm              | ø85/78          | ø85/78      |
|                                    | Caster Wheel                                 |                               | mm              | ø125x50         | ø125x50     |
|                                    | Tread, Body (Caster Wheel - Caster Wheel)    | b11                           | mm              | 390             | 390         |
|                                    | Tread, Fork (Load Wheel - Load Wheel)        | b12                           | mm              | 385             | 385         |
| Dimensions                         | Lowered Mast Height                          | h1                            | mm              | Mast Table      |             |
|                                    | Lift Height                                  | h3                            | mm              | Mast Table      |             |
|                                    | Height of tiller in drive position min./max. | h14                           | mm              | 1250            | 1250        |
|                                    | Height, Lowered                              | h13                           | mm              | 90              | 90          |
|                                    | Overall Length                               | l1                            | mm              | 1870            | 1870        |
|                                    | Length to Face of Forks                      | l2                            | mm              | 674             | 674         |
|                                    | Overall Width                                | b1                            | mm              | 660             | 660         |
|                                    | Forks Dimensions                             | s / e / l                     | mm              | 55/185/1195     | 55/185/1195 |
|                                    | Width across Forks                           | b5                            | mm              | 570             | 570         |
|                                    | Ground Clearance, Center of Wheelbase        | m2                            | mm              | 32              | 32          |
|                                    | Aisle width for pallet 800 x 1200 lengthways | Ast                           | mm              | 2253            | 2253        |
|                                    | Turning Radius                               | Wa                            | mm              | 1481            | 1481        |
|                                    | Performance                                  | Travel Speed (Laden, Unladen) |                 | km/h            | 5,5         |
| Lifting Speed (Laden/Unladen)      |  |                               | m/s             | 0,15/0,21       | 0,15/0,21   |
| Lowering Speed (Laden/Unladen)     |  |                               | m/s             | 0,53/0,24       | 0,53/0,24   |
| Max Greadeability (Laden, Unladen) |  |                               | %               | 7/12            | 7/12        |
| Service Brake                      |  |                               | Electromagnetic | Electromagnetic |             |
| Battery                            | Battery Type                                 |                               |                 |                 |             |
|                                    | Battery Capacity                             | K5                            | V / Ah          | 24 / 250        | 24 / 250    |
|                                    | Battery Weight                               |                               | kg              | 220             | 220         |

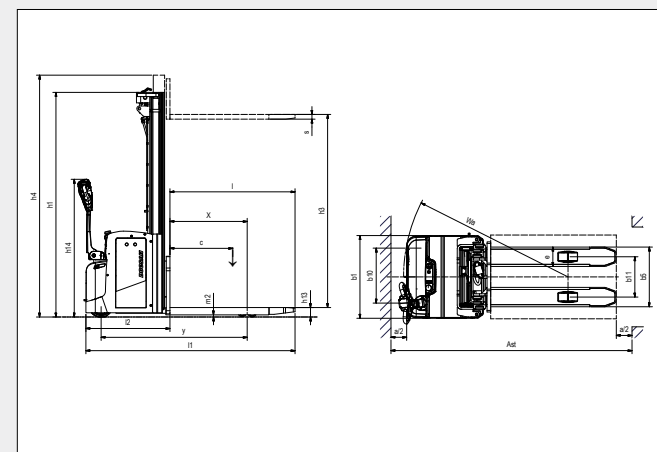
|           |                     |  |      |      |      |
|-----------|---------------------|--|------|------|------|
| Mast      | Lowered Mast Height |  |      |      |      |
|           | h1 (mm)             |  |      |      |      |
|           | Lift Height         |  |      |      |      |
|           | h3(mm)              |  |      |      |      |
| BSL10S-7C |                     |  |      |      |      |
| STD       |                     |  |      | 1300 | 1790 |
|           |                     |  |      | 1450 | 2090 |
|           |                     |  |      | 1650 | 2490 |
|           |                     |  |      | 1850 | 2890 |
|           |                     |  |      | 2050 | 3290 |
|           |                     |  | 2200 | 3590 |      |
| BSL13S-7C |                     |  |      |      |      |
| STD       |                     |  |      | 1300 | 1790 |
|           |                     |  |      | 1450 | 2090 |
|           |                     |  |      | 1650 | 2490 |
|           |                     |  |      | 1850 | 2890 |
|           |                     |  |      | 2050 | 3290 |
|           |                     |  | 2200 | 3590 |      |



# Electric Walkie Stacker BSL14/16/20S-7 Premium

|                                    |  |                               |                 |             |            |            |            |             |             |
|------------------------------------|--|-------------------------------|-----------------|-------------|------------|------------|------------|-------------|-------------|
| General                            | Model  |                               |                 | BSL14S-7    | BSL14S-7   | BSL16S-7   | BSL16S-7   | BSL20S-7    |             |
|                                    | Power  |                               |                 | AC Motor    | AC Motor   | AC Motor   | AC Motor   | AC Motor    |             |
|                                    | Operator Type                                |                               |                 | Pedestrian  | Pedestrian | Pedestrian | Pedestrian | Pedestrian  |             |
|                                    | Load Capacity / Rated Load                   | Q                             | kg              | 1400        | 1400       | 1600       | 1600       | 2000        |             |
|                                    | Load Center Distance                         | C                             | mm              | 600         | 600        | 600        | 600        | 600         |             |
|                                    | Load Center Distance (LMC)                   | X                             | mm              | 735         | 735        | 735        | 735        | 735         |             |
|                                    | Wheelbase                                    | y                             | mm              | 1326        | 1397       | 1326       | 1397       | 1397        |             |
| Weight                             | Service Weight inc. Battery                  |                               | kg              | 950         | 1260       | 950        | 1260       | 1350        |             |
|                                    | Axle loading, laden front/rear               |                               | kg              | 940/1610    | 1030/1830  | 940/1610   | 1030/1830  | 1172 / 2178 |             |
|                                    | Axle loading, unladen front/rear             |                               | kg              | 700/250     | 880/380    | 700/250    | 880/380    | 976 / 374   |             |
| Tires                              | Tires  |                               |                 | Vulkollan   |            |            |            |             |             |
|                                    | Drive Wheel                                  |                               | mm              | ø230 x 80   | ø230 x 80  | ø230 x 80  | ø230 x 80  | ø230 x 80   |             |
|                                    | Load Wheel                                   |                               | mm              | ø85 / 78    | ø85 / 78   | ø85 / 78   | ø85 / 78   | ø85 / 78    |             |
|                                    | Caster Wheel                                 |                               | mm              | ø140x60     | ø140x60    | ø140x60    | ø140x60    | ø140x60     |             |
|                                    | Tread, Body (Caster Wheel - Caster Wheel)    | b11                           | mm              | 525         | 525        | 525        | 525        | 525         |             |
|                                    | Tread, Fork (Load Wheel - Load Wheel)        | b12                           | mm              | 385         | 385        | 385        | 385        | 385         |             |
| Dimensions                         | Lowered Mast Height                          | h1                            | mm              | Mast Table  |            |            |            |             |             |
|                                    | Lift Height                                  | h3                            | mm              | Mast Table  |            |            |            |             |             |
|                                    | Height of tiller in drive position min./max. | h14                           | mm              | 1260        | 1260       | 1260       | 1260       | 1260        |             |
|                                    | Height, Lowered                              | h13                           | mm              | 90          | 90         | 90         | 90         | 90          |             |
|                                    | Overall Length                               | l1                            | mm              | 1928        | 2000       | 1928       | 2000       | 2000        |             |
|                                    | Length to Face of Forks                      | l2                            | mm              | 732         | 805        | 732        | 805        | 805         |             |
|                                    | Overall Width                                | b1                            | mm              | 790         | 790        | 790        | 790        | 790         |             |
|                                    | Forks Dimensions                             | s / e / l                     | mm              | 65/185/1195 |            |            |            |             | 70/185/1195 |
|                                    | Width across Forks                           | b5                            | mm              | 570         | 570        | 570        | 570        | 570         |             |
|                                    | Ground Clearance, Center of Wheelbase        | m2                            | mm              | 35          | 35         | 35         | 35         | 20          |             |
|                                    | Aisle width for pallet 800 x 1200 lengthways | Ast                           | mm              | 2304        | 2373       | 2304       | 2373       | 2391        |             |
|                                    | Turning Radius                               | Wa                            | mm              | 1490        | 1560       | 1490       | 1560       | 1580        |             |
|                                    | Performance                                  | Travel Speed (Laden, Unladen) |                 | km/h        | 6          | 6          | 6          | 6           | 6           |
| Lifting Speed (Laden/Unladen)      |  |                               | m/s             | 0,13/0,20   | 0,13/0,20  | 0,13/0,20  | 0,13/0,20  | 0,11/0,16   |             |
| Lowering Speed (Laden/Unladen)     |  |                               | m/s             | 0,49/0,23   | 0,49/0,23  | 0,49/0,23  | 0,49/0,23  | 0,49/0,23   |             |
| Max Greadeability (Laden, Unladen) |  |                               | %               | 7/12        | 7/12       | 7/12       | 7/12       | 7/12        |             |
| Service Brake                      |  |                               | Electromagnetic |             |            |            |            |             |             |
| Battery                            | Battery Type                                 |                               |                 | 2 EPzS      | 3 EPzS     | 2 EPzS     | 3 EPzS     | 3 EPzS      |             |
|                                    | Battery Capacity                             | K5                            | V / Ah          | 24 / 250    | 24 / 375   | 24 / 250   | 24 / 375   | 24 / 375    |             |
|                                    | Battery Weight                               |                               | kg              | 220         | 350        | 220        | 350        | 350         |             |

|                   |                     |  |  |      |      |
|-------------------|---------------------|--|--|------|------|
| Mast              | Lowered Mast Height |  |  |      |      |
|                   | h1 (mm)             |  |  |      |      |
|                   | Free Lift           |  |  |      |      |
|                   | h2(mm)              |  |  |      |      |
|                   | Lift Height         |  |  |      |      |
|                   | h3(mm)              |  |  |      |      |
| Max. Forks Height | h3+h13(mm)          |  |  |      |      |
|                   |                     |  |  |      |      |
| BSL14S-7          |                     |  |  |      |      |
| Single            |                     |  |  | 1945 | -    |
|                   |                     |  |  | 2295 | -    |
| STD               |                     |  |  | 1945 | 1400 |
|                   |                     |  |  | 2295 | 1750 |
| FFT               |                     |  |  | 1880 | 1370 |
|                   |                     |  |  | 1950 | 1440 |
|                   |                     |  |  | 2080 | 1570 |
|                   |                     |  |  | 2080 | 1770 |
| BSL16S-7          |                     |  |  |      |      |
| Single            |                     |  |  | 1945 | -    |
|                   |                     |  |  | 2295 | -    |
| STD               |                     |  |  | 1945 | 1400 |
|                   |                     |  |  | 2295 | 1750 |
| FFT               |                     |  |  | 1880 | 1370 |
|                   |                     |  |  | 1950 | 1440 |
|                   |                     |  |  | 2080 | 1570 |
|                   |                     |  |  | 2080 | 1770 |
| BSL20S-7          |                     |  |  |      |      |
| Single            |                     |  |  | 1990 | -    |
|                   |                     |  |  | 2340 | -    |
| FFT               |                     |  |  | 1950 | 1370 |
|                   |                     |  |  | 2085 | 1440 |
|                   |                     |  |  | 2225 | 1570 |
|                   |                     |  |  | 2370 | 1770 |

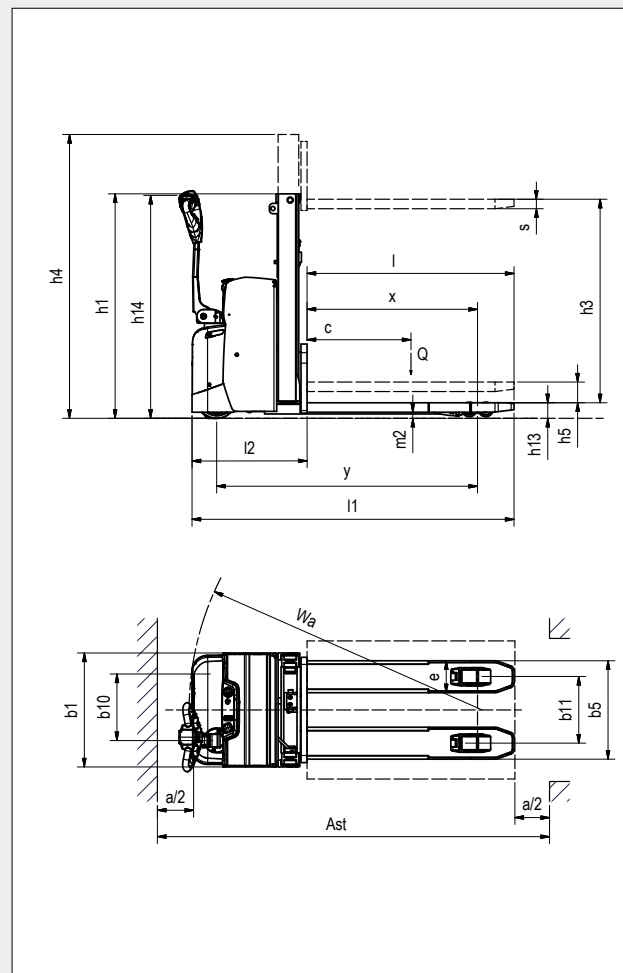




# Electric Walkie Double Stacker BDL13S-7 Premium

|                                       |  |           |        |                 |                 |
|---------------------------------------|--|-----------|--------|-----------------|-----------------|
| General                               | Model  |           |        | BDL13S-7        | BDL13S-7H       |
|                                       | Power  |           |        | AC Motor        | AC Motor        |
|                                       | Operator Type                                |           |        | Pedestrian      | Pedestrian      |
|                                       | Load Capacity / Rated Load                   | Q         | kg     | 1250/1800       | 1250/2000       |
|                                       | Load Center Distance                         | C         | mm     | 600             | 600             |
|                                       | Load Center Distance (LMC)                   | X         | mm     | 980             | 980             |
| Weight                                | Wheelbase                                    | y         | mm     | 1512            | 1512            |
|                                       | Service Weight inc. Battery                  |           | kg     | 830             | 830             |
|                                       | Axle loading, laden front/rear               |           | kg     | 1015/1615       | 1070/1760       |
| Tires                                 | Axle loading, unladen front/rear             |           | kg     | 615/215         | 615/215         |
|                                       | Tires  |           |        | Vulkollan       | Vulkollan       |
|                                       | Drive Wheel                                  |           | mm     | ø230 x 80       | ø230 x 80       |
|                                       | Load Wheel                                   |           | mm     | ø85 / 78        | ø85 / 78        |
|                                       | Caster Wheel                                 |           | mm     | ø125 x 50       | ø125 x 50       |
|                                       | Tread, Body (Caster Wheel - Caster Wheel)    | b11       | mm     | 375             | 375             |
| Tread, Fork (Load Wheel - Load Wheel) | b12  | mm        | 385    | 385             |                 |
| Dimensions                            | Lowered Mast Height                          | h1        | mm     | Mast Table      |                 |
|                                       | Free Lift                                    | h5        | mm     | 120             | 120             |
|                                       | Lift Height                                  | h3        | mm     | Mast Table      |                 |
|                                       | Height of tiller in drive position min./max. | h14       | mm     | 1260            | 1260            |
|                                       | Height, Lowered                              | h13       | mm     | 90              | 90              |
|                                       | Overall Length                               | l1        | mm     | 1860            | 1860            |
|                                       | Length to Face of Forks                      | l2        | mm     | 660             | 660             |
|                                       | Overall Width                                | b1        | mm     | 660             | 660             |
|                                       | Forks Dimensions                             | s / e / l | mm     | 55/185/1195     | 55/185/1195     |
|                                       | Width across Forks                           | b5        | mm     | 570             | 570             |
|                                       | Ground Clearance, Center of Wheelbase        | m2        | mm     | 35              | 35              |
|                                       | Aisle width for pallet 800 x 1200 lengthways | Ast       | mm     | 2325            | 2325            |
| Turning Radius                        | Wa   | mm        | 1670   | 1670            |                 |
| Performance                           | Travel Speed (Laden, Unladen)                |           | km/h   | 5.6             | 5.6             |
|                                       | Lifting Speed (Laden/Unladen)                |           | m/s    | 0.15/0.23       | 0.15/0.23       |
|                                       | Lowering Speed (Laden/Unladen)               |           | m/s    | 0.5/0.26        | 0.5/0.26        |
|                                       | Max Gradeability (Laden, Unladen)            |           | %      | 8/10            | 8/10            |
| Battery                               | Service Brake                                |           |        | Electromagnetic | Electromagnetic |
|                                       | Battery Type                                 |           |        | 2EPzS           | 2EPzS           |
|                                       | Battery Capacity                             | K5        | V / Ah | 24 / 230        | 24 / 230        |
|                                       | Battery Weight                               |           | kg     | 220             | 220             |

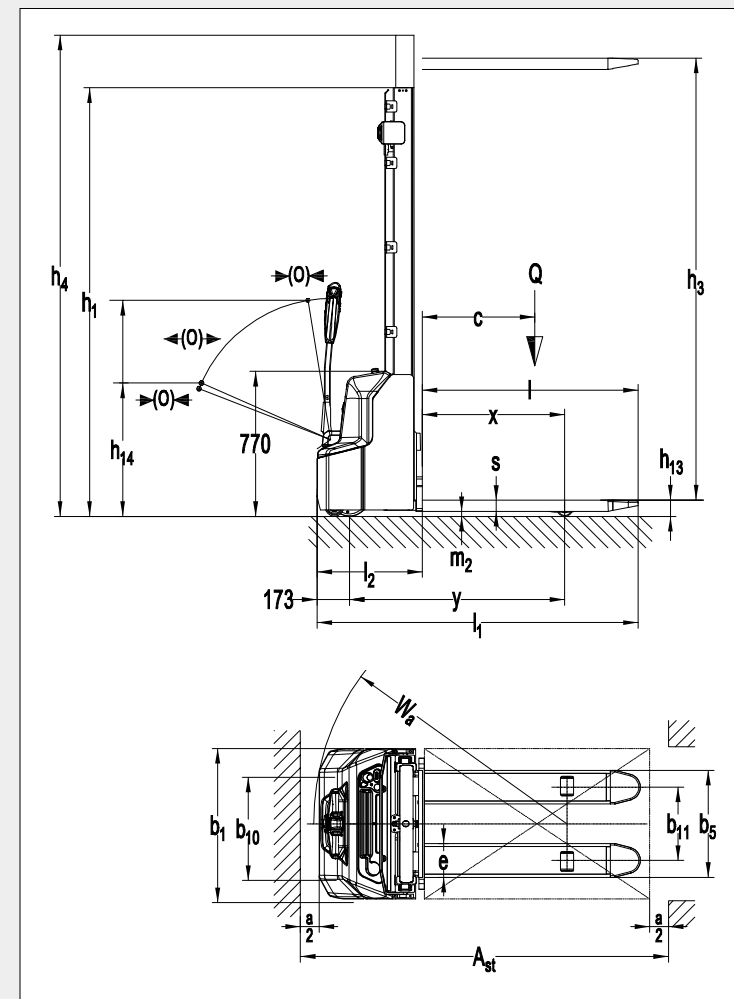
|                     |             |            |
|---------------------|-------------|------------|
| Lowered Mast Height | Lift Height | Rated Load |
| h1(mm)              | h3(mm)      |            |
| BDL13S-7, BDL13S-7H |             |            |
| 1260 (h12)          | 690         | 1250       |
| 1300                | 1790        | 1250       |
| 1450                | 2090        | 1000       |
| BDL13S-7            |             |            |
| 1650                | 2490        | 700        |



# Electric Walkie Stacker LSM12N Li-Ion

|                     |   |            |                   |
|---------------------|---|------------|-------------------|
| General             | 1.2 Model   |            | LSM12N            |
|                     | 1.3 Power   |            | DC Motor          |
|                     | 1.4 Operator type                                 |            | Pedestrian        |
|                     | 1.5 Load Capacity / rated load                    | Q(t)       | 1.2               |
|                     | 1.6 Load centre distance                          | c(mm)      | 600               |
|                     | 1.8 Load distance ,centre of drive axle to fork   | x(mm)      | 760               |
| Weight              | 1.9 Wheelbase                                     | y(mm)      | 1147              |
|                     | 2.1 Service weight                                | kg         | 585               |
|                     | 2.2 Axle loading, laden front/rear                | kg         | 560 / 1225        |
| Tires               | 2.3 Axle loading, unladen front/rear              | kg         | 440 / 145         |
|                     | 3.1 Tires   |            | Polyurethane (PU) |
|                     | 3.2 Tire size, front                              | Æ x w (mm) | Φ210 x 70         |
|                     | 3.3 Tire size, rear                               | Æ x w (mm) | Φ84 x 93          |
|                     | 3.4 Additional wheels(dimensions)                 | Æ x w (mm) | Φ100 x 50         |
|                     | 3.5 Wheels, number front/rear(x=driven wheels)    |            | 1x + 1 / 2        |
|                     | 3.6 Track, front                                  | b10 (mm)   | 550               |
| Dimensions          | 3.7 Track, rear                                   | b11 (mm)   | 400 / 515         |
|                     | 4.2 Lowered mast height                           | h1 (mm)    | 2280              |
|                     | 4.3 Free Lift height                              | h2 (mm)    | -                 |
|                     | 4.4 Lift height                                   | h3 (mm)    | 3514              |
|                     | 4.5 Extended mast height                          | h4 (mm)    | 4037              |
|                     | 4.9 Height of tiller in drive position min./ max. | h14 (mm)   | 710 / 1150        |
|                     | 4.15 Height, lowered                              | h13 (mm)   | 86                |
|                     | 4.19 Overall length                               | l1 (mm)    | 1710              |
|                     | 4.2 Length to face of forks                       | l2 (mm)    | 560               |
|                     | 4.21 Overall width                                | b1 (mm)    | 800               |
|                     | 4.22 Fork dimensions                              | s/e/l (mm) | 60 / 180 / 1150   |
|                     | 4.25 Width across forks                           | b5 (mm)    | 570 / 685         |
|                     | 4.32 Ground clearance, centre of wheelbase        | m2 (mm)    | 26                |
|                     | 4.33 Aisle width for pallets 1000X1200 crossways  | Ast (mm)   | 2197              |
|                     | 4.34 Aisle width for pallets 800X1200 lengthways  | Ast (mm)   | 2145              |
| 4.35 Turning radius | Wa (mm)   | 1350       |                   |
| Performance         | 5.1 Travel speed, laden/ unladen                  | Km/h       | 4.5 / 4.7         |
|                     | 5.2 Lift speed, laden/ unladen                    | m/s        | 0.12 / 0.19       |
|                     | 5.3 Lowering speed, laden/ unladen                | m/s        | 0.13 / 0.11       |
|                     | 5.8 Max. gradeability, laden/ unladen             | %          | 5 / 10            |
| Battery             | 5.1 Service brake                                 |            | Electromagnetic   |
|                     | 6.3 Battery type                                  |            | Li-ion (NMC)      |
|                     | 6.4 Battery voltage, nominal capacity K5          | V / Ah     | 24 / 60           |
|                     | 6.5 Battery weight                                | kg         | 19                |

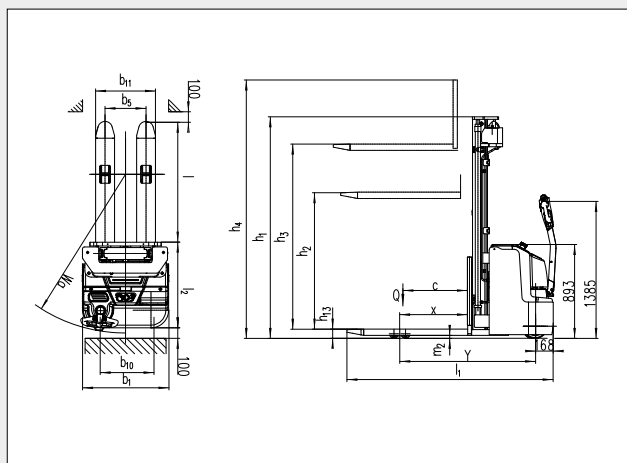
|                |                     |                  |             |                 |
|----------------|---------------------|------------------|-------------|-----------------|
| Type           | Lowered mast height | Free Lift height | Lift height | Max.Fork Height |
|                | h1(mm)              | h2(mm)           | h3(mm)      | h3+h13(mm)      |
| One stage mast | 1930                | 1514             | 1514        | 1600            |
|                | 2330                | 1914             | 1914        | 2000            |
| Two stage mast | 1930                | -                | 2814        | 2900            |
|                | 2080                | -                | 3114        | 3200            |
|                | 2280                | -                | 3514        | 3600            |



## Electric Walkie Stacker BSL12/16N

| General                          | Model  |  | BSL12N (3600) | BSL12N (4600)     | BSL16N (4600)      |                    |                    |
|----------------------------------|--|--|---------------|-------------------|--------------------|--------------------|--------------------|
|                                  | Power  |  | AC Motor      | AC Motor          | AC Motor           |                    |                    |
|                                  | Operator Type                                |  | Pedestrian    | Pedestrian        | Pedestrian         |                    |                    |
|                                  | Load Capacity / Rated Load                   |  | Q             | kg                | 1200               | 1200               | 1600               |
|                                  | Load Center Distance                         |  | C             | mm                | 600                | 600                | 600                |
|                                  | Load Center Distance (LMC)                   |  | X             | mm                | 647                | 637                | 647                |
| Weight                           | Wheelbase                                    |  | y             | mm                | 1248               | 1248               | 1293               |
|                                  | Service Weight inc. Battery                  |  |               | kg                | 1007               | 1150               | 1340               |
|                                  | Axle loading, laden front/rear               |  |               | kg                | 684/1523           | 735/1610           | 930/2010           |
| Axle loading, unladen front/rear |  |  | kg            | 610/397           | 720/430            | 850/490            |                    |
| Tires                            | Tires  |  |               | Polyurethane (PU) | Polyurethane (PU)  | Polyurethane (PU)  |                    |
|                                  | Drive Wheel                                  |  |               | mm                | 230x70             | 230x70             | 230x70             |
|                                  | Load Wheel                                   |  |               | mm                | 84x70              | 84x70              | 84x70              |
|                                  | Caster Wheel                                 |  |               | mm                | 150x54             | 150x54             | 150x54             |
|                                  | Tread, Body (Caster Wheel - Caster Wheel)    |  | b10           | mm                | 522                | 522                | 522                |
|                                  | Tread, Fork (Load Wheel - Load Wheel)        |  | b11           | mm                | 390/505            | 390/505            | 390/505            |
| Dimensions                       | Lowered Mast Height                          |  | h1            | mm                | 2308               | 2108               | 2108               |
|                                  | Free Lift                                    |  | h2            | mm                | 1760               | 1520               | 1520               |
|                                  | Lift Height                                  |  | h3            | mm                | 3530               | 4530               | 4530               |
|                                  | Extended Mast Height                         |  | h4            | mm                | 4088               | 5088               | 5088               |
|                                  | Height of tiller in drive position min./max. |  | h14           | mm                | Min. 850/Max. 1385 | Min. 850/Max. 1385 | Min. 850/Max. 1385 |
|                                  | Height, Lowered                              |  | h13           | mm                | 90                 | 90                 | 90                 |
|                                  | Overall Length                               |  | l1            | mm                | 1919               | 1929               | 1964               |
|                                  | Length to Face of Forks                      |  | l2            | mm                | 769                | 779                | 814                |
|                                  | Overall Width                                |  | b1/b2         | mm                | 820                | 820                | 820                |
|                                  | Forks Dimensions                             |  | s / e / l     | mm                | 60/180/1150        | 60/180/1150        | 60/180/1150        |
|                                  | Width across Forks                           |  | b5            | mm                | 570/685            | 570/685            | 570/685            |
|                                  | Ground Clearance, Center of Wheelbase        |  | m2            | mm                | 28                 | 28                 | 28                 |
|                                  | Aisle width for pallet 800 x 1200 lengthways |  | Ast           | mm                | 2323               | 2323               | 2393               |
|                                  | Aisle width for pallet 1000 x 1200 crossways |  | Ast           | mm                | 2336               | 2336               | 2406               |
|                                  | Turning Radius                               |  | Wa            | mm                | 1440               | 1440               | 1510               |
| Performance                      | Travel Speed (Laden, Unladen)                |  |               | km/h              | 6,0/6,0            | 6,0/6,0            | 5,7/6,0            |
|                                  | Lifting Speed (Laden/Unladen)                |  |               | m/s               | 0,09/0,14          | 0,13/0,20          | 0,13/0,20          |
|                                  | Lowering Speed (Laden/Unladen)               |  |               | m/s               | 0,25/0,20          | 0,28/0,23          | 0,28/0,23          |
|                                  | Max Greadeability (Laden, Unladen)           |  |               | %                 | 6/12               | 6/12               | 6/12               |
|                                  | Service Brake                                |  |               |                   | Electromagnetic    | Electromagnetic    | Electromagnetic    |
| Battery                          | Battery Type                                 |  |               |                   | 2VBS               | 2VBS               | 3VBS               |
|                                  | Battery Capacity                             |  | K5            | V / Ah            | 24 / 180           | 24 / 180           | 24 / 270           |
|                                  | Battery Weight                               |  |               | kg                | 175                | 175                | 230                |

| Mast   | Lowered Mast Height | Free Lift | Lift Height | Extended Mast Height | Max. Forks Height |
|--------|---------------------|-----------|-------------|----------------------|-------------------|
|        | h1 (mm)             | h2(mm)    | h3(mm)      | h4(mm)               | h3+h13(mm)        |
|        | BSL12N              |           |             |                      |                   |
| STD    | 1958                | —         | 2830        | 3380                 | 2920              |
|        | 2108                | —         | 3130        | 3680                 | 3220              |
|        | 2308                | —         | 3530        | 4080                 | 3620              |
| FFL    | 1958                | 1410      | 2830        | 3380                 | 2920              |
|        | 2108                | 1560      | 3130        | 3680                 | 3220              |
|        | 2308                | 1760      | 3530        | 4080                 | 3620              |
| FFT    | 2008                | 1420      | 4230        | 4780                 | 4320              |
|        | 2108                | 1520      | 4530        | 5080                 | 4620              |
| BSL16N |                     |           |             |                      |                   |
| STD    | 1958                | —         | 2830        | 3380                 | 2920              |
|        | 2108                | —         | 3130        | 3680                 | 3220              |
|        | 2308                | —         | 3530        | 4080                 | 3620              |
| FFL    | 1958                | 1410      | 2830        | 3380                 | 2920              |
|        | 2108                | 1560      | 3130        | 3680                 | 3220              |
|        | 2308                | 1760      | 3530        | 4080                 | 3620              |
| FFT    | 1708                | 1120      | 3330        | 3880                 | 3420              |
|        | 1908                | 1320      | 3930        | 4480                 | 4020              |
|        | 2008                | 1420      | 4230        | 4780                 | 4320              |
|        | 2108                | 1520      | 4530        | 5080                 | 4620              |
|        | 2343                | 1756      | 5230        | 5780                 | 5320              |
|        | 2408                | 1820      | 5430        | 5980                 | 5520              |



## Electric Walkie Straddle Stacker BSM12/16/18NL

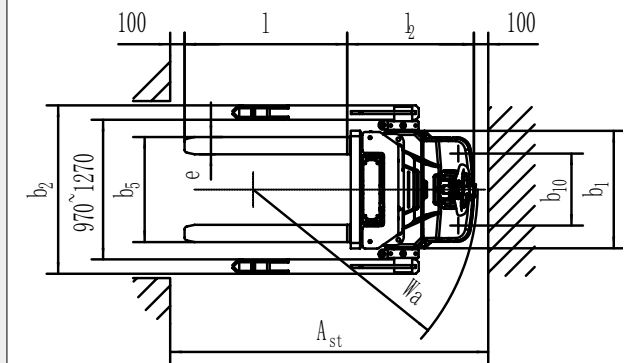
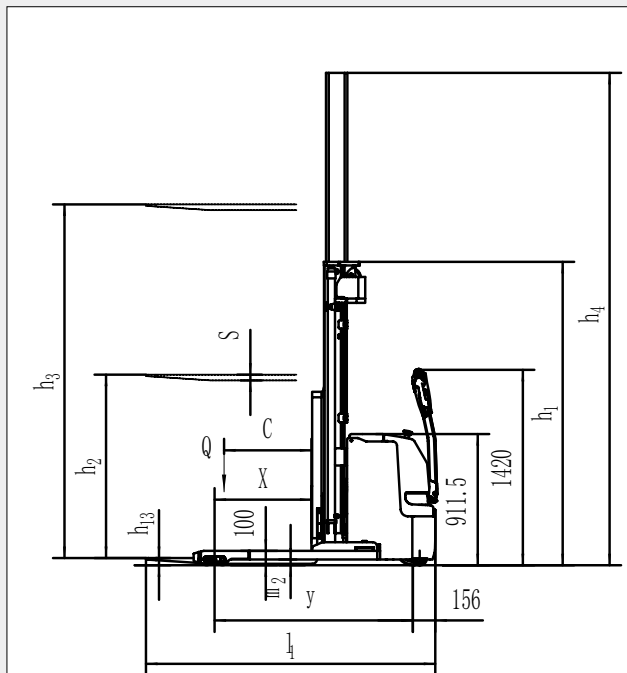
| General                          | Model  |  | BSM12NL    | BSM16NL           | BSM18NL              |                      |                      |
|----------------------------------|--|--|------------|-------------------|----------------------|----------------------|----------------------|
|                                  | Power  |  | AC Motor   | AC Motor          | AC Motor             |                      |                      |
|                                  | Operator Type                                |  | Pedestrian | Pedestrian        | Pedestrian           |                      |                      |
|                                  | Load Capacity / Rated Load                   |  | Q          | kg                | 1200                 | 1600                 | 1800                 |
|                                  | Load Center Distance                         |  | C          | mm                | 600                  | 600 <sup>1)</sup>    | 600                  |
|                                  | Load Center Distance (LMC)                   |  | X          | mm                | 647                  | 664 <sup>2)</sup>    | 647 <sup>2)</sup>    |
| Weight                           | Wheelbase                                    |  | y          | mm                | 1331                 | 1378                 | 1378                 |
|                                  | Service Weight inc. Battery                  |  |            | kg                | 1190                 | 1480                 | 1560                 |
|                                  | Axle loading, laden front/rear               |  |            | kg                | 774/1598             | 827/2253             | 892/2378             |
| Axle loading, unladen front/rear |  |  | kg         | 796/394           | 864/616              | 924/636              |                      |
| Tires                            | Tires  |  |            | Polyurethane (PU) | Polyurethane (PU)    | Polyurethane (PU)    |                      |
|                                  | Drive Wheel                                  |  |            | mm                | 230x70               | 230x70               | 230x70               |
|                                  | Load Wheel                                   |  |            | mm                | 84x70                | 84x70                | 84x70                |
|                                  | Caster Wheel                                 |  |            | mm                | 100x40               | 100x40               | 100x40               |
|                                  | Tread, Body (Caster Wheel - Caster Wheel)    |  | b10        | mm                | 500                  | 500                  | 500                  |
|                                  | Tread, Fork (Load Wheel - Load Wheel)        |  | b11        | mm                | -                    | -                    | -                    |
| Dimensions                       | Lowered Mast Height                          |  | h1         | mm                | Mast Table           |                      |                      |
|                                  | Free Lift                                    |  | h2         | mm                | 2308                 | 2108                 | 2228                 |
|                                  | Lift Height                                  |  | h3         | mm                | 1760                 | 1520                 | 1520                 |
|                                  | Extended Mast Height                         |  | h4         | mm                | 3560                 | 4530                 | 4530                 |
|                                  | Height of tiller in drive position min./max. |  | h14        | mm                | Min. 890 / Max. 1420 | Min. 890 / Max. 1420 | Min. 890 / Max. 1420 |
|                                  | Height, Lowered                              |  | h13        | mm                | 50                   | 50                   | 50                   |
|                                  | Overall Length                               |  | l1         | mm                | 1990                 | 2075                 | 2092                 |
|                                  | Length to Face of Forks                      |  | l2         | mm                | 840                  | 925                  | 942                  |
|                                  | Overall Width                                |  | b1/b2      | mm                | 816/1170-1470        | 816/1170-1470        | 816/1170-1470        |
|                                  | Forks Dimensions                             |  | s / e / l  | mm                | 35x100x1150          | 40x120x115           | 40x120x115           |
|                                  | Width across Forks                           |  | b5         | mm                | 235-710              | 255-730              | 255-730              |
|                                  | Ground Clearance, Center of Wheelbase        |  | m2         | mm                | 40                   | 40                   | 40                   |
|                                  | Aisle width for pallet 800 x 1200 lengthways |  | Ast        | mm                | 2382                 | 2418                 | 2432                 |
|                                  | Aisle width for pallet 1000 x 1200 crossways |  | Ast        | mm                | 2396                 | 2437                 | 2446                 |
|                                  | Turning Radius                               |  | Wa         | mm                | 1500                 | 1550                 | 1550                 |
| Performance                      | Travel Speed (Laden, Unladen)                |  |            | km/h              | 5,4/6,0              | 5,4/6,0              | 5,4/6,0              |
|                                  | Lifting Speed (Laden/Unladen)                |  |            | m/s               | 0,09/0,14            | 0,13/0,18            | 0,13/0,18            |
|                                  | Lowering Speed (Laden/Unladen)               |  |            | m/s               | 0,25/0,2             | 0,20/0,14            | 0,20/0,14            |
|                                  | Max Greadeability (Laden, Unladen)           |  |            | %                 | 6/12                 |                      |                      |
|                                  | Service Brake                                |  |            |                   | Electromagnetic      |                      |                      |
| Battery                          | Battery Type                                 |  |            |                   | 2PZB                 | 3VBS                 | 3VBS                 |
|                                  | Battery Capacity                             |  | K5         | V / Ah            | 24 / 180             | 24 / 270             | 24 / 270             |
|                                  | Battery Weight                               |  |            | kg                | 175                  | 230                  | 230                  |

1) With Sideshifter, Load Center Distance: 500mm

2) With Sideshifter, Load Center Distance: - 55mm

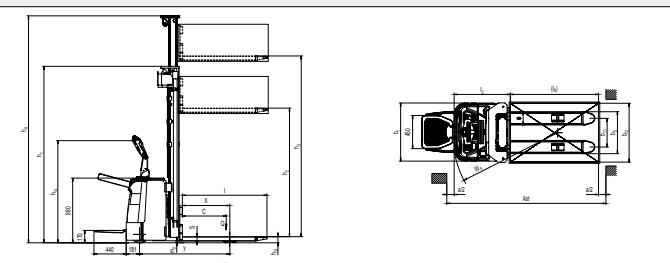
# Electric Platform Stacker BSR12/16/20N

| Mast    | Lowered Mast Height | Free Lift | Lift Height | Extended Mast Height | Max. Forks Height |
|---------|---------------------|-----------|-------------|----------------------|-------------------|
|         | h1 (mm)             | h2 (mm)   | h3 (mm)     | h4 (mm)              | h3+h13 (mm)       |
| BSM12NL |                     |           |             |                      |                   |
| STD     | 1958                | -         | 2830        | 3380                 | 2880              |
|         | 2108                | -         | 3130        | 3680                 | 3180              |
|         | 2308                | -         | 3530        | 4080                 | 3580              |
| FFL     | 1958                | 1410      | 2830        | 3380                 | 2880              |
|         | 2108                | 1560      | 3130        | 3680                 | 3180              |
|         | 2308                | 1760      | 3530        | 4080                 | 3580              |
| BSM16NL |                     |           |             |                      |                   |
| STD     | 1958                | —         | 2830        | 3380                 | 2880              |
|         | 2108                | —         | 3130        | 3680                 | 3180              |
|         | 2308                | —         | 3530        | 4080                 | 3580              |
| FFL     | 1958                | 1410      | 2830        | 3380                 | 2880              |
|         | 2108                | 1560      | 3130        | 3680                 | 3180              |
|         | 2308                | 1760      | 3530        | 4080                 | 3580              |
| FFT     | 1908                | 1320      | 3930        | 4480                 | 3980              |
|         | 2008                | 1420      | 4230        | 4780                 | 4280              |
|         | 2108                | 1520      | 4530        | 5080                 | 4580              |
|         | 2343                | 1756      | 5230        | 5780                 | 5280              |
| BSM18NL |                     |           |             |                      |                   |
| STD     | 2078                | —         | 2830        | 3500                 | 2880              |
|         | 2228                | —         | 3130        | 3800                 | 3180              |
|         | 2428                | —         | 3530        | 4200                 | 3580              |
| FFL     | 1978                | 1310      | 2630        | 3300                 | 2680              |
|         | 2078                | 1410      | 2830        | 3500                 | 2880              |
|         | 2228                | 1560      | 3130        | 3800                 | 3180              |
|         | 2428                | 1760      | 3530        | 4200                 | 3580              |
| FFT     | 1978                | 1310      | 3930        | 4600                 | 3980              |
|         | 2128                | 1420      | 4230        | 4900                 | 4280              |
|         | 2228                | 1520      | 4530        | 5200                 | 4580              |



| General  |           |        | BSR12N              | BSR16N              | BSR20N              |                 |
|--|-----------|--------|---------------------|---------------------|---------------------|-----------------|
|  | Model     |        |                     | BSR12N              | BSR16N              | BSR20N          |
| Drive  |           |        | AC Motor            | AC Motor            | AC Motor            |                 |
| Operator type  |           |        | Pedestrian/Standing | Pedestrian/Standing | Pedestrian/Standing |                 |
| Load capacity  | Q         | t      | 1.6                 | 1.6                 | 1.6                 |                 |
| Load centre distance   | C         | mm     | 600                 | 600                 | 600                 |                 |
| Load distance  | X         | mm     | 647                 | 647                 | 647                 |                 |
| Wheelbase  | y         | mm     | 1167                | 1215                | 1327                |                 |
| Service weight, incl. Battery                                  |           |        | kg                  | 1080                | 1380                | 1620            |
| Axle loading, laden front/rear                                 |           |        | kg                  | 860/1420            | 1040 / 1940         | 1210/2410       |
| Axle loading, unladen front/rear                               |           |        | kg                  | 780/320             | 940 / 440           | 1090/540        |
| Tyres  |           |        | Polyurethane (PU)   | Polyurethane (PU)   | Polyurethane (PU)   |                 |
| Drive Wheel  |           |        | mm                  | 230x70              | 230x70              | 230x70          |
| Load Wheel   |           |        | mm                  | 85x75               | 85x75               | 85x75           |
| Support Wheel  |           |        | mm                  | 150x54              | 150x54              | 150x54          |
| Tread, Body (Caster Wheel - Caster Wheel)                      |           |        | mm                  | 510                 | 510                 | 510             |
| Tread, Fork (Load Wheel - Load Wheel)                          |           |        | mm                  | 390 / 505           | 390 / 505           | 390 / 505       |
| Lowered mast height  | h1        | mm     | Mast Table          |                     |                     |                 |
| Lift Height  | h3        | mm     | Mast Table          |                     |                     |                 |
| Height of Tiller in drive position (min/max)                   | h14       | mm     | 950 / 1350          | 950 / 1350          | 950 / 1350          |                 |
| Height, lowered  | h13       | mm     | 90                  | 90                  | 90                  |                 |
| Overall length <sup>1)</sup>                                   | l1        | mm     | 1855 + 440          | 1896 + 440          | 2025 + 440          |                 |
| Length to face of forks <sup>1)</sup>                          | l2        | mm     | 705 + 440           | 746 + 440           | 875 + 440           |                 |
| Overall width  | b1        | mm     | 790                 | 790                 | 790                 |                 |
| Fork dimensions  | s / e / l | mm     | 60/180/1150         | 60/180/1150         | 60/180/1150         |                 |
| Distance between fork-arms                                     | b5        | mm     | 570/685             | 570/685             | 570/685             |                 |
| Groundclearance, centre of wheelbase                           | m2        | mm     | 28                  | 28                  | 28                  |                 |
| Aisle width for pallets, 1000x1200mm, Lengthways <sup>1)</sup> | Ast       | mm     | 2285                | 2325                | 2455                |                 |
| Aisle width for pallets, 1000x1200mm, Crossways <sup>1)</sup>  | Ast       | mm     | 2250                | 2290                | 1420                |                 |
| Turning radius <sup>1)</sup>                                   | Wa        | mm     | 1380                | 1420                | 1550                |                 |
| Travel speed, laden / unladen                                  |           |        | km/h                | 7.0 / 8.0           | 6.0 / 7.0           | 6.0 / 7.0       |
| Lifting Speed, laden / unladen                                 |           |        | m/s                 | 0.09 / 0.14         | 0.13 / 0.20         | 0.13 / 0.20     |
| Lowering speed, laden / unladen                                |           |        | m/s                 | 0.25 / 0.20         | 0.28 / 0.23         | 0.28 / 0.23     |
| Gradeability, laden / unladen                                  |           |        | %                   | 6 / 12              | 6 / 12              | 6 / 10          |
| Service brake  |           |        |                     | Electromagnetic     | Electromagnetic     | Electromagnetic |
| AC - Drive motor rating S2 60min                               |           |        | kW                  | 1.4                 | 1.4                 | 1.4             |
| DC - Lift motor rating S3 10%                                  |           |        | kW                  | 1.5                 | 3.2                 | 3.2             |
| Battery acc. to DIN 43535 A / B / C / no                       |           |        |                     | 2VBS                | 3VBS                | 3Pzs            |
| Battery voltage / nominal capacity                             | K5        | V / Ah | 24 / 180            | 24 / 270            | 24 / 350            |                 |
| Battery weight   |           |        | kg                  | 175                 | 230                 | 288             |

| Mast   | Lowered Mast height | Free Lift height | Lift height | Extended Mast height | Max. Forks Height |
|--------|---------------------|------------------|-------------|----------------------|-------------------|
|        | h1 (mm)             | h2 (mm)          | h3 (mm)     | h4 (mm)              | h3+h13 (mm)       |
| BSR12N |                     |                  |             |                      |                   |
| STD    | 1958                | -                | 2830        | 3380                 | 2920              |
|        | 2108                | -                | 3130        | 3680                 | 3220              |
|        | 2308                | -                | 3530        | 4080                 | 3620              |
| FFL    | 1958                | 1410             | 2830        | 3380                 | 2920              |
|        | 2108                | 1560             | 3130        | 3680                 | 3220              |
|        | 2308                | 1760             | 3530        | 4080                 | 3620              |
| BSR16N |                     |                  |             |                      |                   |
| STD    | 1958                | -                | 2830        | 3380                 | 2920              |
|        | 2108                | -                | 3130        | 3680                 | 3220              |
|        | 2308                | -                | 3530        | 4080                 | 3620              |
| FFL    | 1958                | 1410             | 2830        | 3380                 | 2920              |
|        | 2108                | 1560             | 3130        | 3680                 | 3220              |
|        | 2308                | 1760             | 3530        | 4080                 | 3620              |
| FFT    | 1708                | 1120             | 3330        | 3880                 | 3420              |
|        | 1908                | 1320             | 3930        | 4480                 | 4020              |
|        | 2008                | 1420             | 4230        | 4780                 | 4320              |
|        | 2108                | 1520             | 4530        | 5080                 | 4620              |
|        | 2343                | 1756             | 5230        | 5780                 | 5320              |
| 2410   | 1800                | 5430             | 6110        | 5520                 |                   |
| BSR20N |                     |                  |             |                      |                   |
| STD    | 2078                | -                | 2830        | 3500                 | 2920              |
|        | 2228                | -                | 3130        | 3800                 | 3220              |
|        | 2428                | -                | 3530        | 4200                 | 3620              |
| FFL    | 1978                | 1310             | 2630        | 3300                 | 2720              |
|        | 2078                | 1410             | 2830        | 3500                 | 2920              |
|        | 2228                | 1560             | 3130        | 3800                 | 3220              |
|        | 2428                | 1760             | 3530        | 4200                 | 3620              |
| FFT    | 1978                | 1310             | 3930        | 4600                 | 4020              |
|        | 2128                | 1420             | 4230        | 4900                 | 4320              |
|        | 2228                | 1520             | 4530        | 5200                 | 4620              |



1) With compact platform: + 440 mm

## Reach Stacker



**Platform Reach Stacker  
Mast Moving Type**

■ 1.3T-1.5T  
⚡ 24V  
BSR13/15NR



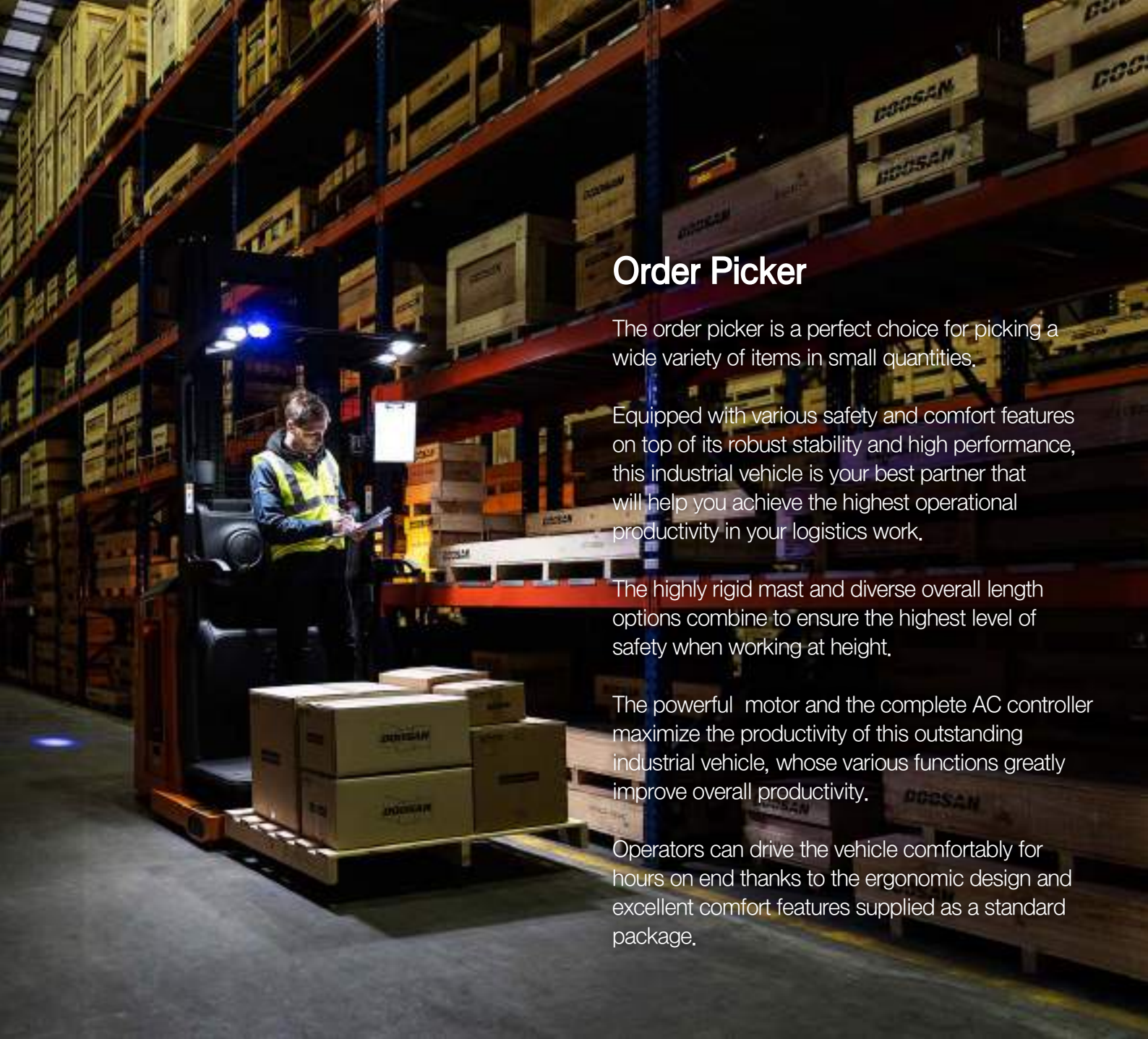
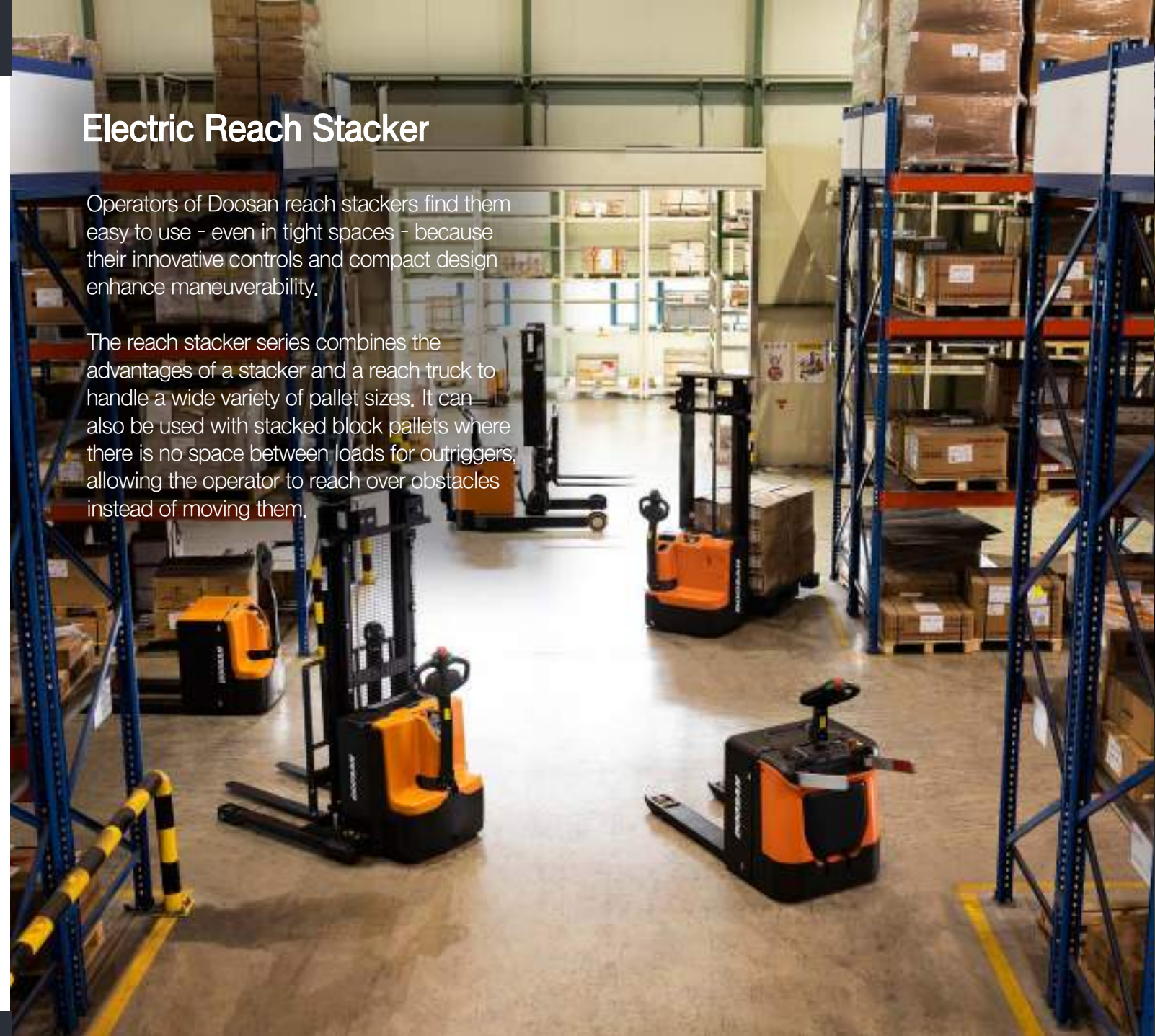
**Platform Reach Stacker  
Pantograph Type**

■ 1.4T  
⚡ 24V  
BSR14NP

## Electric Reach Stacker

Operators of Doosan reach stackers find them easy to use - even in tight spaces - because their innovative controls and compact design enhance maneuverability.

The reach stacker series combines the advantages of a stacker and a reach truck to handle a wide variety of pallet sizes. It can also be used with stacked block pallets where there is no space between loads for outriggers, allowing the operator to reach over obstacles instead of moving them.



## Order Picker

The order picker is a perfect choice for picking a wide variety of items in small quantities.

Equipped with various safety and comfort features on top of its robust stability and high performance, this industrial vehicle is your best partner that will help you achieve the highest operational productivity in your logistics work.

The highly rigid mast and diverse overall length options combine to ensure the highest level of safety when working at height.

The powerful motor and the complete AC controller maximize the productivity of this outstanding industrial vehicle, whose various functions greatly improve overall productivity.

Operators can drive the vehicle comfortably for hours on end thanks to the ergonomic design and excellent comfort features supplied as a standard package.

## Order Picker



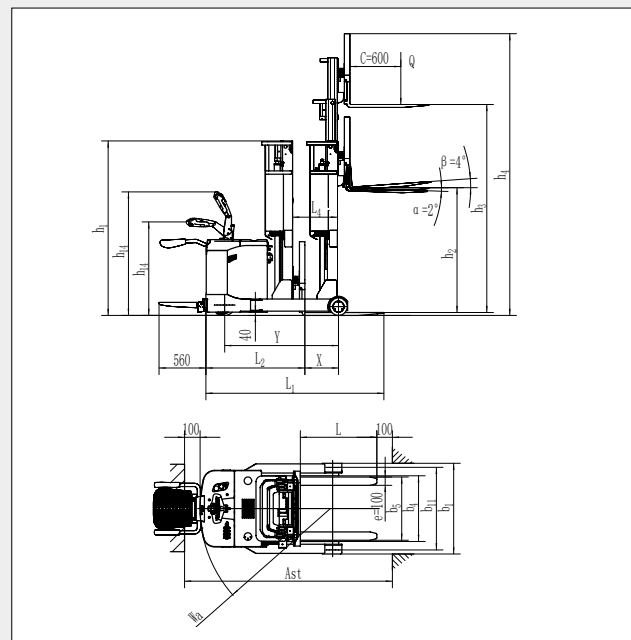
**High Level Order Picker**

■ 1.5T  
⚡ 24V  
BOP15S-9

## Electric Platform Reach Stacker, Mast Moving Type BSR13/15NR

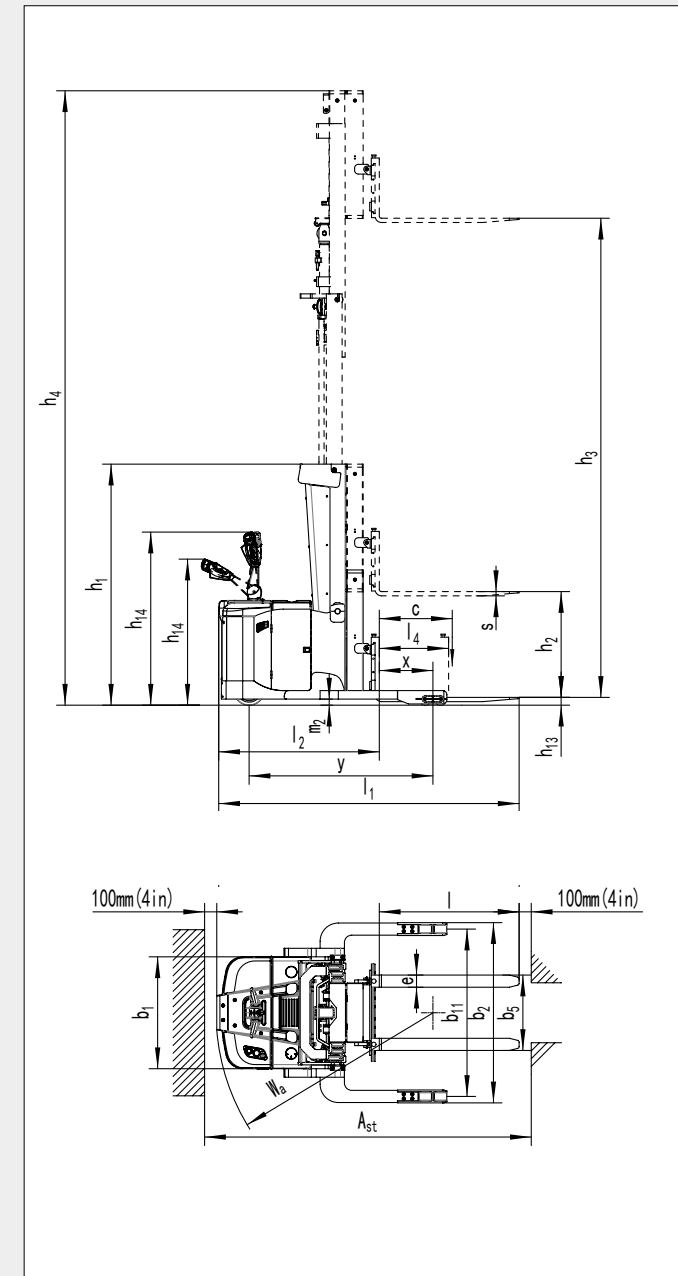
| General                                      | Model  |                  | BSR13NR           |                    |                       | BSR15NR           |                    |                       |                  |      |
|--|--|------------------|-------------------|--------------------|-----------------------|-------------------|--------------------|-----------------------|------------------|------|
|  | Power  |                  | AC Motor          |                    |                       | AC Motor          |                    |                       |                  |      |
|  | Operator Type                                |                  | Pedestrian        |                    |                       | Pedestrian        |                    |                       |                  |      |
|  | Load Capacity / Rated Load                   | Q                | kg                | 1300               |                       |                   | 1500               |                       |                  |      |
|  | Load Center Distance                         | C                | mm                | 600                |                       |                   | 600                |                       |                  |      |
|  | Load Center Distance (LMC)                   | X                | mm                | 415                |                       |                   | 485                |                       |                  |      |
| Wheelbase                                    | y  | mm               | 1350              |                    |                       | 1500              |                    |                       |                  |      |
| Service Weight inc. Battery                  |  |                  | kg                | 1750               | 1900                  | 2200              | 1800               | 1950                  | 2250             |      |
| Tires  | Tires  |                  | Polyurethane (PU) |                    |                       | Polyurethane (PU) |                    |                       |                  |      |
|  | Drive Wheel                                  |                  | mm                | 250×82             |                       |                   | 250×82             |                       |                  |      |
|  | Load Wheel                                   |                  | mm                | 210×85             |                       |                   | 230×100            |                       |                  |      |
|  | Caster Wheel                                 |                  | mm                | 124×60             |                       |                   | 124×60             |                       |                  |      |
|  | Tread, Body (Caster Wheel - Caster Wheel)    |                  | b10               | mm                 | 680                   |                   |                    | 680                   |                  |      |
|  | Tread, Fork (Load Wheel - Load Wheel)        |                  | b11               | mm                 | 1085                  |                   |                    | 1085                  |                  |      |
| Dimensions                                   | Lowered Mast Height                          |                  | h1                | mm                 | 2196                  | 2096              | 2196               | 2196                  | 2096             | 2196 |
|  | Free Lift                                    |                  | h2                | mm                 | 1600                  | -                 | 1600               | 1600                  | -                | 1600 |
|  | Lift Height                                  |                  | h3                | mm                 | 1600                  | 3000              | 4800               | 1600                  | 3000             | 4800 |
|  | Extended Mast Height                         |                  | h4                | mm                 | 2485                  | 3885              | 5685               | 2485                  | 3885             | 5685 |
|  | Tilt of fork carriage forward/backward       |                  | $\alpha/\beta$    | °                  | 2/4                   |                   |                    | 2/4                   |                  |      |
|  | Height of tiller in drive position min./max. |                  | h14               | mm                 | Min. 1030 / Max. 1415 |                   |                    | Min. 1030 / Max. 1415 |                  |      |
|  | Height, Lowered                              |                  | h13               | mm                 | 50                    |                   |                    | 50                    |                  |      |
|  | Overall Length                               |                  | l1                | mm                 | 2080 <sup>1)</sup>    |                   |                    | 2160 <sup>1)</sup>    |                  |      |
|  | Reach Stroke                                 |                  | l4                | mm                 | 545                   |                   |                    | 630                   |                  |      |
|  | Length to Face of Forks                      |                  | l2                | mm                 | 1160 <sup>1)</sup>    |                   |                    | 1240 <sup>1)</sup>    |                  |      |
|  | Overall Width                                |                  | b1                | mm                 | 1180                  |                   |                    | 1184                  |                  |      |
|  | Performance                                  | Forks Dimensions |                   | s/e/l              | mm                    | 35/100/920(1070)  |                    |                       | 35/100/920(1070) |      |
| Distance between wheel arms/loading surfaces |  | b4               | mm                | 880                |                       |                   | 880                |                       |                  |      |
| Width across Forks                           |  | b5               | mm                | 220-760            |                       |                   | 220-760            |                       |                  |      |
| Ground Clearance, Center of Wheelbase        |  | m2               | mm                | 40                 |                       |                   | 40                 |                       |                  |      |
| Aisle width for pallet 800 x 1200 lengthways |  | Ast              | mm                | 2650 <sup>1)</sup> |                       |                   | 2740 <sup>1)</sup> |                       |                  |      |
| Aisle width for pallet 1000 x 1200 crossways |  | Ast              | mm                | 2600 <sup>1)</sup> |                       |                   | 2710 <sup>1)</sup> |                       |                  |      |
| Turning Radius                               |  | Wa               | mm                | 1570               |                       |                   | 1720               |                       |                  |      |
| Travel Speed (Laden, Unladen)                |  |                  | km/h              | 5,5/6,0-8,0/8,0    |                       |                   | 5,5/6,0-8,0/8,0    |                       |                  |      |
| Lifting Speed (Laden/Unladen)                |  |                  | m/s               | 0,085/0,122        | 0,085/0,122           | 0,11/0,165        | 0,11/0,165         | 0,11/0,165            | 0,11/0,165       |      |
| Lowering Speed (Laden/Unladen)               |  |                  | m/s               | 0,125/0,08         | 0,125/0,08            | 0,11/0,10         | 0,11/0,10          | 0,11/0,10             | 0,11/0,10        |      |
| Max Gradeability (Laden, Unladen)            |  |                  | %                 | 5/8                |                       |                   | 5/8                |                       |                  |      |
| Service Brake                                |  |                  |                   | Electromagnetic    |                       |                   | Electromagnetic    |                       |                  |      |
| Battery                                      | Battery Type                                 |                  |                   | 3PzS               | 3PzS                  | 4PzS              | 3PzS               | 3PzS                  | 4PzS             |      |
|  | Battery Capacity                             |                  | V / Ah            | 24 / 270           | 24 / 270              | 24 / 400          | 24 / 270           | 24 / 270              | 24 / 400         |      |
|  | Battery Weight                               |                  | kg                | 251                | 251                   | 372               | 251                | 251                   | 372              |      |

| Mast    | Lowered Mast Height | Free Lift | Lift Height | Extended Mast Height |
|---------|---------------------|-----------|-------------|----------------------|
|         | h1 (mm)             | h2(mm)    | h3(mm)      | h4(mm)               |
| BSR13NR |                     |           |             |                      |
| Single  | 1796                | 1200      | 1200        | 2085                 |
|         | 2196                | 1600      | 1600        | 2485                 |
|         | 2396                | 1800      | 1800        | 2685                 |
| STD     | 1796                | -         | 2400        | 3285                 |
|         | 2096                |           | 3000        | 3885                 |
| FFT     | 1796                | 1200      | 3600        | 4485                 |
|         | 2096                | 1500      | 4500        | 5295                 |
|         | 2196                | 1600      | 4800        | 5685                 |
| BSR15NR |                     |           |             |                      |
| Single  | 1796                | 1200      | 1200        | 2085                 |
|         | 2196                | 1600      | 1600        | 2485                 |
|         | 2396                | 1800      | 1800        | 2685                 |
| STD     | 1796                | -         | 2400        | 3285                 |
|         | 2096                |           | 3000        | 3885                 |
| FFT     | 1796                | 1200      | 3600        | 4485                 |
|         | 2096                | 1500      | 4500        | 5295                 |
|         | 2196                | 1600      | 4800        | 5685                 |



## Electric Platform Reach Stacker, Pantograp Type BSR14NP

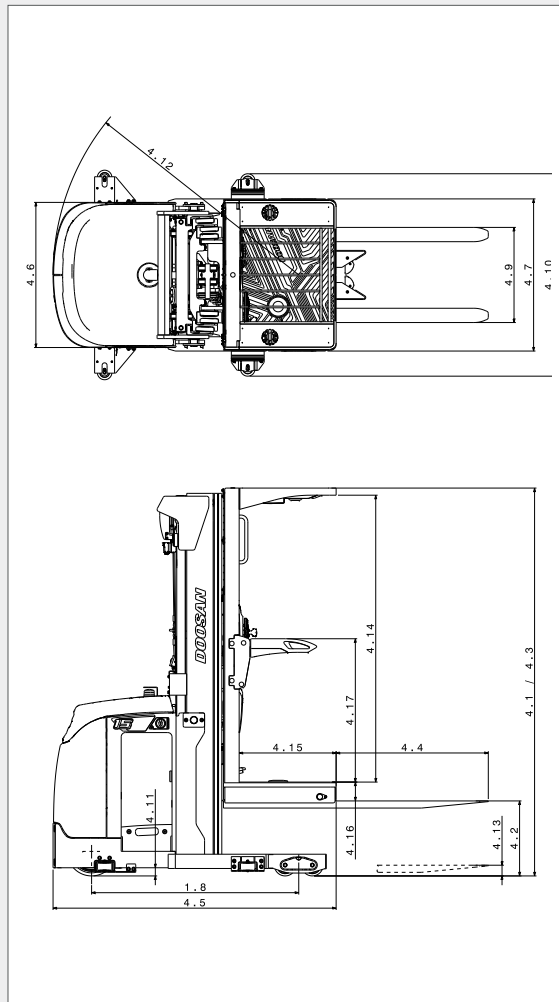
| General                                      | Model  |                     | BSR14NP           |                       |                 |      |           |      |      |      |      |
|--|--|---------------------|-------------------|-----------------------|-----------------|------|-----------|------|------|------|------|
|  | Power  |                     | AC Motor          |                       |                 |      |           |      |      |      |      |
|  | Operator Type                                    |                     | Pedestrian        |                       |                 |      |           |      |      |      |      |
|  | Load Capacity / Rated Load                       | Q                   | kg                | 1400                  |                 |      |           |      |      |      |      |
|  | Load Center Distance                             | C                   | mm                | 600                   |                 |      |           |      |      |      |      |
|  | Load Center Distance (LMC)                       | X                   | mm                | 410                   |                 | 441  |           |      |      |      |      |
| Wheelbase                                    | y  | mm                  | 1512              |                       |                 |      |           |      |      |      |      |
| Weight                                       | Service weight, incl. Battery                    |                     | kg                | 2300                  |                 |      | 2300      |      |      |      |      |
|  | Axle loading, laden front/rear                   |                     | kg                | 1470/830              |                 |      | 1470/830  |      |      |      |      |
|  | Axle loading, Fork Advanced, unladen front/rear  |                     | kg                | 675/3025              |                 |      | 675/3025  |      |      |      |      |
|  | Axle loading, Fork retracted, unladen front/rear |                     | kg                | 1280/2420             |                 |      | 1280/2420 |      |      |      |      |
| Tires  | Tires  |                     | Polyurethane (PU) |                       |                 |      |           |      |      |      |      |
|  | Drive Wheel                                      |                     | mm                | 254 × 82              |                 |      |           |      |      |      |      |
|  | Load Wheel                                       |                     | mm                | 102 × 70              |                 |      |           |      |      |      |      |
|  | Tread, Body (Caster Wheel - Caster Wheel)        |                     | b10               | mm                    | -               |      |           |      |      |      |      |
|  | Tread, Fork (Load Wheel - Load Wheel)            |                     | b11               | mm                    | 971-1376        |      |           |      |      |      |      |
|  | Dimensions                                       | Lowered Mast Height |                   | h1                    | mm              | 1982 | 2132      | 2332 | 1982 | 2182 | 2322 |
| Free Lift                                    |  | h2                  | mm                | -                     | -               | -    | 870       | 1070 | 1210 | 1370 |      |
| Lift Height                                  |  | h3                  | mm                | 2840                  | 3140            | 3540 | 3940      | 4540 | 4940 | 5440 |      |
| Extended Mast Height                         |  | h4                  | mm                | 3952                  | 4252            | 4652 | 5052      | 5652 | 6052 | 6552 |      |
| Tilt of fork carriage forward/backward       |  | $\alpha/\beta$      | °                 | 2 / 4                 |                 |      |           |      |      |      |      |
| Height of tiller in drive position min./max. |  | h14                 | mm                | Min. 1200 / Max. 1420 |                 |      |           |      |      |      |      |
| Height, Lowered                              |  | h13                 | mm                | 64                    |                 |      |           |      |      |      |      |
| Overall Length                               |  | l1                  | mm                | 2585                  |                 |      | 2554      |      |      |      |      |
| Length to Face of Forks                      |  | l2                  | mm                | 1435                  |                 |      | 1404      |      |      |      |      |
| Overall Width                                |  | b1/b2               | mm                | 920/ (1077/1482)      |                 |      |           |      |      |      |      |
| Forks Dimensions                             |  | s/e/l               | mm                | 35/100/1150           |                 |      |           |      |      |      |      |
| Performance                                  |  | Reach Stroke        |                   | l4                    | mm              | 570  |           |      |      |      |      |
|  | Width across Forks                               |                     | b5                | mm                    | 200-760         |      |           |      |      |      |      |
|  | Ground Clearance, Center of Wheelbase            |                     | m2                | mm                    | 50              |      |           |      |      |      |      |
|  | Aisle width for pallet 800 x 1200 lengthways     |                     | Ast               | mm                    | 2856            |      |           | 2828 |      |      |      |
|  | Aisle width for pallet 1000 x 1200 crossways     |                     | Ast               | mm                    | 2812            |      |           | 2791 |      |      |      |
|  | Turning Radius                                   |                     | Wa                | mm                    | 1770            |      |           |      |      |      |      |
|  | Travel Speed (Laden, Unladen)                    |                     |                   | km/h                  | 7,0/7,0         |      |           |      |      |      |      |
|  | Lifting Speed (Laden/Unladen)                    |                     |                   | m/s                   | 0,12/0,19       |      |           |      |      |      |      |
|  | Lowering Speed (Laden/Unladen)                   |                     |                   | m/s                   | 0,17/0,15       |      |           |      |      |      |      |
|  | Reach Speed (Laden/Unladen)                      |                     |                   | m/s                   | 0,15/0,16       |      |           |      |      |      |      |
|  | Max Gradeability (Laden, Unladen)                |                     |                   | %                     | 6 / 10          |      |           |      |      |      |      |
|  | Service Brake                                    |                     |                   |                       | Electromagnetic |      |           |      |      |      |      |
| Battery                                      | Battery Type                                     |                     |                   | A, 4Pzs               |                 |      |           |      |      |      |      |
|  | Battery Capacity                                 |                     | V / Ah            | 24 / 400              |                 |      |           |      |      |      |      |
|  | Battery Weight                                   |                     | kg                | 380                   |                 |      |           |      |      |      |      |



1) Platform Type: l1, l2 =+100, Wa/Ast=+100.

# High Level Order Picker BOP15S-9

|                |                        |  |               |                            |                      |             |
|----------------|------------------------|--|---------------|----------------------------|----------------------|-------------|
| General        | 1.2                    | Model  | BOP15S-9      |                            |                      |             |
|                | 1.3                    | Power Voltage                                | V             | 24                         |                      |             |
|                | 1.4                    | Drive  | AC Motor      |                            |                      |             |
|                | 1.5                    | Type of Operation                            | Order Picker  |                            |                      |             |
|                | 1.6                    | Load Capacity / Rated Load                   | lb(kg)        | 3000 (1360)                |                      |             |
|                | 1.7                    | Load Center Distance                         | in(mm)        | 24 (610)                   |                      |             |
|                | 1.8                    | Wheelbase                                    | in(mm)        | 57.1 (1450)                |                      |             |
|                | 2.1                    | Service Weight /wo Battery                   | lb(kg)        | 6237 (2829)                |                      |             |
| Tires          | 3.1                    | Tyres  | Poly          |                            |                      |             |
|                | 3.2                    | Tyre Size, Rear (Load)                       | in(mm)        | 6x2.8 (152x70)             |                      |             |
|                | 3.3                    | Tyre Size, Front (Drive)                     | in(mm)        | 13x5.5 (330x140)           |                      |             |
|                | 3.4                    | Wheels, number front/rear(x = driven wheels) | Drive/Load    | 1x / 4                     |                      |             |
| Dimensions     | 4.1                    | Lowered Mast Height                          | in(mm)        | 95.3(2420)                 | 105.3 (2675)         | 116.3(2955) |
|                | 4.2                    | Maximum Fork Height                          | in(mm)        | 210(5330)                  | 240 (6100)           | 273(6940)   |
|                | 4.3                    | Extended Mast Height                         | in(mm)        | 269.7(7535)                | 327 (8305)           | 360(9145)   |
|                | 4.4                    | Standard Fork Length                         | in(mm)        | 42 (1065)                  |                      |             |
|                | 4.5                    | Length to Face of Forks                      | in(mm)        | 78 (1982)                  |                      |             |
|                | 4.6                    | Overall Width (Chassis)                      | in(mm)        | 40 (1016)                  |                      |             |
|                | 4.7                    | Baseleg Overall Width                        | in(mm)        | 42(1065)                   | 42 (1065)            | 48(1219)    |
|                | 4.8                    | Standard Fork Dimensions (L x W x T)         | in(mm)        | 42x4x2 (1065x100x50)       |                      |             |
|                | 4.9                    | Width Over Forks                             | in(mm)        | 22/30 (570/762)            |                      |             |
|                | 4.10                   | Width Over Guide Rollers (Min / Max)         | in(mm)        | 47.5~65.2 (1206~1657)      | 53.5~71.2(1359~1808) |             |
|                | 4.11                   | Ground Clearance, Center of Wheelbase        | in(mm)        | 2 (52)                     |                      |             |
|                | 4.12                   | Turning Radius                               | in(mm)        | 67.8 (1722)                |                      |             |
|                | 4.13                   | Fork height when fully lowerd                | in(mm)        | 3 (75)                     |                      |             |
|                | 4.14                   | Operator Compartment Height                  | in(mm)        | 79 (2008)                  |                      |             |
|                | 4.15                   | Driver Compartment Length                    | in(mm)        | 26.7 (679)                 |                      |             |
|                | 4.16                   | Top of fork to floor height                  | in(mm)        | 5.2 (132)                  |                      |             |
|                | 4.17                   | Side Gate Height                             | in(mm)        | 39.5 (1003)                |                      |             |
|                | 4.18                   | Maximum Battery Compartment (L x W x H)      | in(mm)        | 13,2x35x32,3 (335x890x820) |                      |             |
| Performance    | 5.1                    | Travel Speed, Loaded / Unloaded              | mph(km/h)     | 7.5/7.5 (12/12)            |                      |             |
|                | 5.2                    | Lift Speed, Loaded / Unloaded                | fpm(m/s)      | 45/67 (0.23/0.34)          |                      |             |
|                | 5.3                    | Lowering Speed, Loaded / Unloaded            | fpm(m/s)      | 80/80 (0.40/0.40)          |                      |             |
|                | 5.4                    | Service Brake                                | Regenerative  |                            |                      |             |
|                | 5.5                    | Parking Brake                                | Electric Disc |                            |                      |             |
| Motor, Battery | 6.1                    | Drive Motor Rating S2 60min                  | hp(kW)        | 5.8 (4.3)                  |                      |             |
|                | 6.2                    | Lift Motor Rating S3 15%                     | hp(kW)        | 14.7 (11)                  |                      |             |
|                | 6.3                    | Steering Rating S3 15%                       | hp(kW)        | 1.1 (0.85)                 |                      |             |
|                | 6.4                    | Standard Battery Connector                   | SB350 Red     |                            |                      |             |
|                | Minimum battery weight | lb(kg)                                       | 1413 (641)    |                            |                      |             |



| Mast | Max. Fork Height | Mast Lowered Height | Extended Height | Free Lift | Load Capacities LC 610mm |
|------|------------------|---------------------|-----------------|-----------|--------------------------|
|      | mm               | mm                  | mm              | mm        | kg                       |
| FFT  | 5330             | 2420                | 7535            | 155       | 1360                     |
|      | 6100             | 2675                | 8305            | 410       | 1360                     |
|      | 6940             | 2955                | 9145            | 760       | 910                      |



## Stand-up Rider

Controlled by an upright operator up is perfect for work in warehouses, compact spaces and containers, but also on rough surfaces thanks to its low step height, competitive turning radius, and 18" drive tires.

This industrial vehicle is the best choice to ensure the highest level of productivity and convenience with specifications that guarantee powerful performance and prominent durability, in addition to a variety of stylish designs and convenience features.



### Stand up Rider

- 1.5T-2.0T
- ⚡ 36V
- B15/18/20SU-9

# Stnad-up Rider B15/18/20SU-9

| General        | 1.2    | Model  | B15SU-9   |           | B18SU-9                                 |   | B20SU-9                                 |   |   |  |
|----------------|--------|--|-----------|-----------|---|---|---|---|---|--|
|                | 1.3    | Drive : electric(battery or mains) ,diesel, petrol ,fuel gas, manual | Electric  |           | Electric                                |   | Electric                                |   |   |  |
| Tires          | 1.5    | Load capacity/rated load   | lb(kg)    | Q         | 3,000(1,360)                            |   | 3,500(1,580)                            |   | 4,000(1,810)                            |  |
|                | 1.6    | Load centre distance   | in(mm)    | c         | 24(610)                                 |   | 24(610)                                 |   | 24(610)                                 |  |
|                | 1.8    | Load distance, centre of drive axle to fork                          | in(mm)    | x         | 12,6(320)                               |   | 12,6(320)                               |   | 12,6(320)                               |  |
|                | 1.9    | Wheelbase  | in(mm)    | y         | 43,9(1,115)                             | 45,7(1,160)                             | 45,7(1,160)                             | 48,0(1,220)                             | 48,0(1,220)                             |  |
| Dimensions     | 2.1    | Service weight (with min. weight of battery)                         | lb(kg)    |           | 8,620(3,910)                            | 8,212(3,725)                            | 8,940(4,055)                            | 8,995(4,080)                            | 9,325(4,230)                            |  |
|                | 2.2    | Axle loading, loaded front/rear                                      | lb(kg)    |           | 10,070/1,550<br>(4,570/700)             | 10,050/1,160<br>(4,560/525)             | 11,005/1,435<br>(4,990/645)             | 11,000/1,495<br>(4,990/670)             | 11,955/1,370<br>(5,425/615)             |  |
| Performance    | 4.1    | Tilt of mast/fork carriage forward (α)/backward(β)                   | deg       | α / β     | 5 / 5                                   |   | 5 / 5                                   |   | 5 / 5                                   |  |
|                | 4.2    | Height, mast lowered   | in(mm)    | h1        | 83,7(2,125)                             |   | 83,7(2,125)                             |   |   |  |
|                | 4.3    | Free lift  | in(mm)    | h2        | 36,4(925)                               |   | 36,4(925)                               |   |   |  |
|                | 4.4    | Lift (with FFT 3-stage mast)   | in(mm)    | h3        | 190(4,825)                              |   | 190(4,825)                              |   |   |  |
|                | 4.5    | Height, mast extended  | in(mm)    | h4        | 238,6(6,060)                            |   | 238,6(6,060)                            |   |   |  |
|                | 4.7    | Height to top of overhead guard                                      | in(mm)    | h6        | 88(2,235)                               |   | 88(2,235)                               |   |   |  |
|                | 4.19   | Overall length   | in(mm)    | l1        | 107,5(2,725)                            | 109,0(2,765)                            | 109,0(2,765)                            | 111,5(2,830)                            | 111,5(2,830)                            |  |
|                | 4.20   | Length to face of forks  | in(mm)    | l2        | 66,0 (1,675)                            | 67,5 (1,715)                            | 67,5 (1,715)                            | 70,0 (1,780)                            | 70,0 (1,780)                            |  |
|                | 4.21   | Overall width  | in(mm)    | b1        | 42(1,070)                               |   | 42(1,070)                               |   | 42(1,070)                               |  |
|                | 4.22   | Fork dimensions  | mm(in)    | s / e / l | 1,4x3,9x41,3<br>(35x100x1,050)          |   | 1,4x3,9x41,3<br>(35x100x1,050)          |   | 1,5x3,9x41,3<br>(40x100x1,050)          |  |
|                | 4.24   | Fork carriage width  | in(mm)    | b3        | 38(973)                                 |   | 38(973)                                 |   | 38(973)                                 |  |
|                | 4.24a  | Fork Spacing (min/max)   | in(mm)    |           | 9,4/35,5 (240/905)                      |   | 9,4/35,5 (240/905)                      |   | 9,4/35,5 (240/905)                      |  |
|                | 4.31   | Ground clearance, with load, below mast                              | in(mm)    | m1        | 2,5(70)                                 |   | 2,5(70)                                 |   | 2,5(70)                                 |  |
|                | 4.32   | Ground clearance, centre of wheelbase                                | in(mm)    | m2        | 4(102)                                  |   | 4(102)                                  |   | 4(102)                                  |  |
| Motor, Battery | 4.34.1 | Aisle width for pallets 1000 x 1200 crossways                        | in(mm)    | Ast       | 118(3,009)                              | 120(3,052)                              | 120(3,052)                              | 122(3,110)                              | 122(3,110)                              |  |
|                | 4.34.1 | Aisle width for pallets 800 x 1200 lengthways                        | in(mm)    | Ast       | 123(3,131)                              | 125(3,174)                              | 125(3,174)                              | 127(3,232)                              | 127(3,232)                              |  |
|                | 4.35   | Turning radius   | in(mm)    | Wa        | 53,5(1,360)                             | 55,2(1,400)                             | 55,2(1,400)                             | 57,5(1,460)                             | 57,5(1,460)                             |  |
|                | 4.36   | Internal turning radius  | in(mm)    | b13       | 0                                       |   | 0                                       |   | 0                                       |  |
|                | 5.1    | Travel speed, loaded / unloaded                                      | mph(km/h) |           | 7,5 / 7,5 (12,0 / 12,0)                 |   | 7,5 / 7,5 (12,0 / 12,0)                 |   | 7,5 / 7,5 (12,0 / 12,0)                 |  |
| Motor, Battery | 5.2    | Lift speed, loaded / unloaded  | fpm(mm/s) |           | 65 / 110 (330 / 560)                    |   | 60 / 110 (305 / 560)                    |   | 55 / 110 (280 / 560)                    |  |
|                | 5.3    | Lowering speed, loaded / unloaded                                    | fpm(mm/s) |           | 98 / 88 (500 / 450)                     |   | 98 / 88 (500 / 450)                     |   | 98 / 88 (500 / 450)                     |  |
|                | 5.6    | Maximum drawbar pull, loaded / unloaded, 5 minute rating             | lb(N)     |           | 1,724(7,664)                            | 1,660(7,380)                            | 1,843(8193)                             | 1,843(8193)                             | 1,973(8,770)                            |  |
|                | 5.8    | Maximum gradeability, loaded / unloaded, 5 minute rating             | %(deg)    |           | 15 / (8,5 /)                            |   | 15 / (8,5 /)                            |   | 15 / (8,5 /)                            |  |
|                | 6.1    | Drive motor rating S2 60 minute                                      | hp(kW)    |           | 6,0(4,5)                                |   | 6,0(4,5)                                |   | 6,0(4,5)                                |  |
| Motor, Battery | 6.2    | Lifting motor rating at S3 15%                                       | hp(kW)    |           | 12,1(9,0)                               |   | 12,1(9,0)                               |   | 12,1(9,0)                               |  |
|                | 6.4    | Battery voltage/nominal capacity K5                                  | V / Ah    |           | 36 / 930                                | 36 / 1,085                              | 36 / 1,085                              | 36 / 1,240                              | 36 / 1,240                              |  |
|                | 6.5    | Battery weight (min)   | lb(kg)    |           | 1,995(905)                              | 2,280(1,035)                            | 2,280(1,035)                            | 2,600(1,180)                            | 2,600(1,180)                            |  |
|                |        | Battery compartment* L/W/H   | in(mm)    |           | 16,5 / 38,9 / 31,0<br>(419 / 988 / 787) | 18,2 / 38,9 / 31,0<br>(462 / 988 / 787) | 18,2 / 38,9 / 31,0<br>(462 / 988 / 787) | 20,5 / 38,9 / 31,0<br>(521 / 988 / 787) | 20,5 / 38,9 / 31,0<br>(521 / 988 / 787) |  |

## B15SU-9

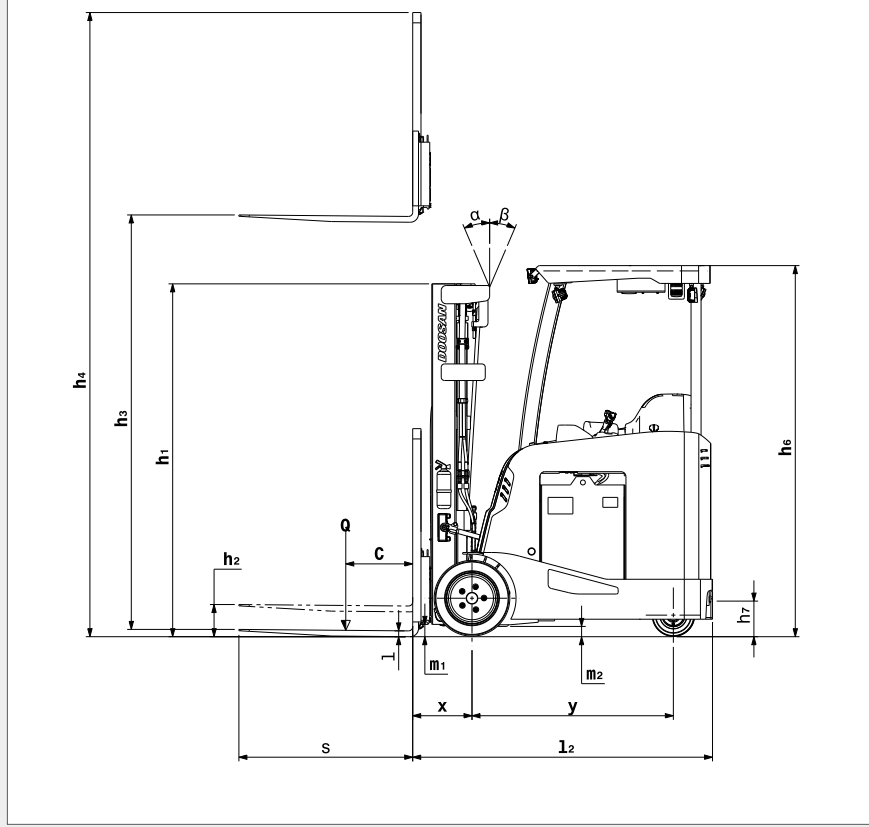
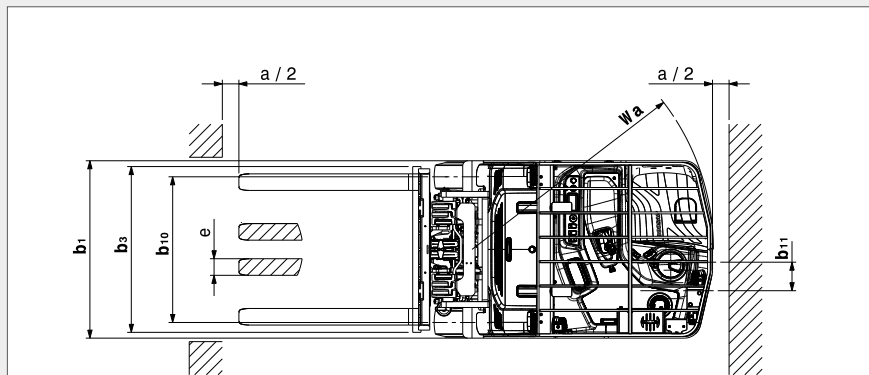
| Mast type | Battery compartment |     | Max. Fork Height |      | Mast Lowered Height |      | Extended Height |      | Free Lift |      | Tilt Angle |         | Load Capacities |                   |
|-----------|---------------------|-----|------------------|------|---------------------|------|-----------------|------|-----------|------|------------|---------|-----------------|-------------------|
|           | in                  | mm  | in               | mm   | in                  | mm   | in              | mm   | in        | mm   | Fwd deg    | Bwd deg | LC 500mm kg     | LC 24" (610mm) lb |
| FFT       | 16.5                | 419 | 157.5            | 4000 | 72.8                | 1850 | 206.1           | 5235 | 25.6      | 650  | 5          | 5       | 1500            | 3000              |
|           |                     |     | 190.0            | 4825 | 83.7                | 2125 | 238.6           | 6060 | 36.4      | 925  | 5          | 5       | 1500            | 3000              |
|           |                     |     | 204.7            | 5200 | 88.6                | 2250 | 253.3           | 6435 | 41.3      | 1050 | 5          | 5       | 1300            | 3000              |
|           |                     |     | 218.5            | 5550 | 93.1                | 2365 | 266.9           | 6780 | 45.9      | 1165 | 5          | 5       | 1225            | 2900              |
| FFT       | 18.2                | 462 | 237.0            | 6020 | 100.4               | 2550 | 285.6           | 7255 | 53.1      | 1350 | 5          | 5       | 1125            | 2650              |
|           |                     |     | 157.5            | 4000 | 72.8                | 1850 | 206.1           | 5235 | 25.6      | 650  | 5          | 5       | 1500            | 3000              |
|           |                     |     | 190.0            | 4825 | 83.7                | 2125 | 238.6           | 6060 | 36.4      | 925  | 5          | 5       | 1425            | 2850              |
|           |                     |     | 204.7            | 5200 | 88.6                | 2250 | 253.3           | 6435 | 41.3      | 1050 | 5          | 5       | 1375            | 2750              |
| FFT       | 18.2                | 462 | 218.5            | 5550 | 93.1                | 2365 | 266.9           | 6780 | 45.9      | 1165 | 5          | 5       | 1325            | 2700              |
|           |                     |     | 237.0            | 6020 | 100.4               | 2550 | 285.6           | 7255 | 53.1      | 1350 | 5          | 5       | 1250            | 2550              |

## B18SU-9

| Mast type | Battery compartment |     | Max. Fork Height |      | Mast Lowered Height |      | Extended Height |      | Free Lift |      | Tilt Angle |         | Load Capacities |                   |
|-----------|---------------------|-----|------------------|------|---------------------|------|-----------------|------|-----------|------|------------|---------|-----------------|-------------------|
|           | in                  | mm  | in               | mm   | in                  | mm   | in              | mm   | in        | mm   | Fwd deg    | Bwd deg | LC 500mm kg     | LC 24" (610mm) lb |
| FFT       | 18.2                | 462 | 157.5            | 4000 | 72.8                | 1850 | 206.1           | 5235 | 25.6      | 650  | 5          | 5       | 1800            | 3500              |
|           |                     |     | 190.0            | 4825 | 83.7                | 2125 | 238.6           | 6060 | 36.4      | 925  | 5          | 5       | 1525            | 3400              |
|           |                     |     | 204.7            | 5200 | 88.6                | 2250 | 253.3           | 6435 | 41.3      | 1050 | 5          | 5       | 1375            | 3200              |
|           |                     |     | 218.5            | 5550 | 93.1                | 2365 | 266.9           | 6780 | 45.9      | 1165 | 5          | 5       | 1275            | 3000              |
| FFT       | 20.5                | 520 | 237.0            | 6020 | 100.4               | 2550 | 285.6           | 7255 | 53.1      | 1350 | 5          | 5       | 1150            | 2750              |
|           |                     |     | 157.5            | 4000 | 72.8                | 1850 | 206.1           | 5235 | 25.6      | 650  | 5          | 5       | 1800            | 3500              |
|           |                     |     | 190.0            | 4825 | 83.7                | 2125 | 238.6           | 6060 | 36.4      | 925  | 5          | 5       | 1600            | 3500              |
|           |                     |     | 204.7            | 5200 | 88.6                | 2250 | 253.3           | 6435 | 41.3      | 1050 | 5          | 5       | 1400            | 3300              |
| FFT       | 20.5                | 520 | 218.5            | 5550 | 93.1                | 2365 | 266.9           | 6780 | 45.9      | 1165 | 5          | 5       | 1300            | 3100              |
|           |                     |     | 237.0            | 6020 | 100.4               | 2550 | 285.6           | 7255 | 53.1      | 1350 | 5          | 5       | 1200            | 2850              |

## B20SU-9

| Mast type | Battery compartment |     | Max. Fork Height |      | Mast Lowered Height |      | Extended Height |      | Free Lift |      | Tilt Angle |         | Load Capacities |                   |
|-----------|---------------------|-----|------------------|------|---------------------|------|-----------------|------|-----------|------|------------|---------|-----------------|-------------------|
|           | in                  | mm  | in               | mm   | in                  | mm   | in              | mm   | in        | mm   | Fwd deg    | Bwd deg | LC 500mm kg     | LC 24" (610mm) lb |
| FFT       | 20.5                | 520 | 157.5            | 4000 | 72.8                | 1850 | 206.3           | 5240 | 25.6      | 650  | 5          | 5       | 2000            | 4000              |
|           |                     |     | 190.0            | 4825 | 83.7                | 2125 | 238.8           | 6065 | 36.4      | 925  | 5          | 5       | 1600            | 3750              |
|           |                     |     | 204.7            | 5200 | 88.6                | 2250 | 253.5           | 6440 | 41.3      | 1050 | 5          | 5       | 1425            | 3350              |
|           |                     |     | 218.5            | 5550 | 93.1                | 2365 | 267.1           | 6785 | 45.9      | 1165 | 5          | 5       | 1350            | 3200              |
| FFT       | 20.5                | 520 | 237.0            | 6020 | 100.4               | 2550 | 285.8           | 7260 | 53.1      | 1350 | 5          | 5       | 1250            | 2900              |



## Reach Truck



**Reach Truck, Standing Type**  
■ 1.3T-2.5T  
▼ 36V  
BR13/15/18/20/25S-9



**Reach Truck, Pantograph Type**  
■ 1.8T-2.0T  
▼ 36V  
BR18/20SP-7 PLUS

## Reach Truck

The electric reach truck is optimized for both loading and driving and enables the operator to control the truck flawlessly through its continuous smooth and refined movements.

Its various ergonomic features also help to significantly reduce the causes of operator fatigue. Because the exceptional visibility is designed to assist the operator, the vehicle can carry out the work more easily and safely.

The Doosan AC control system ensures powerful performance and unrivalled credibility.

The performance of the equipment is adaptable to customer needs, resulting in maximum vehicle uptime and customer satisfaction.







## Doosan Corporation Industrial Vehicle

Products and specifications are subject to change without prior notice.

[www.doosan-iv.com](http://www.doosan-iv.com)

2020 April