

Platform Pallet Truck **BPPE**

Ergonomic Handle

Reduces operator's fatigue.

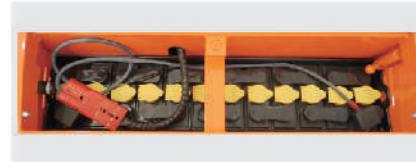


Hour Meter / BDI

Keeps track of hours used and reserves battery power at a glance.



Industry Battery and Locker



Foldable Platform with Speed Sensor

Aids productivity in long distance applications without compromising maneuverability.



Pallet Entry Rollers

Eases pallet entry and exit.



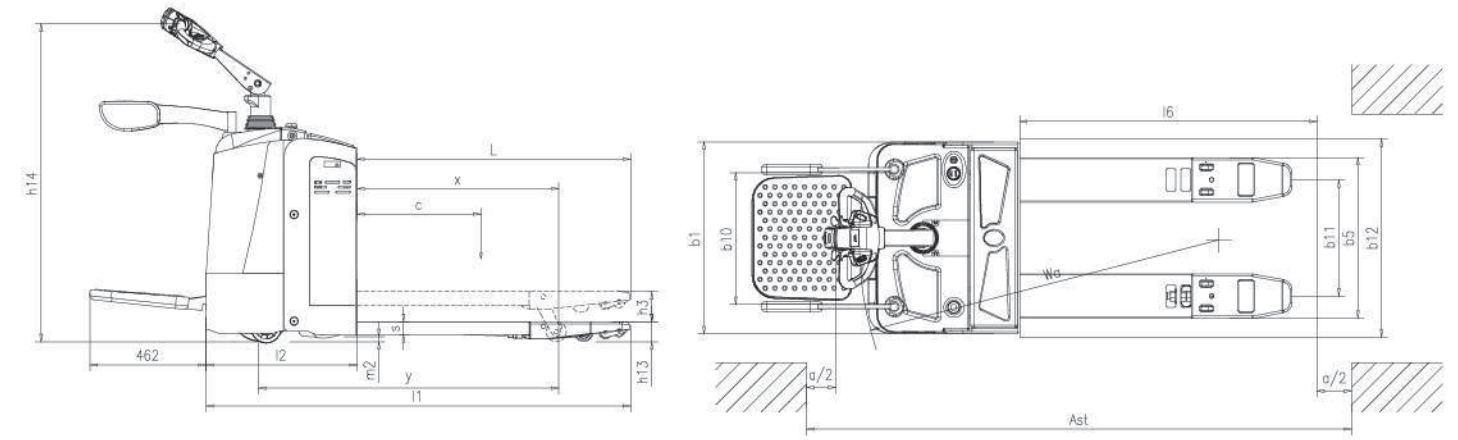
Poly Drive Tire

Provides longer tire life and has lower energy consumption versus a rubber tire.



One-piece High Tensile Steel Forks

Are formed into a C-channel and reinforced in critical areas.



Specification

Characteristics			
1	Doosan name		BPPE20S-7
2	Drive type		electric
3	Operation type		standing
4	Load capacity	kg	2000
5	Load centre distance	c mm	600
6	Wheelbase	y mm	1211/1261/1331
Chassis			
7	Tyres		polyurethane
8	Wheels, number front rear(x = driven wheels)		1X+2/2
Dimensions			
9	Max. lift height	h3 mm	200
10	Overall length	l1 mm	1710/1760/1830
11	Overall width	b1 mm	775
12	Fork dimensions	s/e/l mm	53X180X1100(1150/1220)
13	Width overall forks	b5 mm	520/550/650/685
14	Aisle width for pallets 1000×1200(1200crossways)	Ast mm	1910/1960/2030
15	Aisle width for pallets 800×1200(1200lengthways)	Ast mm	2010/2010/2030
Performance			
16	Turning radius	Wa mm	1550/1600/1670
17	Travel speed, laden/unladen	km/h	7/7.1
18	Lift speed, laden/unladen	mm/s	0.039/0.056
19	Lowering speed, laden/unladen	mm/s	0.064/0.050
20	Max. gradeability, laden/unladen	%	8/20
21	Service brake		Electro magnetic
22	Battery voltage/nominal capacity	v/Ah	24/210
23	Drive motor rated output	kW	1.2
24	Battery department size	mm	750x170x534

* Specifications and dimensions of vehicles may change without notice for quality improvement, and images shown in this catalogue may differ with actual ones.